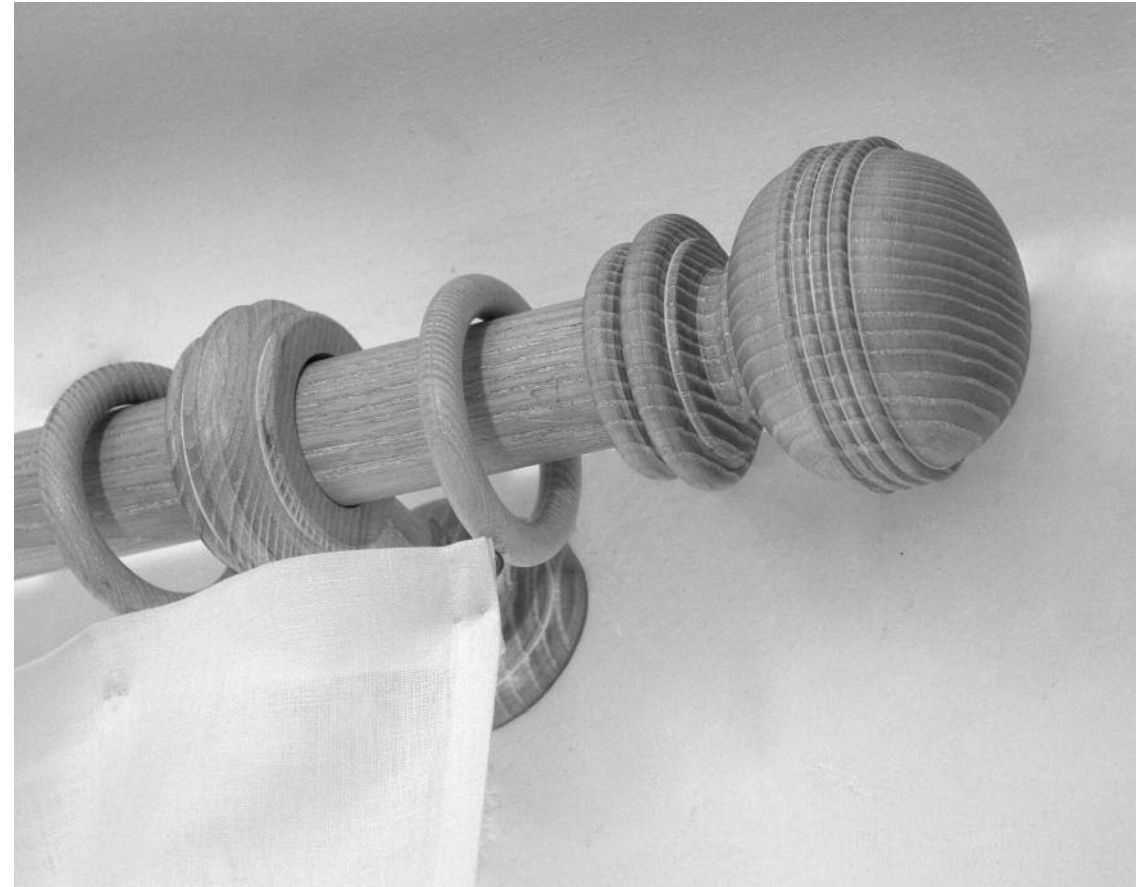


Decorative | Installation Guide



For the most up to date information, please visit our website:
www.bradleycollection.com

For order enquires please email us at:
info@bradleycollection.com

EUROPEAN ENQUIRIES:
The Bradley Collection Ltd.
Lion Barn Maitland Road
Needham Market Suffolk
IP6 8NS UK

Telephone +44 (0)845 118 7224
Facsimile +44 (0)845 118 7228

WORLD ENQUIRIES:
The Bradley Collection Inc.
3455 S. La Cienega Boulevard Suite A
Los Angeles California
90016 USA

Telephone +1 (310) 815 8255
Facsimile +1 (310) 815 9255



Products are protected by Design
right, under the provisions of
Copyright, Designs and Patents
Act 1988.

© copyright 2009

the **bradley** collection

Decorative | Installation Guide

Contents

- 1 Checking your order
- 2 Fixings / Tools
- 3 Component positioning
- 4 Installation
- 5 Finials / Joins / Rings / Care

Thank you for your bespoke order.

Before fitting this product please ensure that you have thoroughly read this install guide. We have taken every care to design and manufacture a quality system; incorrect installation could lead to poor performance.

If any queries arise when reviewing these instructions or during installation please feel free to contact us for assistance. We will be glad to talk you through the process.

Checking the order

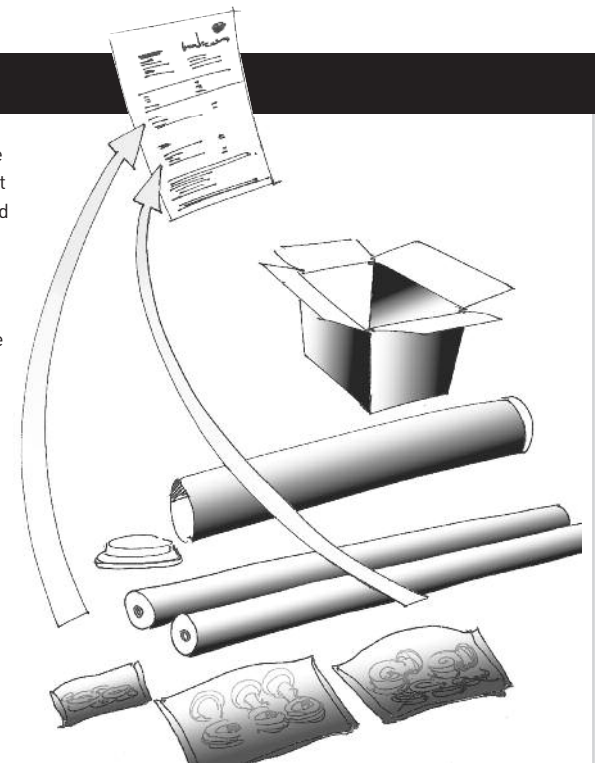
The order has been packed in accordance with the way in which it was specified. If it was ordered in multiples, it will be packed as such. If your order was specified room by room, it will be packed in the same manner.

Open all the boxes and tubes and compare them to the packing list. Your ordering method will have been used on all packing. For example: Room 1 on the packing list will correspond to Room 1 on the poles and bagged components.

Please take a few minutes to check your order

Group each component and pole set as marked on the packing. Use the delivery note to check that all parts have arrived. If this is a multi-pole order, make sure components are kept in their correct grouping.

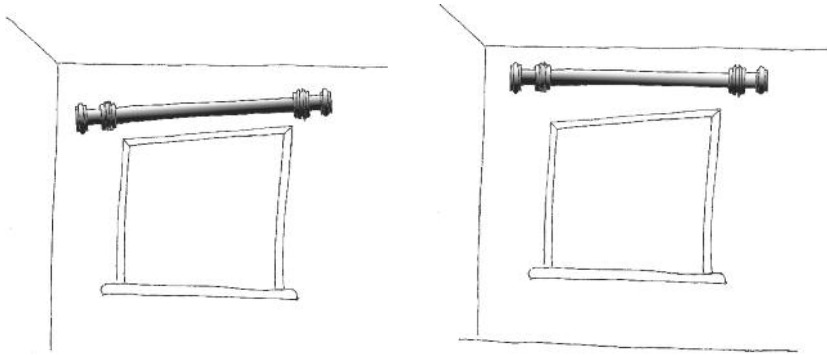
Please note that the gloves enclosed have been provided to protect the pole from marking during installation.



Installation

Due to the varying wall and ceiling combinations we are unable to supply instructions for every type of installation.

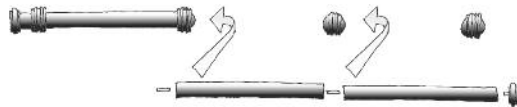
You may wish to mount the pole level to the window frame, floor or ceiling; these may not be true to a spirit level – Consider this before fixing your system in place.



There are two basic methods by which to install a system: section by section or as a whole.

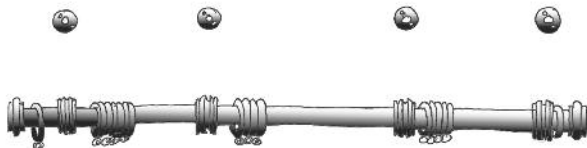
1 Section Method

The section method is mainly used on longer multiple section systems whereby one section is fitted to the wall and then the next is added.



2 Whole Method

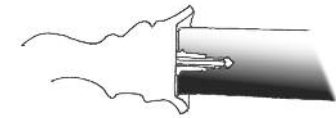
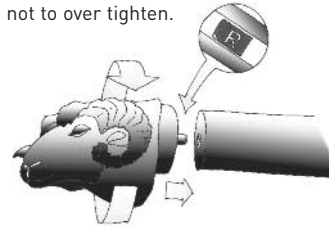
This method involves combining all pole sections on the floor and then installing the system at once. This method usually requires two or more people to install.



Finials

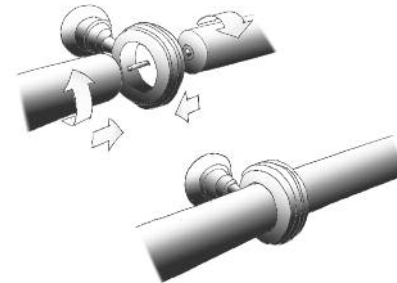
Finials are screwed into place. Make sure not to over tighten.

All handed finials are labelled **left** or **right**.

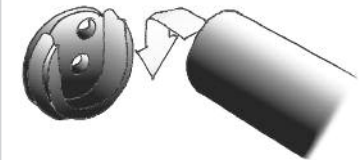


Joining Poles

Poles are connected by screwing together the double head threaded screw provided. Once connected, a set screw is tightened at the top of the bracket to lock the pole into place.



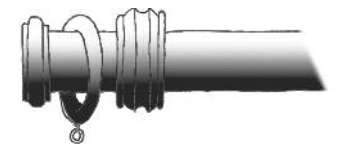
Recess Brackets



Drop pole into place when using a recess bracket and lock by tightening the set screw.

Rings

Rings should be loaded prior to placing the poles in the brackets.



Care

Never use a chlorine based cleaner on a Bradley product.

We recommend caution if very light coloured fabrics are likely to come into contact with the Graphite finish as this finish can mark.