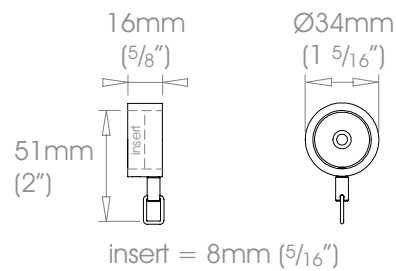


19mm (3/4") single bracket - recess

part number **SSBRSR19**

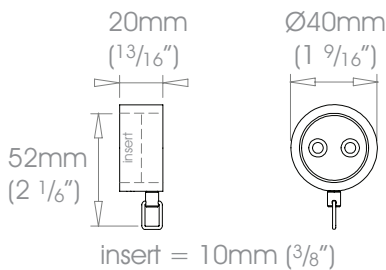
weight 30g (1oz)



25mm (1") single bracket - recess

part number **SSBRSR25**

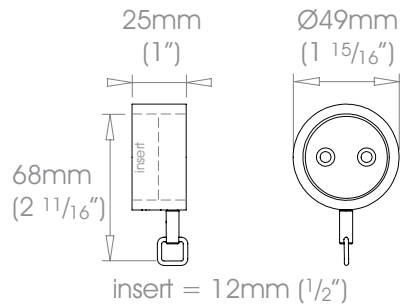
weight 50g (2oz)



30mm (1 3/16") single bracket - recess

part number **SSBRSR30**

weight 88g (3oz)



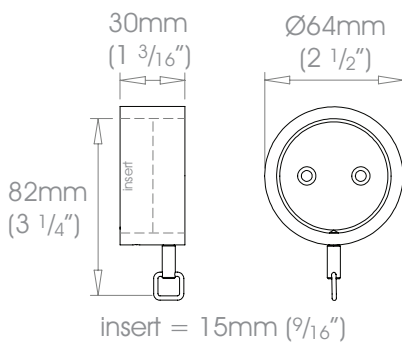
38mm (1 1/2") single bracket - recess

part number **SSBRSR38**

weight 159g (5.6oz)

**colour finish number** add selected finish number to the above part number  
brushed - 068 • shot+ - 069

+ a handling charge per order will apply **shot finish - important handling information** - please note that this is a delicate surface finish that requires careful handling.



50mm (2") single bracket - recess

part number **SSBRSR50**

weight 314g (11oz)

colour finish number add selected finish number to the above part number  
brushed - 068 • shot+ - 069

+ a handling charge per order will apply **shot finish – important handling information** - please note that this is a delicate surface finish that requires careful handling.