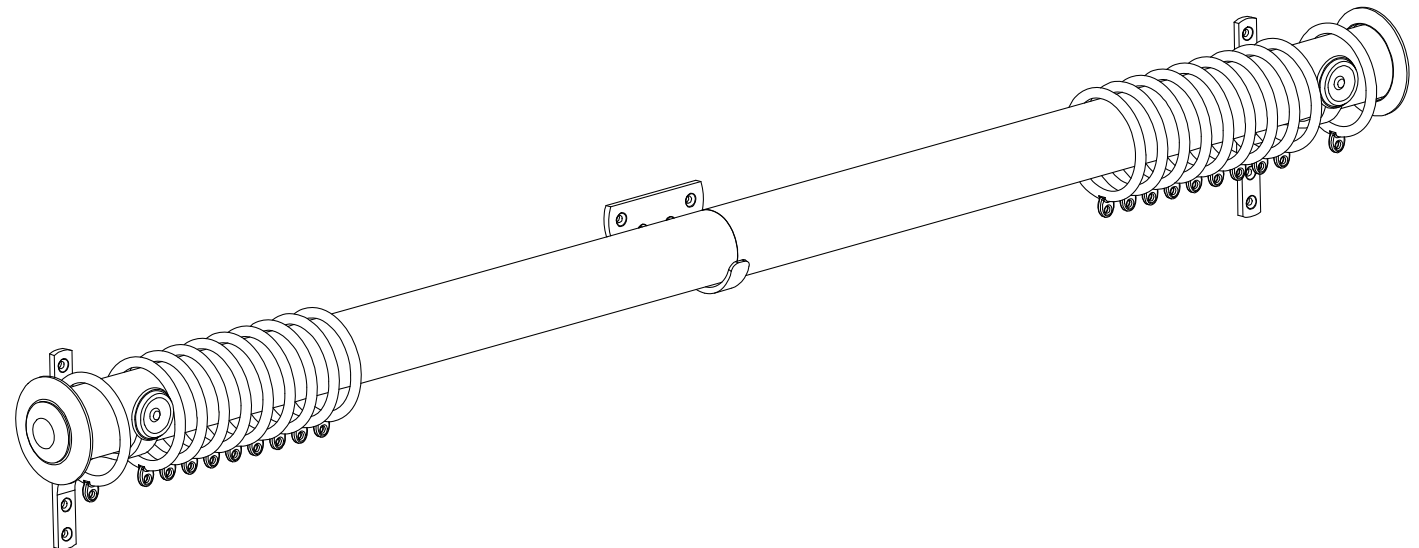




the **bradley** collection

DECO

Installation Instructions



CONTACT

Web www.bradleycollection.com

Email info@bradleycollection.com

Follow     

WORLD

The Bradley Collection Ltd
Lion Barn • Maitland Road
Needham Market • Suffolk
IP6 8NS • UK

Telephone +44 (0)1449 722 724

Fax +44 (0)1449 722 728

USA & Canada

The Bradley Collection Inc.
3625 Hayden Avenue, Suite E
Culver City • CA • 90232 • USA

Telephone +1 (310) 815 8255

Fax +1 (310) 815 9255

DECO

Installation Instructions

THANK YOU FOR YOUR ORDER

Before fitting this product please ensure that you have thoroughly read these instructions.

We have taken every care to design and manufacture a quality system; incorrect installation could lead to poor performance.

If any queries arise when reviewing these instructions or during installation please feel free to contact us for assistance. We will be glad to talk you through the process.

Please retain these instructions for future reference.

CONTACT

Web www.bradleycollection.com

Email info@bradleycollection.com

World +44 (0)1449 722 724

USA & Canada +1 (310) 815 8255

Follow     

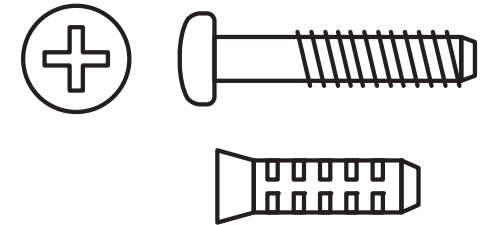
Fixings

As a courtesy we have supplied a set of fixings for the system.

These screws and wall plugs are designed to be used in wood and brick walls. We understand our systems may be used on a variety of materials; drywall, aluminium and steel stud, or lath and plaster.

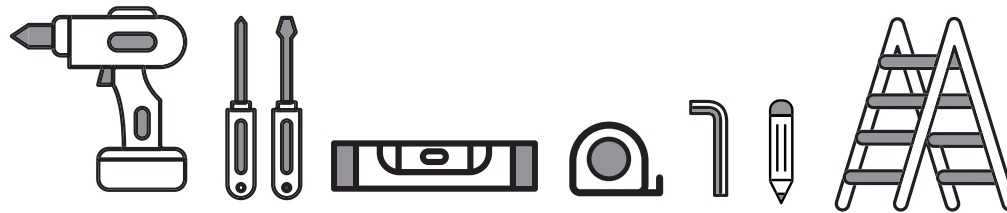
To properly secure a system onto these or other types of surfaces; appropriate fixings must be independently obtained.

! Assess your own wall construction and source the appropriate screw type.
! Please note that the enclosed fixings may not be suitable for all wall types.



Tools

For the installation of the system the following items may be required.

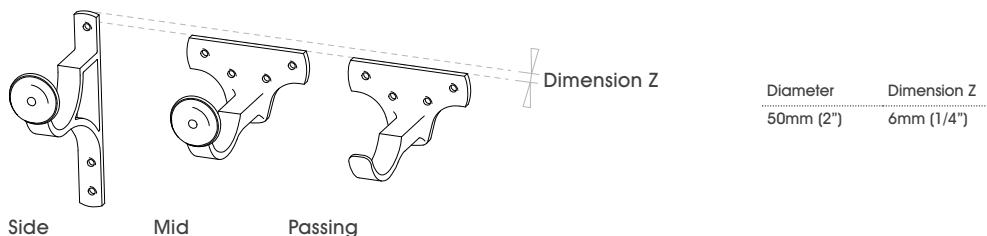


Bracket positioning and fixing

Side brackets should be positioned approximately 100mm (4") in from the end of the pole.

Single Brackets

To align the brackets, the top of the passing brackets should be fitted below the top of the side brackets. (see dimension Z)



Care & Maintenance

This pole can be cleaned using a soft cloth and furniture polish.

Polished and Aged Brass finishes are supplied unlacquered and will tarnish over time.

The finish can be restored to a polished state by using a soft cloth and brasso.

! Please do not use any solvent or chlorine based cleaners as this will damage the finish.

METAL POLE - WALL FIX

Fitting Rings and Pole

Slide the curtain rings on to the pole, allowing approximately one ring for every 100mm (4").

Keep aside two rings, one for the outside of each end of the bracket.

Place the pole on the brackets, making sure that the overhangs at each end are equal. If the pole is made of two connected lengths, the bracket should cover the join.

Tighten the thumb wheel to secure the pole.

Joining the pole

Poles are supplied pre-cut to your specified lengths, in some cases the pole may be made in two or more parts, joined by a connector.

Push the joiner into the pole ends and push the poles together. Tighten the set screws at the back of the pole.

Finials

Attach the finials by pushing them into position and tightening the set screws at the back of the pole.

Bracket Positioning & Fixing

Side brackets should be positioned approximately 100mm (4") from the ends of the pole.

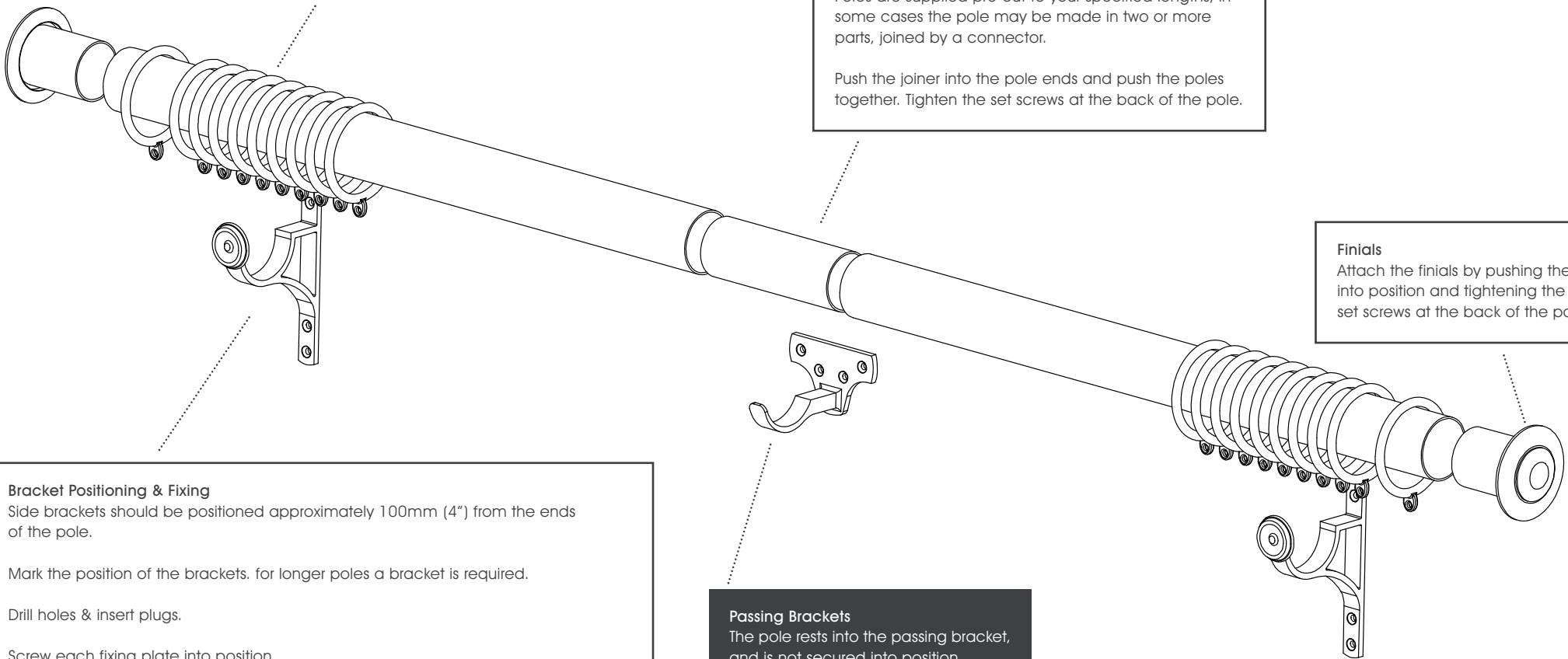
Mark the position of the brackets, for longer poles a bracket is required.

Drill holes & insert plugs.

Screw each fixing plate into position.

Passing Brackets

The pole rests into the passing bracket, and is not secured into position.



WOOD POLE - WALL FIX

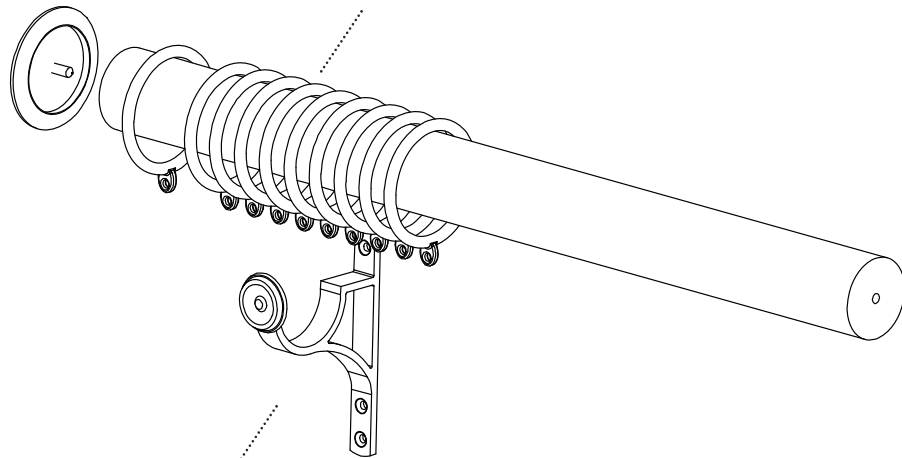
Fitting Rings and Pole

Slide the curtain rings on to the pole, allowing approximately one ring for every 100mm (4").

Keep aside two rings, one for the outside of each end of the bracket.

Place the pole on the brackets, making sure that the overhangs at each end are equal. If the pole is made of two connected lengths, the bracket should cover the join.

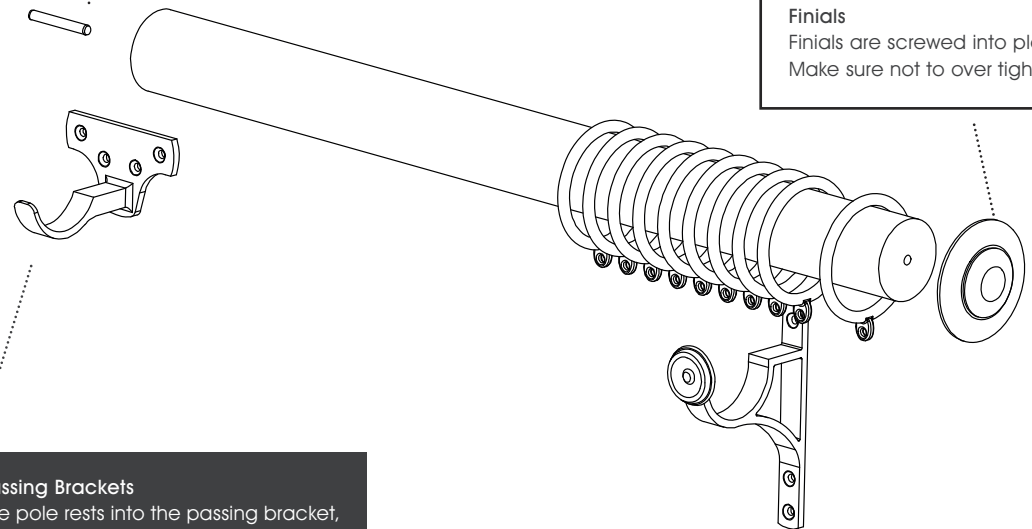
Tighten the thumb wheel to secure the pole.



Joining the pole

Poles are supplied pre-cut to your specified lengths, in some cases the rod may be made in two or more parts, joined by a connector.

Screw together the double head threaded screw provided. Once connected, a set screw is tightened at the top of the bracket to lock the pole into place.



Finials

Finials are screwed into place. Make sure not to over tighten.

Bracket Positioning & Fixing

Side brackets should be positioned approximately 100mm (4") from the ends of the pole.

Mark the position of the brackets, for longer poles a bracket is required.

Drill holes & insert plugs.

Screw each fixing plate into position.

Passing Brackets

The pole rests into the passing bracket, and is not secured into position.