

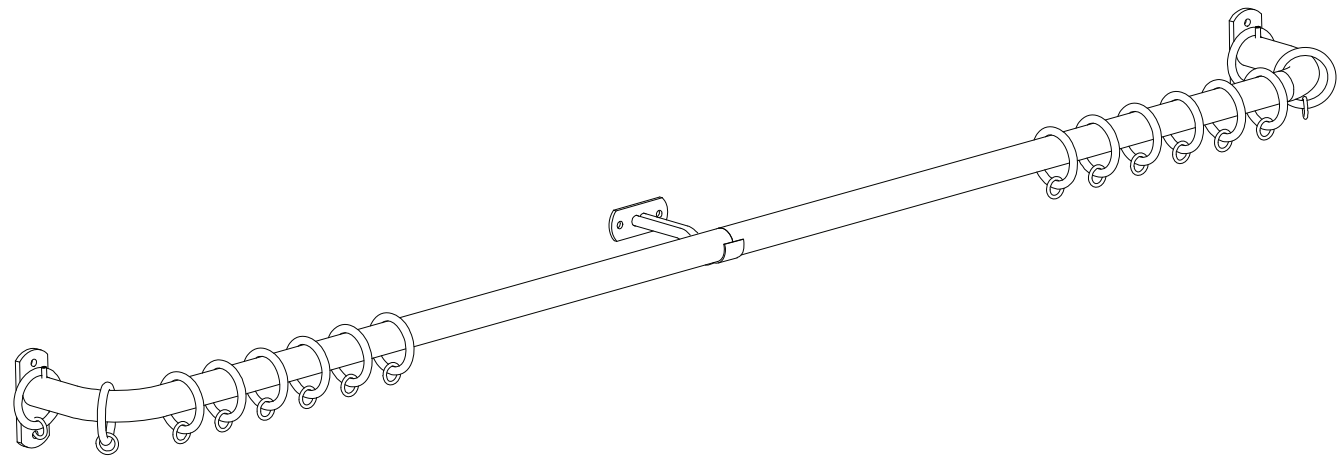


# the **bradley** collection

---

## STEEL FRENCH

### Installation Instructions



#### CONTACT

Web [www.bradleycollection.com](http://www.bradleycollection.com)

Email [info@bradleycollection.com](mailto:info@bradleycollection.com)

Follow     

#### WORLD

**The Bradley Collection Ltd**

Lion Barn • Maitland Road

Needham Market • Suffolk

IP6 8NS • UK

Telephone +44 (0)1449 722 724

Fax +44 (0)1449 722 728

#### USA & Canada

**The Bradley Collection Inc.**

3625 Hayden Avenue, Suite E

Culver City • CA • 90232 • USA

Telephone +1 (310) 815 8255

Fax +1 (310) 815 9255

# STEEL FRENCH

## Installation Instructions

### THANK YOU FOR YOUR ORDER

Before fitting this product please ensure that you have thoroughly read these instructions.

We have taken every care to design and manufacture a quality system; incorrect installation could lead to poor performance.

If any queries arise when reviewing these instructions or during installation please feel free to contact us for assistance. We will be glad to talk you through the process.

Please retain these instructions for future reference.

### CONTACT

Web [www.bradleycollection.com](http://www.bradleycollection.com)

Email [info@bradleycollection.com](mailto:info@bradleycollection.com)

World +44 (0)1449 722 724

USA & Canada +1 (310) 815 8255

Follow     

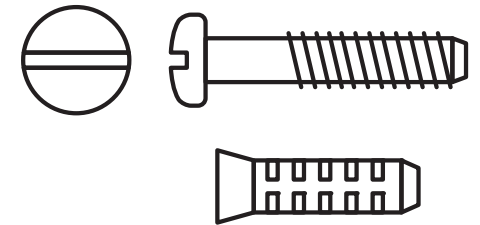
## Fixings

As a courtesy we have supplied a set of fixings for the system.

These screws and wall plugs are designed to be used in wood and brick walls. We understand our systems may be used on a variety of materials; drywall, aluminium and steel stud, or lath and plaster.

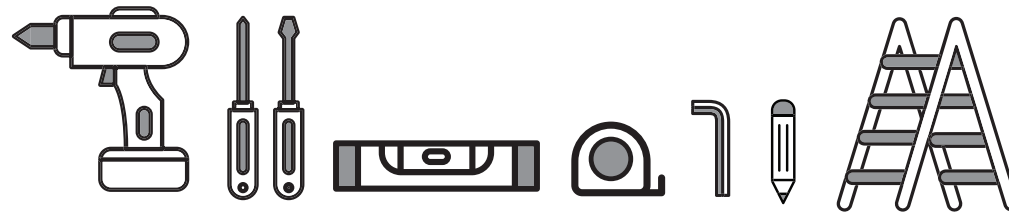
To properly secure a system onto these or other types of surfaces; appropriate fixings must be independently obtained.

**!** Assess your own wall construction and source the appropriate screw type.  
**!** Please note that the enclosed fixings may not be suitable for all wall types.



## Tools

For the installation of the system the following items may be required.



## Care & Maintenance

This pole can be cleaned using a soft cloth and furniture polish.

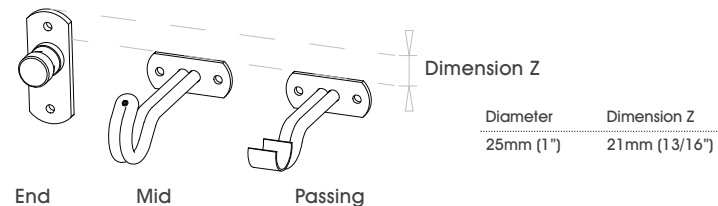
**!** Please do not use any solvent or chlorine based cleaners as this will damage the finish.

## Bracket positioning and fixing

Side brackets should be positioned approximately 100mm (4") in from the end of the pole.

### Single Brackets

To align the brackets, the top of the passing brackets should be fitted below the top of the side brackets. (see dimension Z)



### Fitting Rings and Pole

Slide the curtain rings on to the pole, allowing approximately one ring for every 100mm (4"). On systems where passing rings are used ensure the open side of the ring is facing the wall.

Keep aside two rings, one for the outside of each end of the bracket.

Push the pole on the brackets, and tighten the set screw. If the pole is made of two connected lengths, the mid/passing bracket should cover the join.

### Joining the pole

Poles are supplied pre-cut to your specified lengths, in some cases the pole may be made in two or more parts, joined by a connector.

Push the joiner into the pole ends and push the poles together. Tighten the set screws at the back of the pole.

### Ring Stop

To hold the curtain back to the wall place a ring between the bracket and the set screw.

### Bracket Positioning & Fixing

Mark the position of the brackets. For longer poles a mid/passing bracket is required. For bay window poles, passing brackets are used in conjunction with passing curtain rings.

Drill holes & insert plugs.

Screw each bracket into position.

### ! Passing Brackets

The pole snaps into the passing bracket. This operation should only be done once, as repeated attempts can damage the finish.

Ensure that the pole is in the correct position first. Then gently pull the pole down whilst holding the bracket up.

