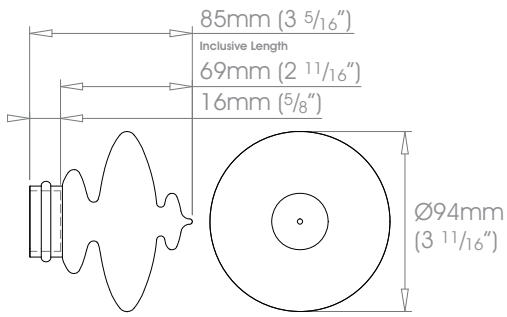



# ELYSIAN Finials • Charm

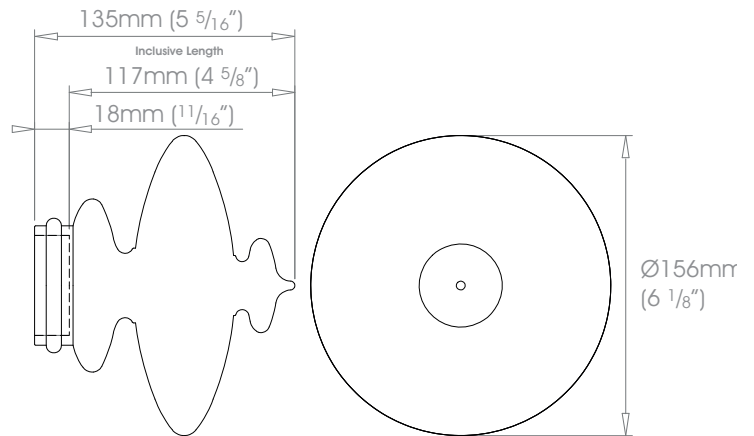
## Finishes

Alabaster • Dusk • Granite • Slate • Flint • Barley • Dove • Millstone • Clay • Cocoa • Cloud • Ceramic • Bone • Cream • Parchment • Damson • Moss • Smoke • Frame Grey • Raven Coat Options: Matte (M) • Satin (S) • Gloss (G) • Platinum • Champagne • Gold • Cognac • Gunmetal • Antique Brass • Pewter • Bronzed Coat Options: Satin (S) • Gloss (G)  
 Polished Nickel - Can be specified at twice the cost of the standard finish  
**Custom Finishes** Can be specified subject to a per colour upcharge, (up to five poles)



30mm (1 3/16") Charm

 Weight 1.3kg (2lb 15oz)



50mm (2") Charm

 Weight 1.5kg (3lb 4oz)