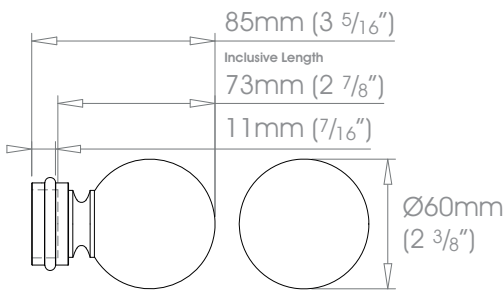



# ELYSIAN Finials • Crystal Globe

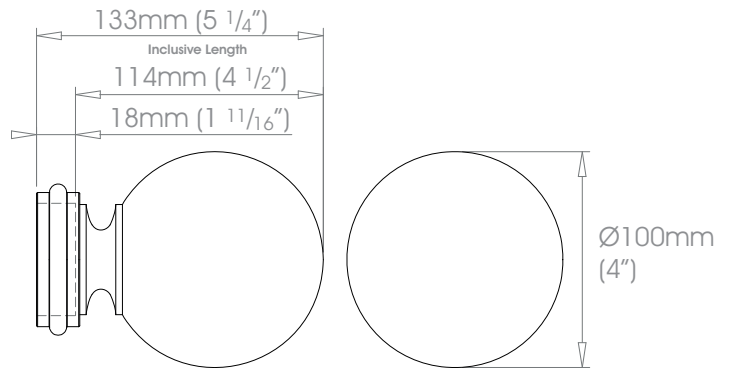
## Finishes

Alabaster • Dusk • Granite • Slate • Flint • Barley • Dove • Millstone • Clay • Cocoa • Cloud • Ceramic • Bone • Cream • Parchment • Damson • Moss • Smoke • Frame Grey • Raven Coat Options: Matte (M) • Satin (S) • Gloss (G) • Platinum • Champagne • Gold • Cognac • Gunmetal • Antique Brass • Pewter • Bronzed Coat Options: Satin (S) • Gloss (G)  
 Polished Nickel - Can be specified at twice the cost of the standard finish  
**Custom Finishes** Can be specified subject to a per colour upcharge. (up to five poles)



30mm (1 3/16") Crystal Globe

 Weight 376g (13oz)



50mm (2") Crystal Globe

 Weight 2kg (4lb 6oz)