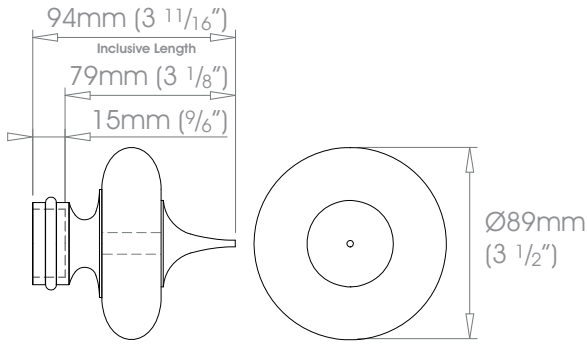



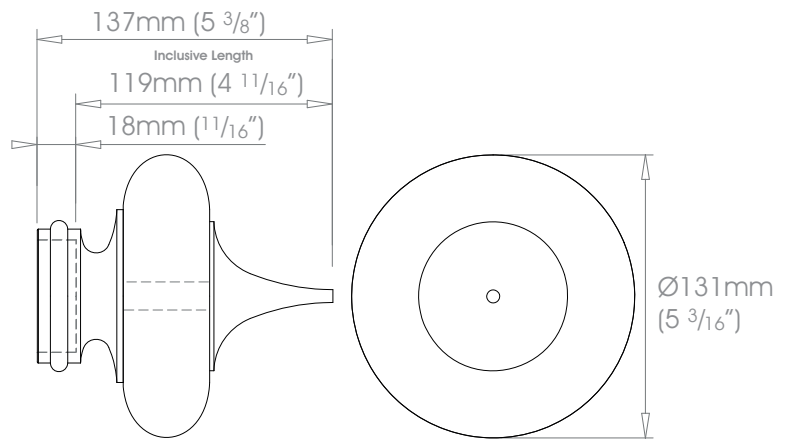
ELYSIAN Finials • Crystal Templar

Finishes Alabaster • Dusk • Granite • Slate • Flint • Barley • Dove • Millstone • Clay • Cocoa • Cloud • Ceramic • Bone • Cream • Parchment • Damson • Moss • Smoke • Frame Grey • Raven Coat Options: Matte (M) • Satin (S) • Gloss (G) • Platinum • Champagne • Gold • Cognac • Gunmetal • Antique Brass • Pewter • Bronzed Coat Options: Satin (S) • Gloss (G)
 Polished Nickel - Can be specified at twice the cost of the standard finish
Custom Finishes Can be specified subject to a per colour upcharge, (up to five poles)



30mm (1 3/16") Crystal Templar

 Weight g (OZ)



50mm (2") Crystal Templar

 Weight g (OZ)

⚙️ crystal finials should not be positioned in direct sunlight, and are not suitable for use in conservatories