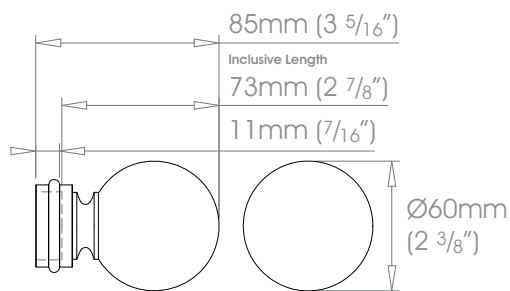


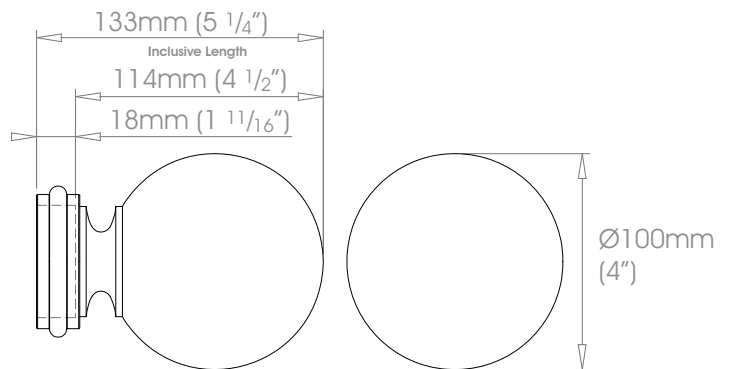
# GLIDERPOLE® Finials • Crystal Globe

**Finishes** Alabaster • Dusk • Granite • Slate • Flint • Barley • Dove • Millstone • Clay • Cocoa • Cloud • Ceramic • Bone • Cream • Parchment • Damson • Moss • Smoke • Frame Grey • Raven Coat Options: Matte (M) • Satin (S) • Gloss (G) • Platinum • Champagne • Gold • Cognac • Gunmetal • Antique Brass • Pewter • Bronzed Coat Options: Satin (S) • Gloss (G)  
 Natural Silver • Polished Nickel - Can be specified at twice the cost of the standard finish  
**Custom Finishes** Can be specified subject to a per colour upcharge, (up to five poles)



**Round 30mm (1 3/16") Crystal Globe**

**W** Weight 376g (13oz)



**Round 50mm (2") Crystal Globe**

**W** Weight 2kg (4lb 6oz)

⚠ Crystal finials should not be positioned in direct sunlight, and are not suitable for use in conservatories