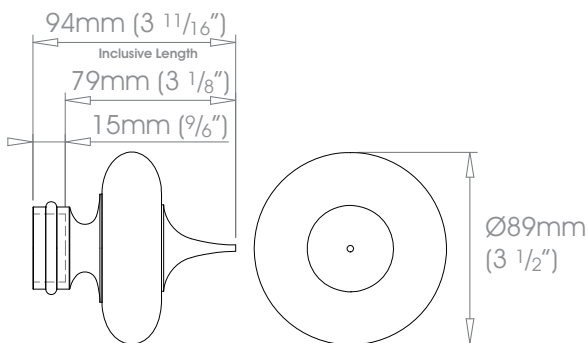


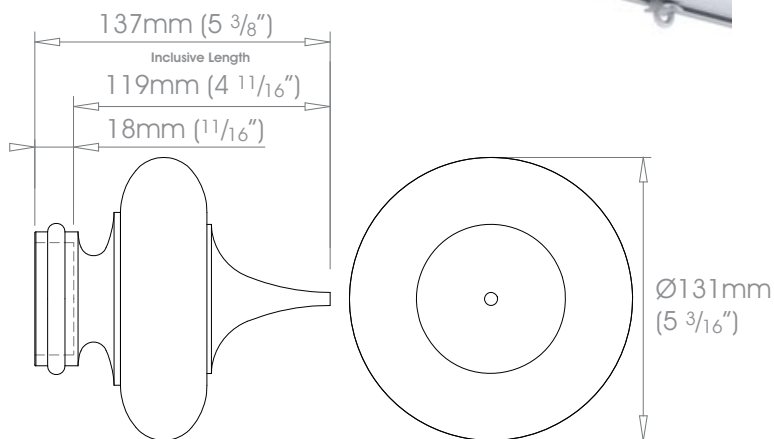
GLIDERPOLE® Finials • Templar

Finishes Alabaster • Dusk • Granite • Slate • Flint • Barley • Dove • Millstone • Clay • Cocoa • Cloud • Ceramic • Bone • Cream • Parchment • Damson • Moss • Smoke • Frame Grey • Raven Coat Options: Matte (M) • Satin (S) • Gloss (G) • Platinum • Champagne • Gold • Cognac • Gunmetal • Antique Brass • Pewter • Bronzed Coat Options: Satin (S) • Gloss (G)
 Natural Silver • Polished Nickel - Can be specified at twice the cost of the standard finish
Custom Finishes Can be specified subject to a per colour upcharge. (up to five poles)



Round 30mm (1 3/16") Templar

W Weight 1.1kg (2lb 6oz)



Round 50mm (2") Templar

W Weight 924g (2lb)