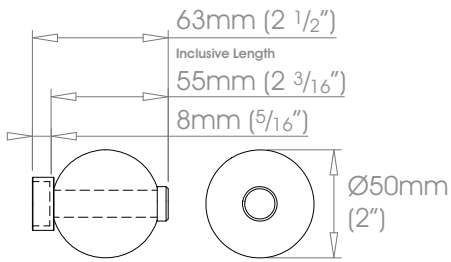


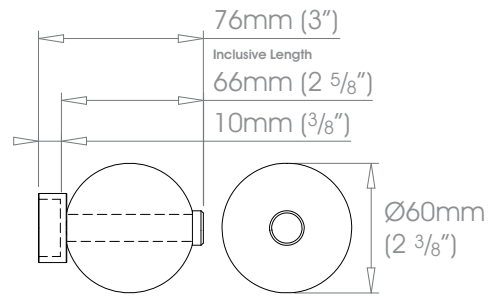
SIMPLE Finials • Crystal Ball

Finishes Alabaster • Dusk • Granite • Slate • Flint • Barley • Dove • Millstone • Clay • Cocoa • Cloud • Ceramic • Bone • Cream • Parchment • Damson • Moss • Smoke • Frame Grey • Raven Coat Options: Matte (M) • Satin (S) • Gloss (G) • Platinum • Champagne • Gold • Cognac • Gunmetal • Antique Brass • Pewter • Bronzed Coat Options: Satin (S) • Gloss (G)
Polished Nickel - Can be specified at twice the cost of the standard finish
Custom Finishes Can be specified subject to a per colour upcharge, (up to five poles)



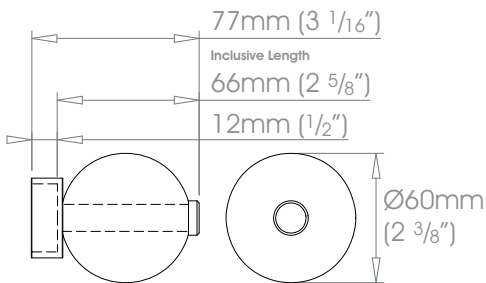
19mm (3/4") Crystal Ball

W Weight 188g (6.6oz)



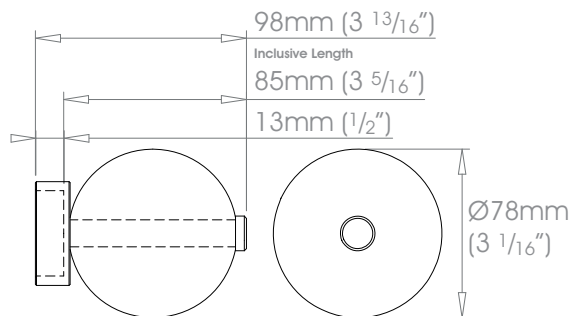
25mm (1") Crystal Ball

W Weight 327g (11.5oz)



30mm (1 3/16") Crystal Ball

W Weight 337g (12oz)



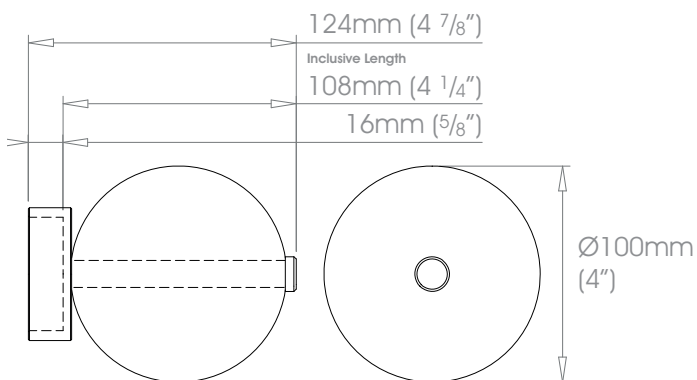
38mm (1 1/2") Crystal Ball

W Weight 722g (1lb 9oz)


⚙️ crystal finials should not be positioned in direct sunlight, and are not suitable for use in conservatories

SIMPLE Finials • Crystal Ball

Finishes Alabaster • Dusk • Granite • Slate • Flint • Barley • Dove • Millstone • Clay • Cocoa • Cloud • Ceramic • Bone • Cream • Parchment • Damson • Moss • Smoke • Frame Grey • Raven Coat Options: Matte (M) • Satin (S) • Gloss (G) • Platinum • Champagne • Gold • Cognac • Gunmetal • Antique Brass • Pewter • Bronzed Coat Options: Satin (S) • Gloss (G)
Polished Nickel - Can be specified at twice the cost of the standard finish
Custom Finishes Can be specified subject to a per colour upcharge, (up to five poles)



50mm (2") Crystal Ball

 Weight 1.5kg (3lb 5oz)

⚙ crystal finials should not be positioned in direct sunlight, and are not suitable for use in conservatories