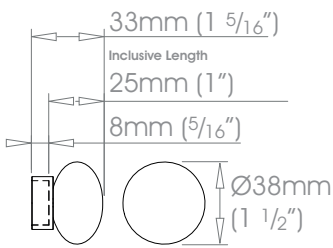


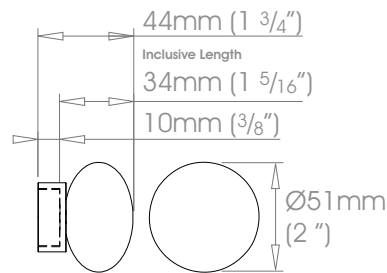
SIMPLE Finials • Pebble

Finishes Alabaster • Dusk • Granite • Slate • Flint • Barley • Dove • Millstone • Clay • Cocoa • Cloud • Ceramic • Bone • Cream • Parchment • Damson • Moss • Smoke • Frame Grey • Raven Coat Options: Matte (M) • Satin (S) • Gloss (G) Platinum • Champagne • Gold • Cognac • Gunmetal • Antique Brass • Pewter • Bronzed Coat Options: Satin (S) • Gloss (G)
Polished Nickel - Can be specified at twice the cost of the standard finish
Custom Finishes Can be specified subject to a per colour upcharge. (up to five poles)



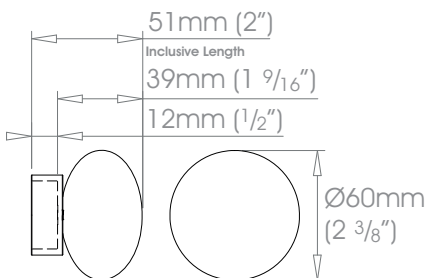
19mm (3/4") Pebble

W weight 63g (2oz)



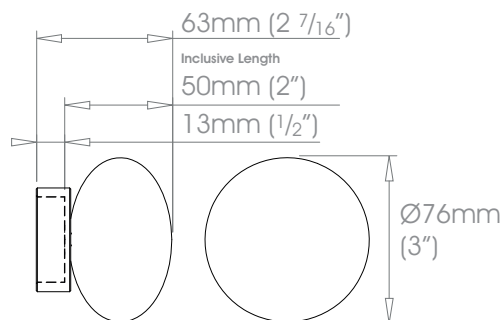
25mm (1") Pebble

W weight 152g (5oz)



30mm (1 3/16") Pebble

W weight 239g (8oz)

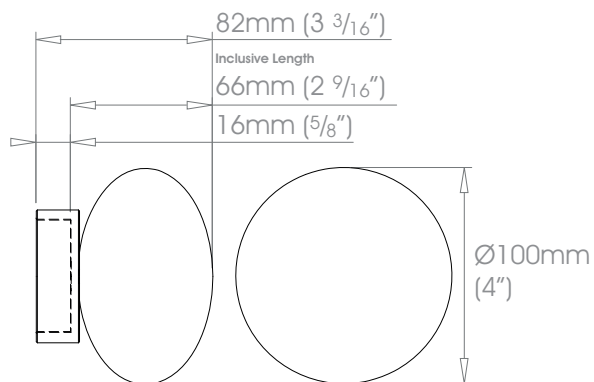


38mm (1 1/2") Pebble


W weight 487g (1lb 1oz)

SIMPLE Finials • Pebble

Finishes Alabaster • Dusk • Granite • Slate • Flint • Barley • Dove • Millstone • Clay • Cocoa • Cloud • Ceramic • Bone • Cream • Parchment • Damson • Moss • Smoke • Frame Grey • Raven Coat Options: Matte (M) • Satin (S) • Gloss (G) • Platinum • Champagne • Gold • Cognac • Gunmetal • Antique Brass • Pewter • Bronzed Coat Options: Satin (S) • Gloss (G)
Polished Nickel - Can be specified at twice the cost of the standard finish
Custom Finishes Can be specified subject to a per colour upcharge, (up to five poles)



50mm (2") Pebble

 weight 1080g (2lb 6oz)