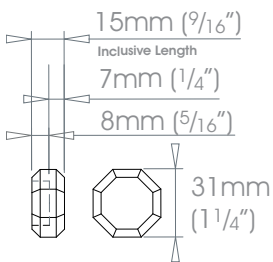
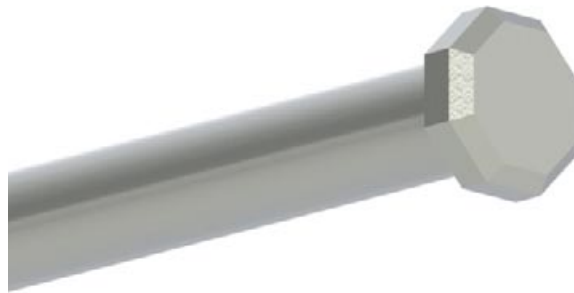


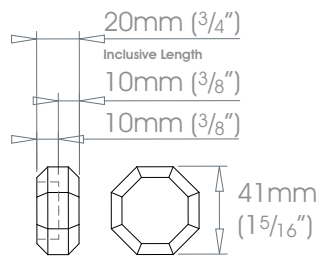
# STAINLESS Finials • Octagon Stud

**Finishes** Brushed Stainless • Brushed Brass Tint • Brushed Copper Tint • Brushed Rose Tint • Brushed Bronze Tint • Brushed Carbon Tint  
 Mirrored Stainless • Mirrored Brass Tint • Mirrored Copper Tint • Mirrored Rose Tint • Mirrored Bronze Tint • Mirrored Carbon Tint



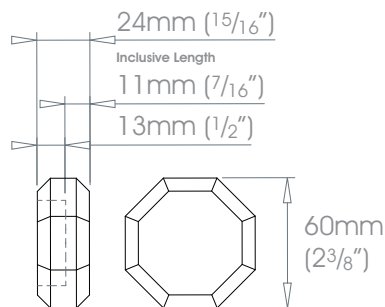
**19mm (3/4") Octagon Stud**

**W** Weight 65g (2.3oz)



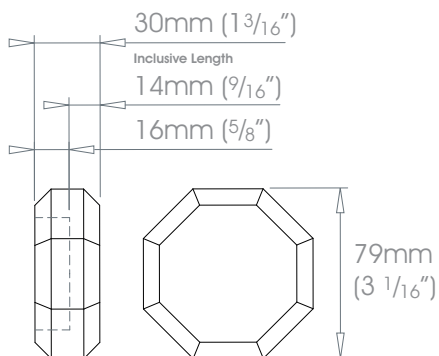
**25mm (1") Octagon Stud**

**W** Weight 141g (5oz)



**38mm (1 1/2") Octagon Stud**

**W** Weight 383g (13.5oz)



**50mm (2") Octagon Stud**

**W** Weight 823kg (11lb 13oz)