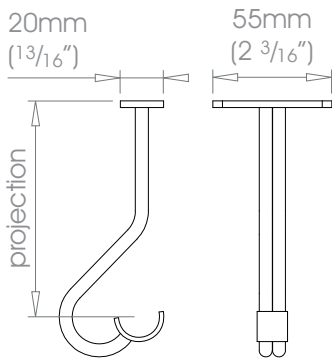



STEEL Brackets • Ceiling Bracket - Passing

Finishes

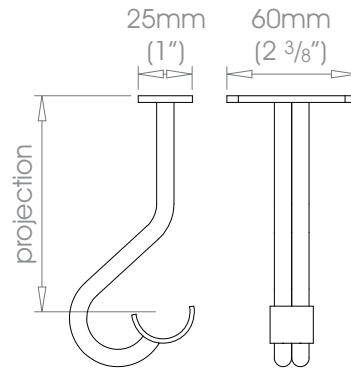
Polished • Natural Steel • Brass Toned • Matte Brass Toned • Bronzed (SATIN) • Oil Rubbed • Waxed • Flint (SATIN)
Custom Finishes Can be specified subject to a per colour upcharge. (up to five poles)




19mm (3/4") Ceiling Bracket - Passing

 Projection 60mm (2 3/8")
100mm (4")

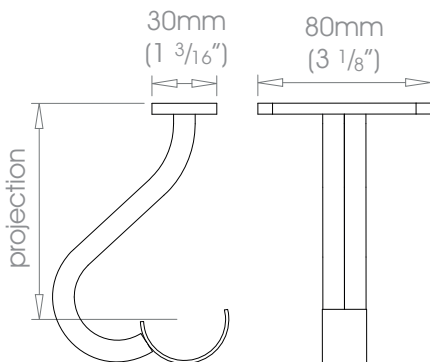
 Weight 84g (3oz)
96g (3.5oz)




25mm (1") Ceiling Bracket - Passing

 Projection 60mm (2 3/8")
100mm (4")

 Weight 136g (5oz)
171g (6oz)



38mm (1 1/2") Ceiling Bracket - Passing

 Projection 100mm (4")

 Weight 316g (11oz)