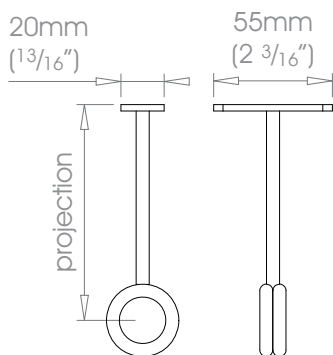


STEEL Brackets • Ceiling Bracket


Finishes

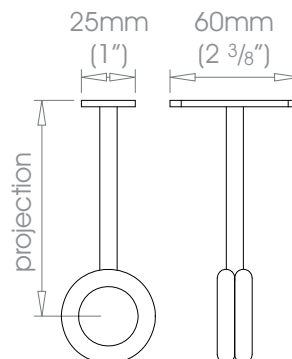
Polished • Natural Steel • Brass Toned • Matte Brass Toned • Bronzed (SATIN) • Oil Rubbed • Waxed • Flint (SATIN)
Custom Finishes Can be specified subject to a per colour upcharge. (up to five poles)



19mm (3/4") Ceiling Bracket

 Projection 60mm (2 3/8")
100mm (4")

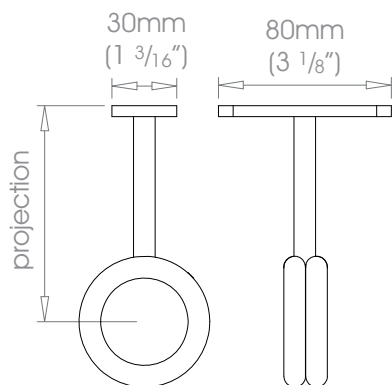
 Weight 72g (5oz)
76g (6oz)




25mm (1") Ceiling Bracket

 Projection 60mm (2 3/8")
100mm (4")

 Weight 130g (5oz)
163g (6oz)



38mm (1 1/2") Ceiling Bracket

 Projection 100mm (4")

 Weight 276g (10oz)