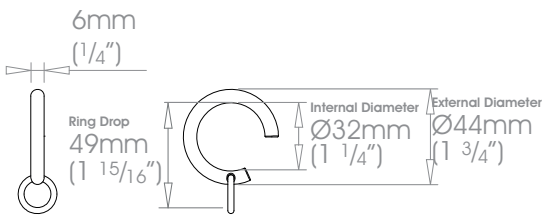


# STEEL Rings • Classic Passing Ring

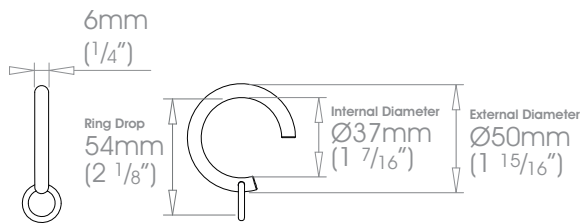
## Finishes

Polished • Natural Steel • Brass Toned • Matte Brass Toned • Bronzed (SATIN) • Oil Rubbed • Waxed • Flint (SATIN)  
**Custom Finishes** Can be specified subject to a per colour upcharge. (up to five poles)



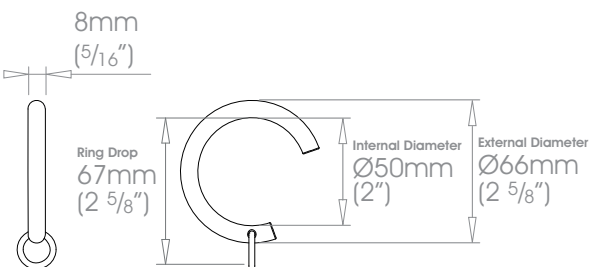
19mm (3/4") Classic Passing Ring

**W** Weight 26g (1oz)



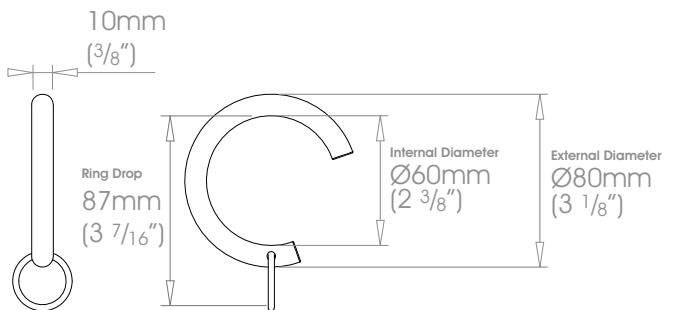
25mm (1") Classic Passing Ring

**W** Weight 32g (1oz)



38mm (1 1/2") Classic Passing Ring

**W** Weight 60g (2oz)



50mm (2") Classic Passing Ring

**W** Weight 104g (4oz)