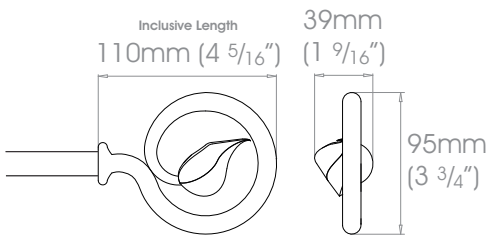


STEEL Finials • Curling Leaf

Finishes

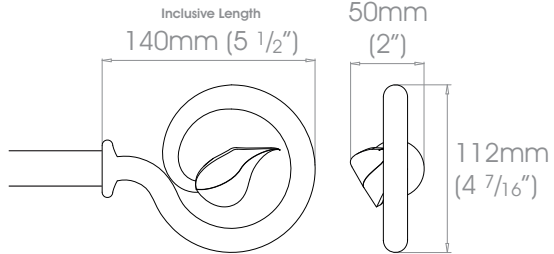
Polished • Natural Steel • Brass Toned • Matte Brass Toned • Bronzed (SATIN) • Oil Rubbed • Waxed • Flint (SATIN)
Custom Finishes Can be specified subject to a per colour upcharge. (up to five poles)



19mm (3/4") Curling Leaf

Handed left & right

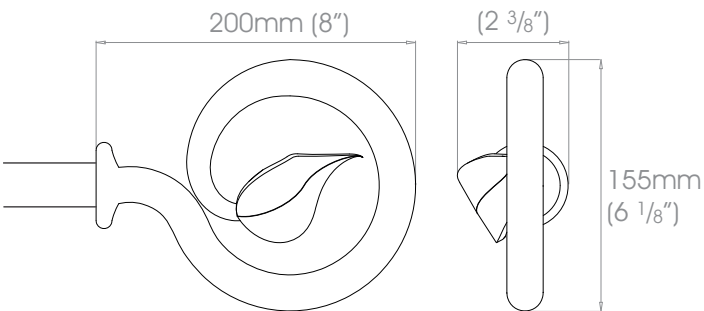
Weight 358g (13oz)



25mm (1") Curling Leaf

Handed left & right

Weight 728g (1lb 10oz)



38mm (1 1/2") Curling Leaf

Handed left & right

Weight 2.1kg (4lb 10oz)

Please note that due to manufacturing process's size and shape may vary slightly to shown diagram.