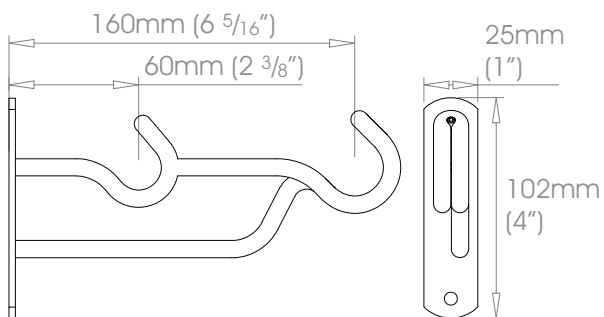


STEEL Brackets • Double Bracket - Side

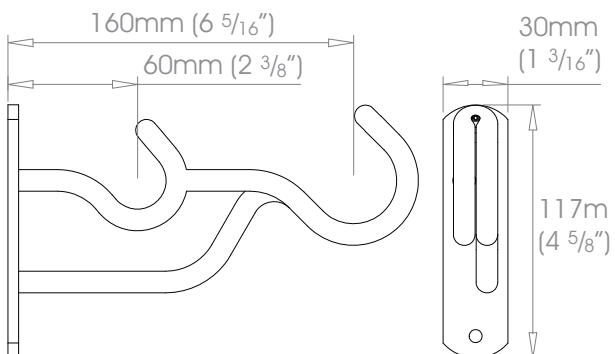
Finishes

Polished • Natural Steel • Brass Toned • Matte Brass Toned • Bronzed (SATIN) • Oil Rubbed • Waxed • Flint (SATIN)
Custom Finishes Can be specified subject to a per colour upcharge. (up to five poles)



F25mm (1") B19mm (3/4") Double Bracket - Side

 Weight 294g (10oz)



F38mm (1 1/2") B25mm (1") Double Bracket - Side

 Weight 540g (1lb 3oz)