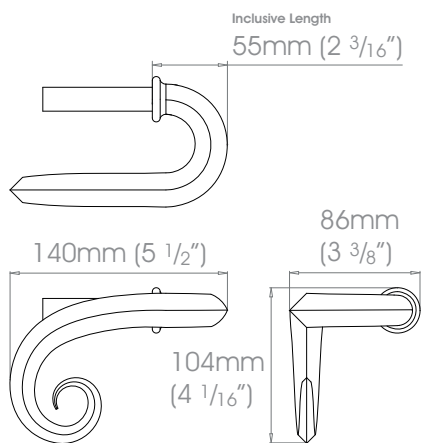


STEEL Finials • Reverse Square Rams Horn

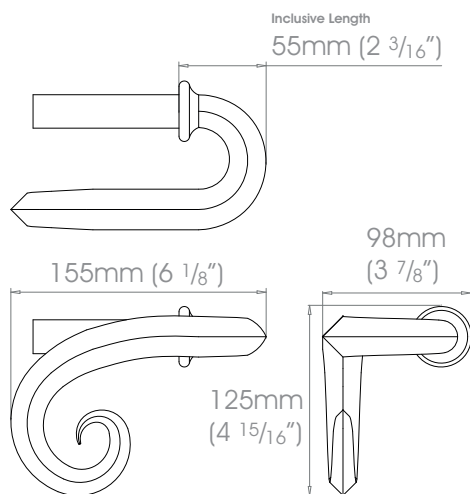
Finishes Polished • Natural Steel • Brass Toned • Matte Brass Toned • Bronzed (SATIN) • Oil Rubbed • Waxed • Flint (SATIN)
Custom Finishes Can be specified subject to a per colour upcharge. (up to five poles)



19mm (3/4") Reverse Square Rams Horn

Handed left & right

Weight 510g (1lb 2oz)



25mm (1") Reverse Square Rams Horn

Handed left & right

Weight 1.1kg (2lb 6oz)

Please note that due to manufacturing process's size and shape may vary slightly to shown diagram.