

# FLOAT

THE **BRADLEY**  
COLLECTION

SPECIFICATION GUIDE

# FLOAT

## SPECIFICATION GUIDE

This specification guide was designed to outline the main considerations that need to be made when quoting or ordering a system.

If any questions arise please call your local sales representative or contact The Bradley Collection directly.

### **System Information** Page 3-12

**POLES** Page 4

**JOINTING SYSTEM** Page 5

**BAYS & MINIMUM WALL SIZES** Page 6

**BRACKET ALIGNMENT** Page 7

**CUSTOM BRACKETS** Page 8

**CURTAIN DROPS** Page 9-11

**POLE CONFIGURATION** Page 12

### **Finishes** Page 13-16

### **Finials** Page 17-27

### **Poles** Page 28-32

### **Brackets** Page 33-44

### **Rings** Page 45-47

### **Accessories** Page 48-50

**THE BRADLEY  
COLLECTION**

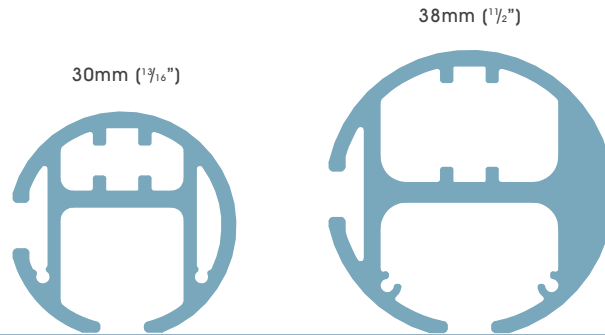
FLOAT

Poles are cut, bent and curved to suit individual requirements. When calculating the length of your pole, remember to allow tolerance beyond the width of the frame for the curtains to draw back to the edge of the window.

Poles exceeding the maximum length will be cut into equal parts unless otherwise specified. Joining system will be supplied. (See page 5) Brackets should be placed at every join.

Ø30mm (1 3/16") • 38mm (1 1/2")

The overall pole cost is rounded up in 300mm (1ft) increments.

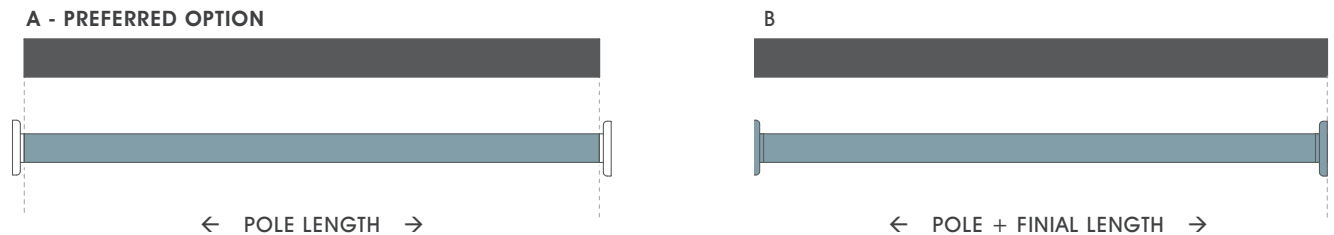


Size	Maximum distance between brackets	Maximum length in one piece	Standard Bend radius
Ø30mm (1 3/16")	1000mm (39")	4000mm (157") ⊕	R250mm (10")
Ø38mm (1 1/2")	1000mm (39")	4000mm (157") ⊕	R400mm (16")

## PROVIDING POLE LENGTHS

Pole lengths can be specified in two ways.

**OPTION A** is our preferred method. This covers Pole length only. **OPTION B** combines pole and finial lengths.



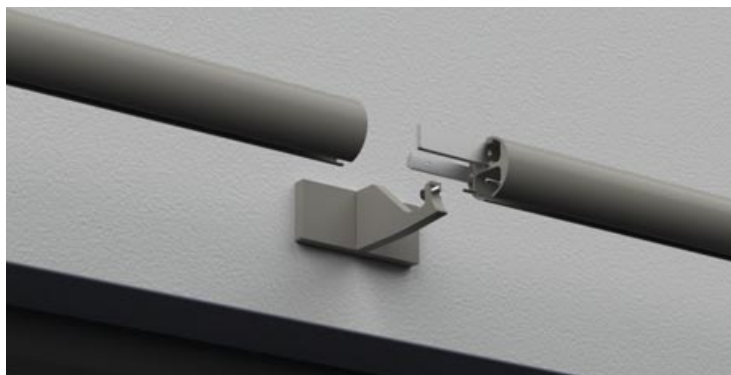
\*Section lengths over 2.4m (94") will incur a handling charge ⊕ Acrylic poles should not be positioned in direct sunlight, and are not suitable for use in conservatories or outdoors

# FLOAT

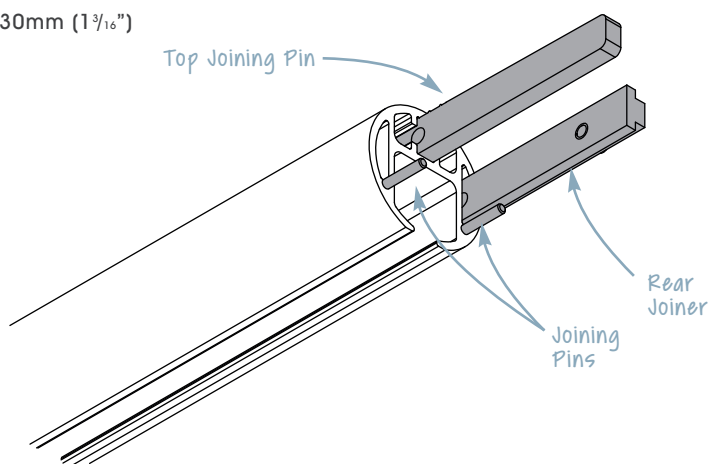
## JOINTING SYSTEM

Float's jointing system ensures perfect alignment between pole sections.

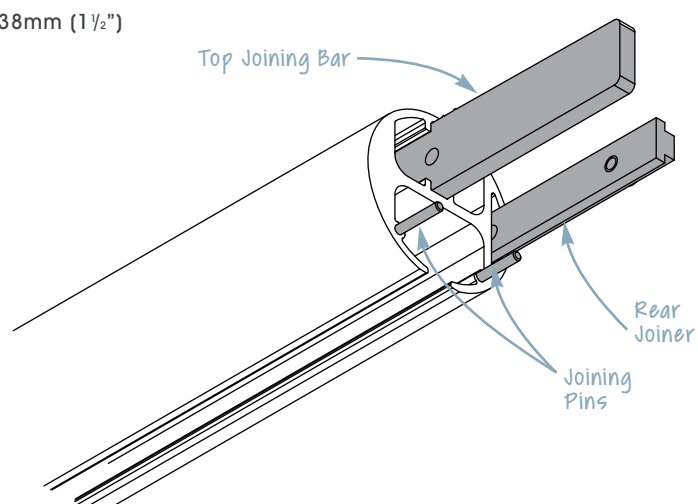
Joints must always be supported by a bracket.



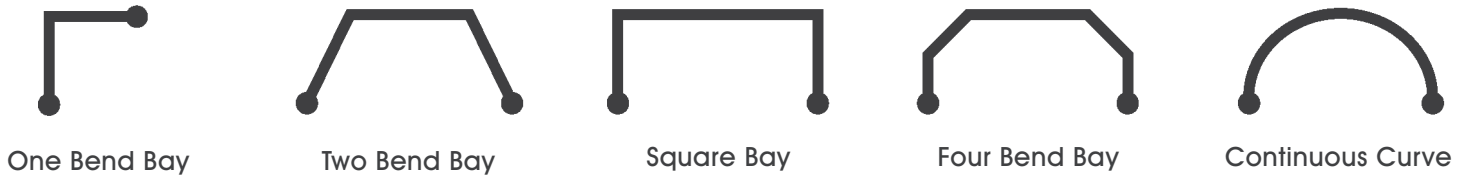
30mm (1<sup>3</sup>/<sub>16</sub>"



38mm (1<sup>1</sup>/<sub>2</sub>"



Bradley's bespoke service allows poles to be specifically made for unique bay windows and complex long span installations. Poles can be shaped to create a system that follows contours.



**!** Return bends are not available.

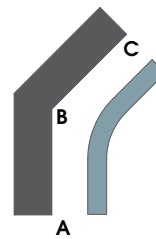
### MINIMUM WALL SIZES

The table below is a guide for the minimum wall size required to fit a bend into the space.

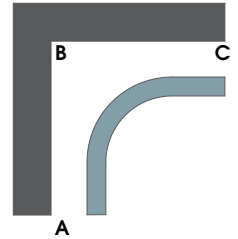
Standard bend radius shown is the minimum radius achievable

*Note: changes in angles and projections will alter the minimum wall sizes required*

135° Bend Angles



90° Bend Angles



Diameter	Wall A - B	Wall B - C	Angle at B	Standard Bend Radius	Projection
∅30mm (1 <sup>3</sup> / <sub>16</sub> "	241mm (9 <sup>1</sup> / <sub>2</sub> "	315mm (12 <sup>7</sup> / <sub>16</sub> "	135°	250mm (10")	60mm (2 <sup>3</sup> / <sub>8</sub> "
∅30mm (1 <sup>3</sup> / <sub>16</sub> "	475mm (18 <sup>11</sup> / <sub>16</sub> "	550mm (22 <sup>5</sup> / <sub>8</sub> "	90°	250mm (10")	60mm (2 <sup>3</sup> / <sub>8</sub> "
∅38mm (1 <sup>1</sup> / <sub>2</sub> "	282mm (11 <sup>1</sup> / <sub>8</sub> "	367mm (14 <sup>7</sup> / <sub>16</sub> "	135°	400mm (16")	100mm (4")
∅38mm (1 <sup>1</sup> / <sub>2</sub> "	575mm (22 <sup>5</sup> / <sub>8</sub> "	660mm (26")	90°	400mm (16")	100mm (4")

## BRADLEY BAY CHECKER +

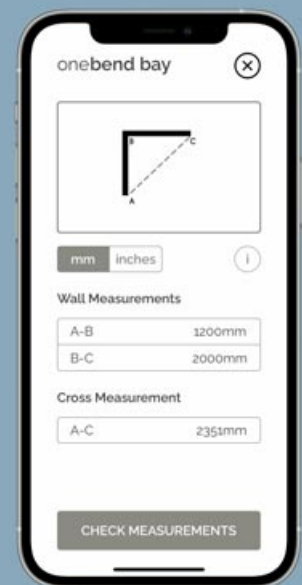
Bay Checker + is part of our Digital Toolbox, allowing you to check your measurement for bays and curves whilst onsite, as well as storing straight window dimensions for your projects.

Unlimited measurements may be saved locally to your device or shared to your colleagues.

Available as a free download for iOS or Android,

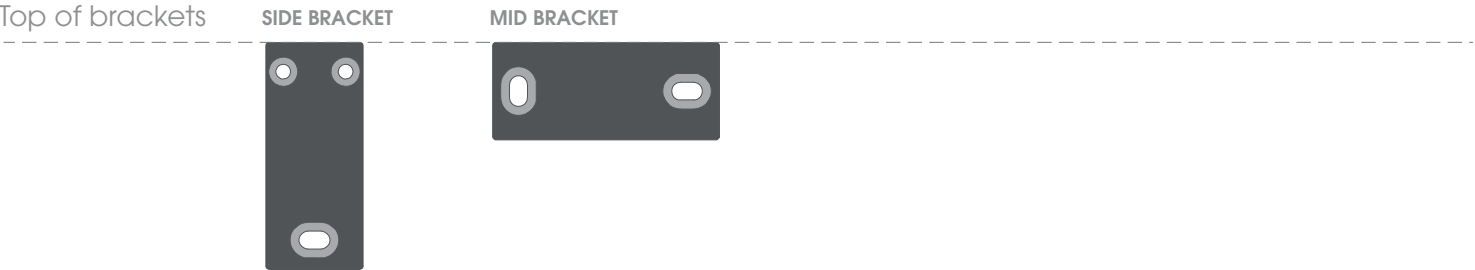
For more information on Bay Checker + and latest enhancements to our Digital Toolbox visit

[www.bradleycollection.com/digital-toolbox/](http://www.bradleycollection.com/digital-toolbox/)

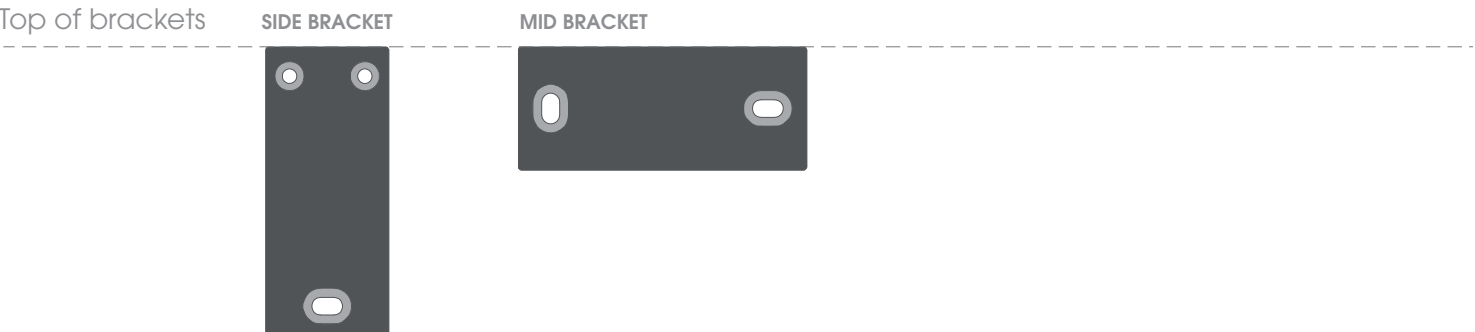


The information below shows the relationship between the bracket backplate. this will enable easy alignments during installation.

### SINGLE SYSTEM - $\varnothing 30\text{mm}$ ( $1\frac{3}{16}$ "

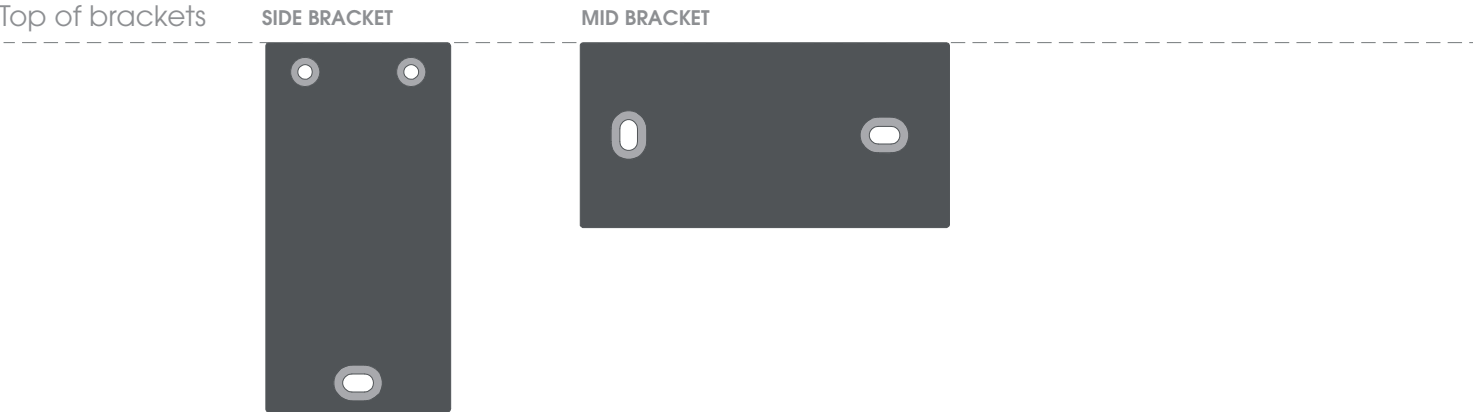


### SINGLE SYSTEM - $\varnothing 38\text{mm}$ ( $1\frac{1}{2}$ "



---

### DOUBLE SYSTEMS



Slide can be customised to suit virtually any window. For simple projection changes between the Minimums and Maximums listed below brackets are charged at double their standard cost. For all other customisations an additional up-charge and custom fee is applied per drawing,



**Custom Projection**  
Specify the exact projection needed.



**Custom Fixing Plate**  
Relevant where space is restricted or weight is a concern.



**Uplift**  
Helps negotiate cornice and similar architectural features.



**Ceiling Brackets**  
Specify exact projection required from ceiling.



**Angled Brackets**  
The solution for tight and awkward locations.

### MINIMUM & MAXIMUM BRACKET PROJECTIONS

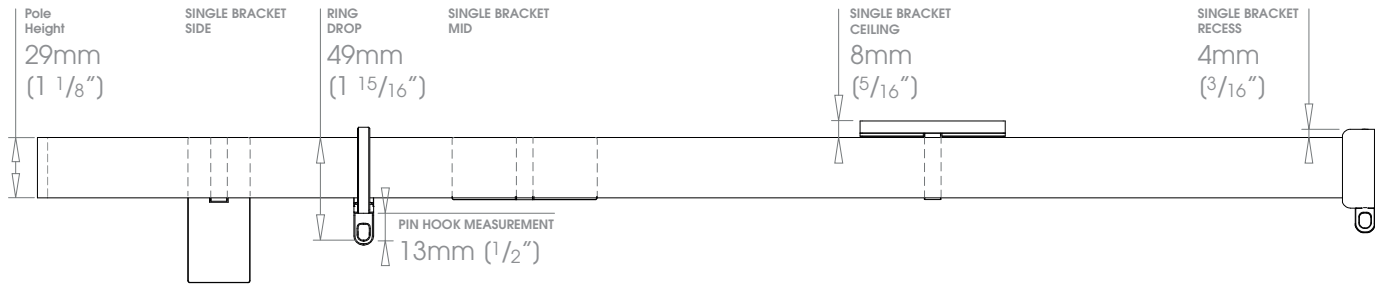
Dimensions outside of these stated min/max projections may still be possible but will generate a design charge per drawing. See pricelist for details

Diameter	Type	Standard Projection(s)	Minimum Projection	Maximum Projection
∅30mm (1 3/16")	Side	60mm (2 3/8") • 100mm (4")	70mm (2 3/4")	200mm (8")
∅30mm (1 3/16")	Mid	60mm (2 3/8") • 100mm (4")	70mm (2 3/4")	200mm (8")
∅38mm (1 1/2")	Side	100mm (4")	83mm (3 1/4")	200mm (8")
∅38mm (1 1/2")	Mid	100mm (4")	83mm (3 1/4")	200mm (8")

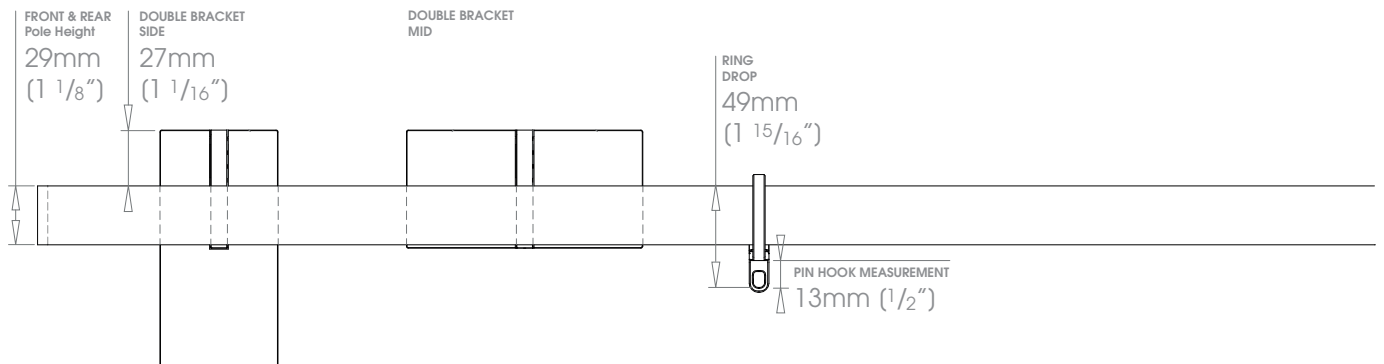
The information below shows the relationship between the pole, brackets and rings.  
This will enable the correlation between pole heights and curtain drops to be easily calculated.

 Rings sit 5mm (3/16") above the pole

### SINGLE SYSTEM - $\varnothing 30\text{mm}$ (1 3/16")



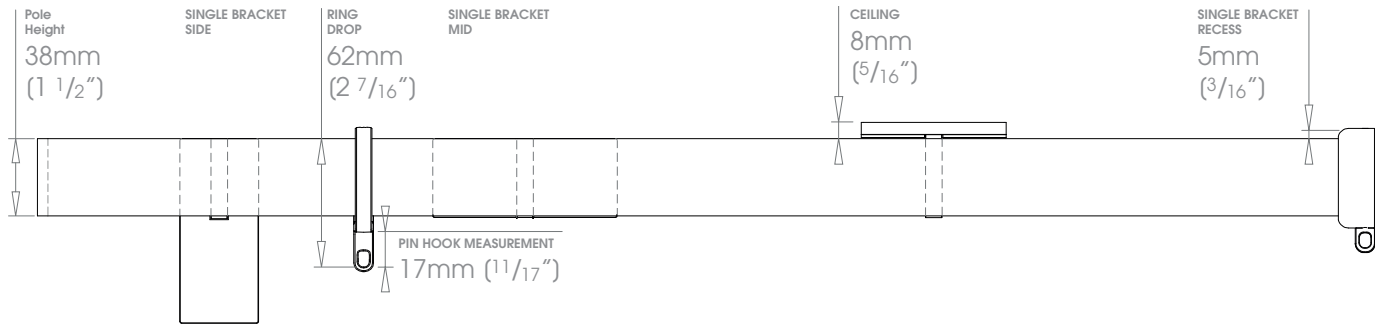
### DOUBLE SYSTEM - FRONT $\varnothing 30\text{mm}$ (1 3/16") BACK $\varnothing 30\text{mm}$ (1 3/16")



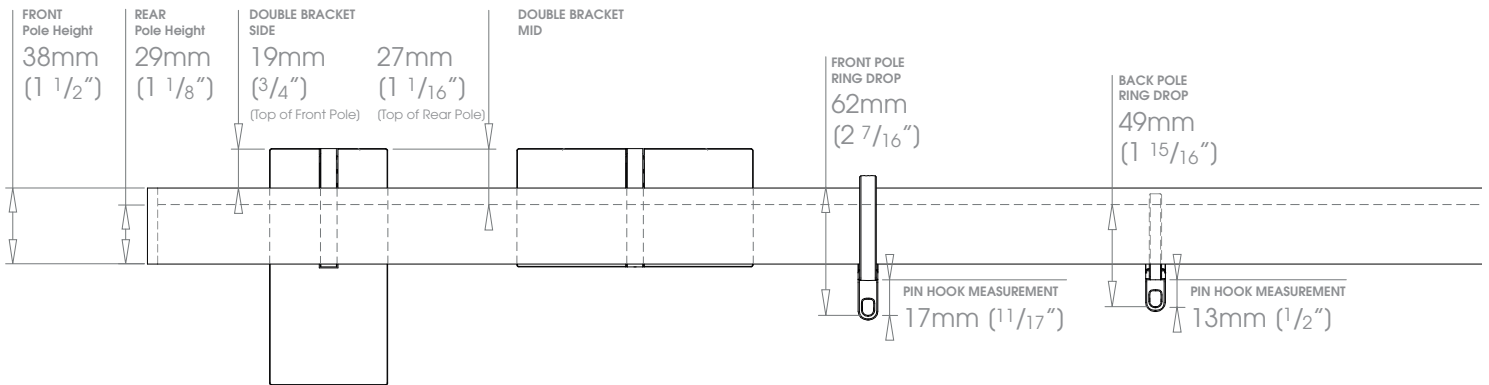
The information below shows the relationship between the pole, brackets and rings.  
This will enable the correlation between pole heights and curtain drops to be easily calculated.

 Rings sit 5mm ( $\frac{3}{16}$ " ) above the pole

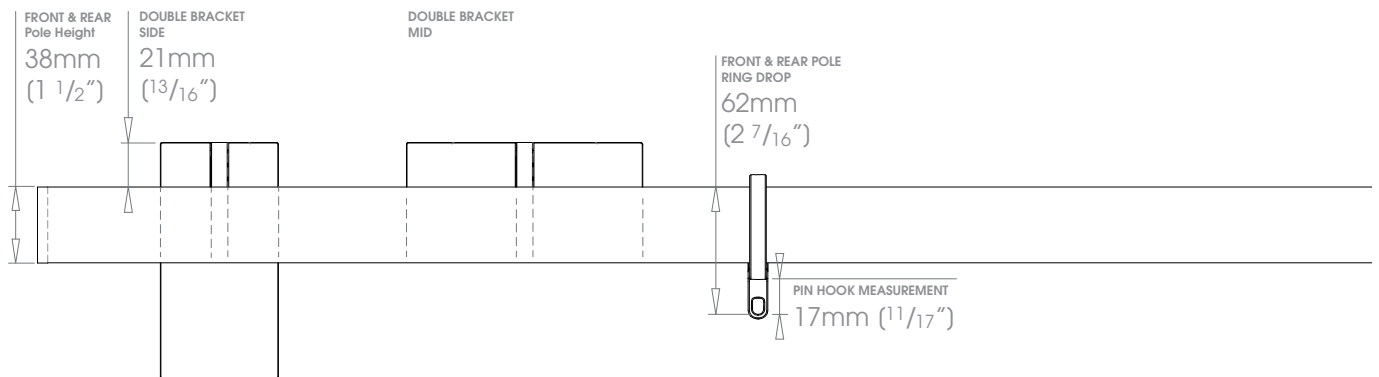
### SINGLE SYSTEM - $\varnothing 38\text{mm}$ ( $1\frac{1}{2}$ " )



### DOUBLE SYSTEM - FRONT $\varnothing 38\text{mm}$ ( $1\frac{1}{2}$ " ) BACK $\varnothing 30\text{mm}$ ( $1\frac{3}{16}$ " )



### DOUBLE SYSTEM - FRONT $\varnothing 38\text{mm}$ ( $1\frac{1}{2}$ " ) BACK $\varnothing 38\text{mm}$ ( $1\frac{1}{2}$ " )

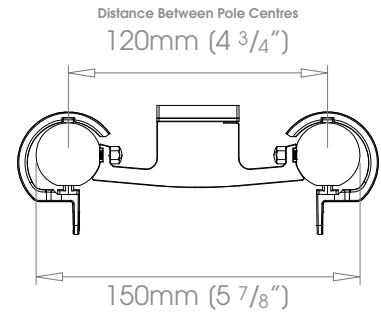
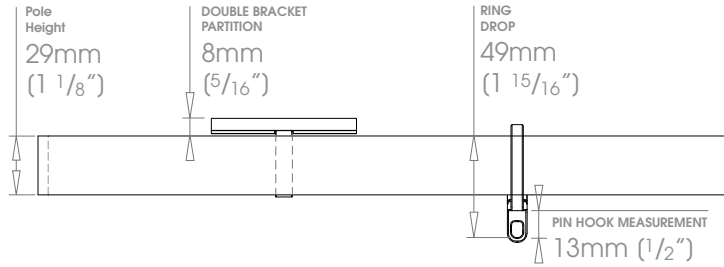


The information below shows the relationship between the pole, brackets and rings.  
This will enable the correlation between pole heights and curtain drops to be easily calculated.

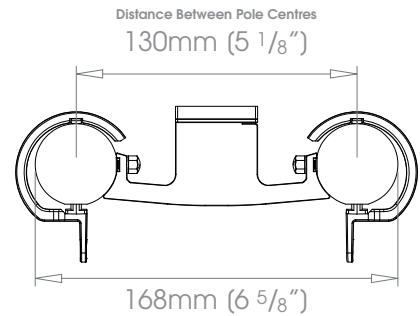
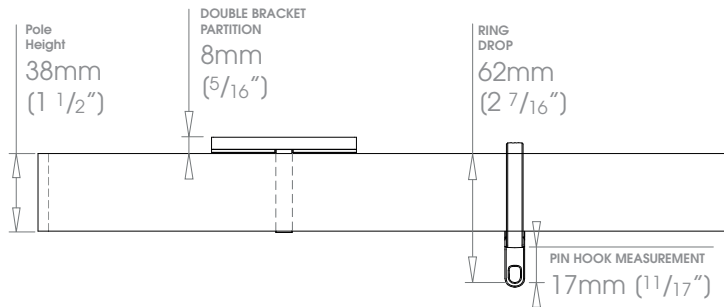


Partition Brackets can not be used around bay windows

### DOUBLE PARTITION SYSTEM - FRONT $\varnothing 30\text{mm}$ ( $1\frac{3}{16}$ " ) BACK $\varnothing 30\text{mm}$ ( $1\frac{3}{16}$ " )



### DOUBLE PARTITION SYSTEM - FRONT $\varnothing 38\text{mm}$ ( $1\frac{1}{2}$ " ) BACK $\varnothing 38\text{mm}$ ( $1\frac{1}{2}$ " )



# FLOAT

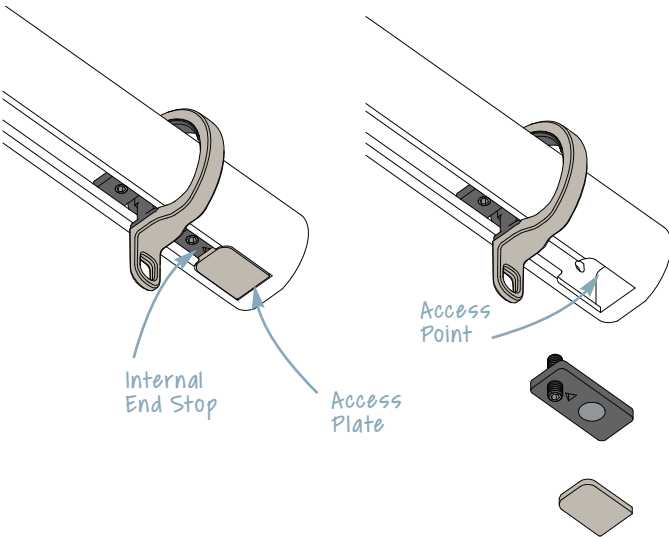
## POLE CONFIGURATION

Systems will be supplied as per the diagrams below.

### RING ACCESS

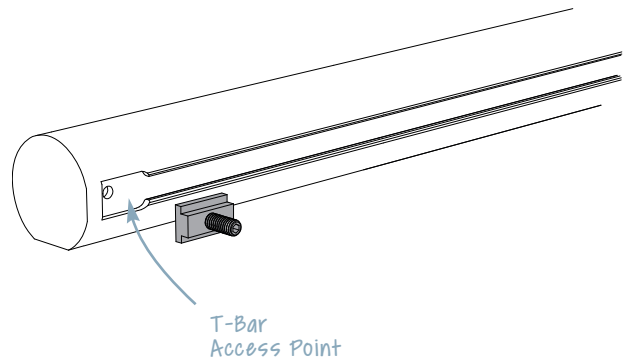
For single stack curtains a glider access point will be positioned the same side as the curtain stack.

For pair stack curtains the access point will be positioned on the right hand side, unless otherwise requested.



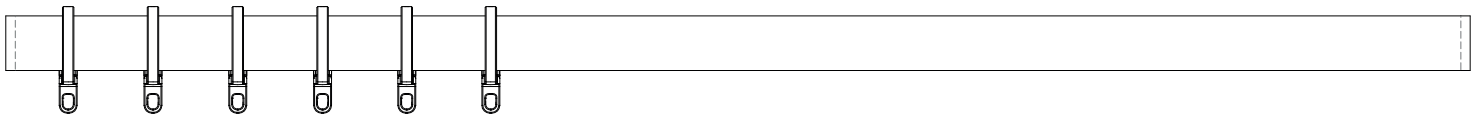
### T-BAR ACCESS

For poles made in one piece, a T-Bar access point will positioned on the righthand side



## FLOAT POLE SYSTEMS

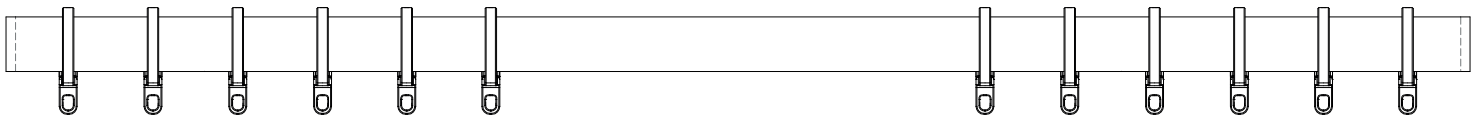
### SINGLE STACK ▶



#### SUPPLIED WITH

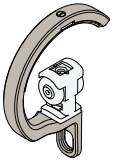
1x Internal End Stop • 1x Glider Access Plate (Access will be positioned the same side as curtain stack)

### PAIR STACK ▶◀



#### SUPPLIED WITH

2x Internal End Stop • 1x Glider Access Plate (Access will be positioned as standard on the right hand side)



FLOAT

FINISHES

All poles and components may be specified in this stunning palette of colours and finishes, with a choice of coat options throughout.

### SHADES

A superb selection of opaque colours, all available in a choice of Matte, Satin or Gloss finish.

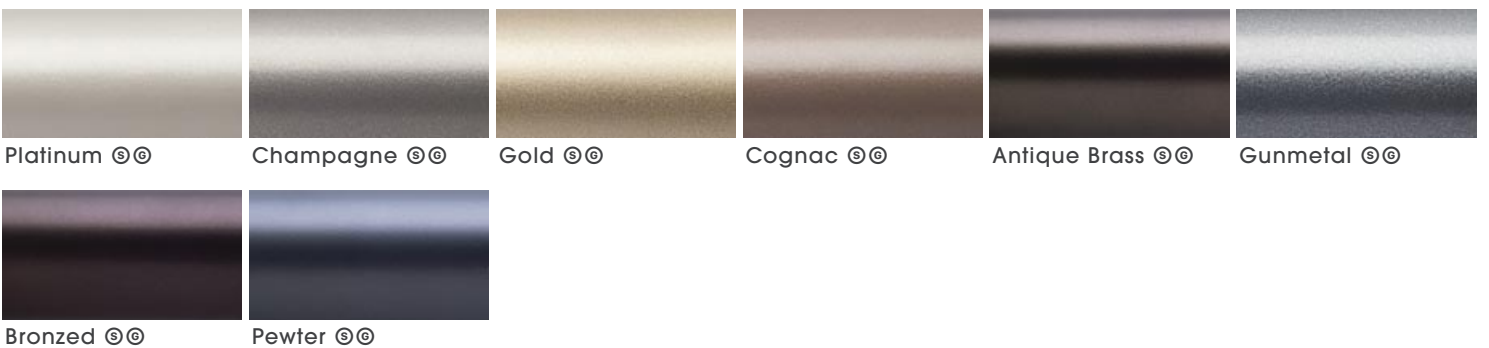
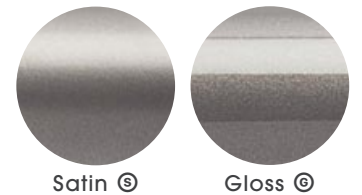
#### COAT OPTIONS



### METALLICS

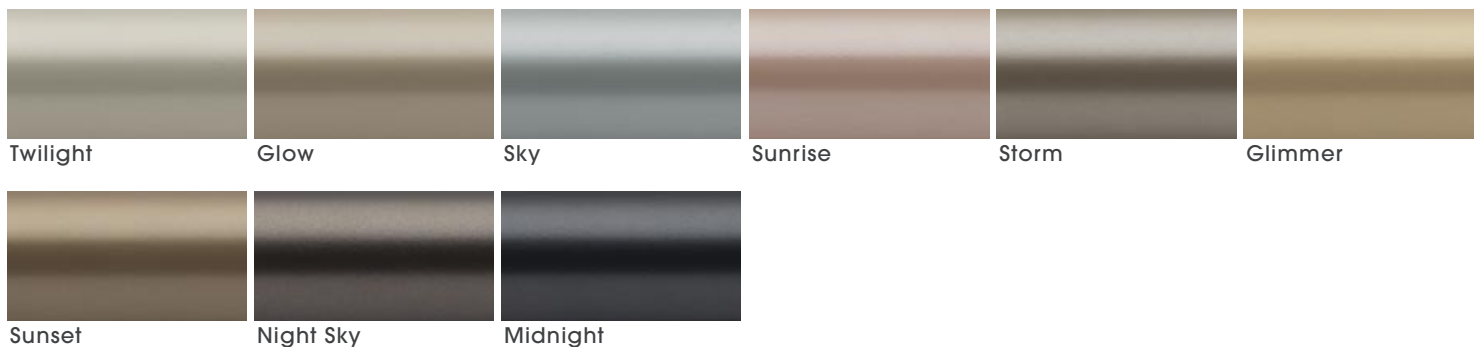
High metallic fleck coatings with most available in Satin and Gloss sheen levels.

#### COAT OPTIONS



### ANODIC METALS

A flat metal colour group, with an anodised style surface texture.




---

### CUSTOM FINISHES

Can be specified from RAL K7 finish chart, subject to a per colour upcharge. Which covers up to five poles. See price list for further details






---

### COLOUR MATCHING

A colour matching service is offered, to match your scheme of fittings perfectly . See price list for further details

Rings will be supplied with Gliders & Liners in either Gypsum or Anthracite. See table below

**Coat Options** Matte<sup>Ⓜ</sup> • Satin<sup>Ⓢ</sup> • Gloss<sup>ⓖ</sup>

System Finish	Gypsum 	Anthracite 
Alabaster <sup>ⓖⓖⓖ</sup>	✓	
Antique Brass <sup>ⓈⓈ</sup>		✓
Barley <sup>ⓈⓈⓈ</sup>	✓	
Bone <sup>ⓈⓈⓈ</sup>	✓	
Burnt Ash <sup>ⓈⓈⓈ</sup>		✓
Bronzed <sup>ⓈⓈ</sup>		✓
Champagne <sup>ⓈⓈ</sup>		✓
Charcoal <sup>ⓈⓈⓈ</sup>		✓
Clay <sup>ⓈⓈⓈ</sup>		✓
Cloud <sup>ⓈⓈⓈ</sup>	✓	
Cocoa <sup>ⓈⓈⓈ</sup>		✓
Cognac <sup>ⓈⓈ</sup>		✓
Cream <sup>ⓈⓈⓈ</sup>	✓	
Dove <sup>ⓈⓈⓈ</sup>	✓	
Dusk <sup>ⓈⓈⓈ</sup>	✓	
Earth <sup>ⓈⓈⓈ</sup>		✓
Flint <sup>ⓈⓈⓈ</sup>		✓
Frame Grey <sup>ⓈⓈⓈ</sup>		✓
Glimmer		✓
Glow		✓
Gold <sup>ⓈⓈ</sup>		✓
Grey Moss <sup>ⓈⓈⓈ</sup>		✓
Gunmetal <sup>ⓈⓈ</sup>		✓
Lead <sup>ⓈⓈⓈ</sup>		✓
Midnight		✓
Millstone <sup>ⓈⓈⓈ</sup>		✓
Mineral <sup>ⓈⓈⓈ</sup>	✓	
Moss <sup>ⓈⓈⓈ</sup>		✓
Night Sky		✓
Oatmeal <sup>ⓈⓈⓈ</sup>		✓
Parchment <sup>ⓈⓈⓈ</sup>	✓	
Pewter <sup>ⓈⓈ</sup>		✓
Platinum <sup>ⓈⓈ</sup>		✓
Raven <sup>ⓈⓈⓈ</sup>		✓
Sky		✓
Smoke <sup>ⓈⓈⓈ</sup>		✓
Stone <sup>ⓈⓈⓈ</sup>		✓
Storm		✓
Sunrise		✓
Sunset		✓
Twilight		✓

FLOAT

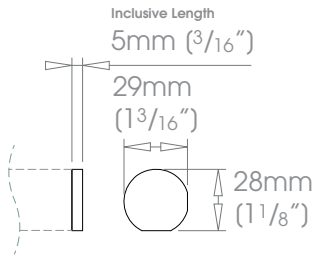
FINIALS



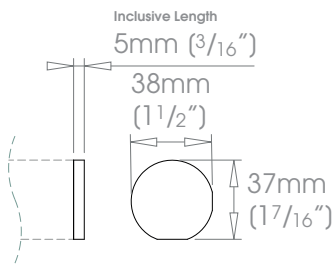
The seamless finial is an integral part of the pole.  
 If this is selected optional finials can not be added at a later date.

- FINISHES** **Shades** ☉☉☉ Alabaster • Barley • Bone • Burnt Ash • Charcoal • Clay • Cloud • Cocoa • Cream • Dove • Dusk • Earth • Flint • Frame Grey • Grey Moss  
 Lead • Millstone • Mineral • Moss • Oatmeal • Parchment • Raven • Smoke • Stone  
**Coat Options** **Metallics** ☉☉ Antique Brass • Bronzed • Champagne • Cognac • Gold • Gunmetal • Pewter • Platinum  
**Anodics** Glimmer • Glow • Midnight • Night Sky • Sky • Storm • Sunrise • Sunset • Twilight  
**Matte** ☉  
**Satin** ☉  
**Gloss** ☉

## 30mm (1<sup>3</sup>/<sub>16</sub>"



## 38mm (1<sup>1</sup>/<sub>2</sub>"

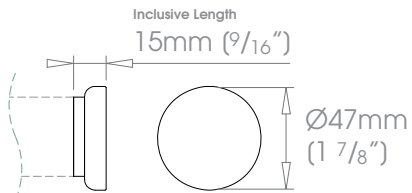
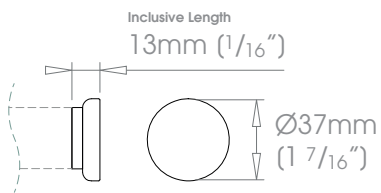




**FINISHES** **Shades** ☉☉☉ Alabaster • Barley • Bone • Burnt Ash • Charcoal • Clay • Cloud • Cocoa • Cream • Dove • Dusk • Earth • Flint • Frame Grey • Grey Moss  
 Lead • Millstone • Mineral • Moss • Oatmeal • Parchment • Raven • Smoke • Stone  
**Coat Options** **Metallics** ☉☉ Antique Brass • Bronzed • Champagne • Cognac • Gold • Gunmetal • Pewter • Platinum  
**Anodics** Glimmer • Glow • Midnight • Night Sky • Sky • Storm • Sunrise • Sunset • Twilight  
 Matte ☉  
 Satin ☉  
 Gloss ☉

30mm (1<sup>3</sup>/<sub>16</sub>"

38mm (1<sup>1</sup>/<sub>2</sub>"

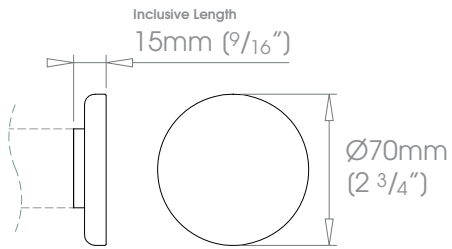
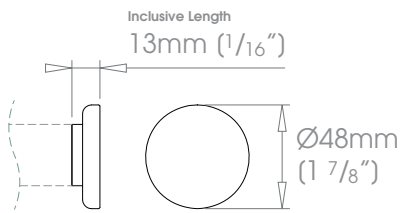




**FINISHES** **Shades** @@@ Alabaster • Barley • Bone • Burnt Ash • Charcoal • Clay • Cloud • Cocoa • Cream • Dove • Dusk • Earth • Flint • Frame Grey • Grey Moss  
Lead • Millstone • Mineral • Moss • Oatmeal • Parchment • Raven • Smoke • Stone  
**Coat Options** **Metallics** @@ Antique Brass • Bronzed • Champagne • Cognac • Gold • Gunmetal • Pewter • Platinum  
**Anodics** Glimmer • Glow • Midnight • Night Sky • Sky • Storm • Sunrise • Sunset • Twilight  
Matte @  
Satin @  
Gloss @

**30mm (1<sup>3</sup>/<sub>16</sub>"**

**38mm (1<sup>1</sup>/<sub>2</sub>"**

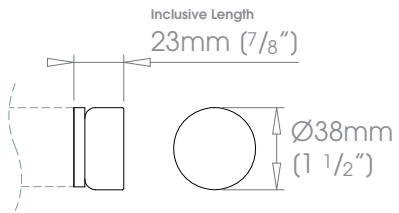
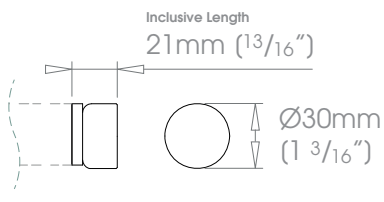




**FINISHES** Shades @@@ Alabaster • Barley • Bone • Burnt Ash • Charcoal • Clay • Cloud • Cocoa • Cream • Dove • Dusk • Earth • Flint • Frame Grey • Grey Moss  
 Lead • Millstone • Mineral • Moss • Oatmeal • Parchment • Raven • Smoke • Stone  
 Coat Options **Metallics** @@ Antique Brass • Bronzed • Champagne • Cognac • Gold • Gunmetal • Pewter • Platinum  
**Anodics** Glimmer • Glow • Midnight • Night Sky • Sky • Storm • Sunrise • Sunset • Twilight  
 Matte @  
 Satin @  
 Gloss @

30mm (1<sup>3</sup>/<sub>16</sub>"

38mm (1<sup>1</sup>/<sub>2</sub>"

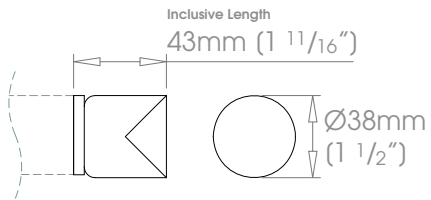
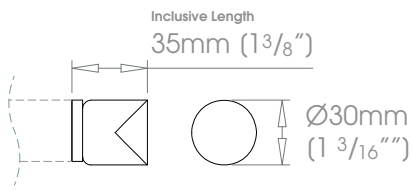




**FINISHES** **Shades** @@@ Alabaster • Barley • Bone • Burnt Ash • Charcoal • Clay • Cloud • Cocoa • Cream • Dove • Dusk • Earth • Flint • Frame Grey • Grey Moss  
 Lead • Millstone • Mineral • Moss • Oatmeal • Parchment • Raven • Smoke • Stone  
**Coat Options** **Metallics** @@ Antique Brass • Bronzed • Champagne • Cognac • Gold • Gunmetal • Pewter • Platinum  
**Anodics** Glimmer • Glow • Midnight • Night Sky • Sky • Storm • Sunrise • Sunset • Twilight  
 Matte @  
 Satin @  
 Gloss @

30mm (1<sup>3</sup>/<sub>16</sub>"

38mm (1<sup>1</sup>/<sub>2</sub>"

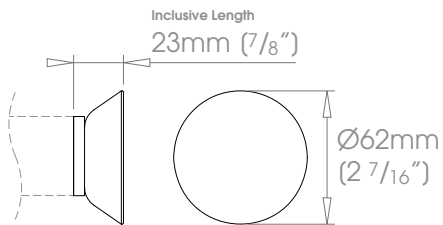
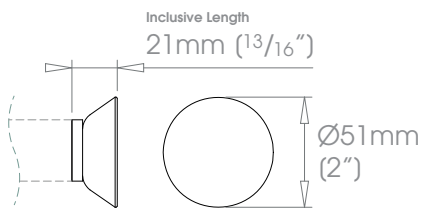




**FINISHES** **Shades** ☉☉☉ Alabaster • Barley • Bone • Burnt Ash • Charcoal • Clay • Cloud • Cocoa • Cream • Dove • Dusk • Earth • Flint • Frame Grey • Grey Moss  
 Lead • Millstone • Mineral • Moss • Oatmeal • Parchment • Raven • Smoke • Stone  
**Coat Options** **Metallics** ☉☉ Antique Brass • Bronzed • Champagne • Cognac • Gold • Gunmetal • Pewter • Platinum  
**Anodics** Glimmer • Glow • Midnight • Night Sky • Sky • Storm • Sunrise • Sunset • Twilight  
 Matte ☉  
 Satin ☉  
 Gloss ☉

30mm (1<sup>3</sup>/<sub>16</sub>"

38mm (1<sup>1</sup>/<sub>2</sub>"

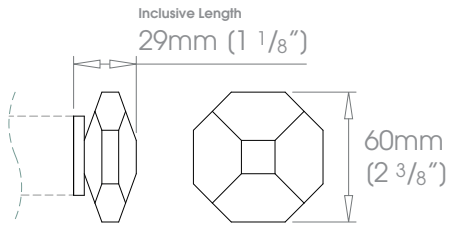
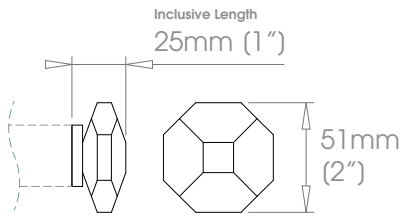




**FINISHES** **Shades** ☉☉☉ Alabaster • Barley • Bone • Burnt Ash • Charcoal • Clay • Cloud • Cocoa • Cream • Dove • Dusk • Earth • Flint • Frame Grey • Grey Moss  
 Lead • Millstone • Mineral • Moss • Oatmeal • Parchment • Raven • Smoke • Stone  
**Coat Options** **Metallics** ☉☉ Antique Brass • Bronzed • Champagne • Cognac • Gold • Gunmetal • Pewter • Platinum  
**Anodics** Glimmer • Glow • Midnight • Night Sky • Sky • Storm • Sunrise • Sunset • Twilight  
 Matte ☉  
 Satin ☉  
 Gloss ☉

30mm (1<sup>3</sup>/<sub>16</sub>"

38mm (1<sup>1</sup>/<sub>2</sub>"

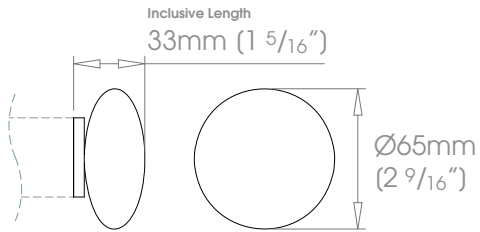
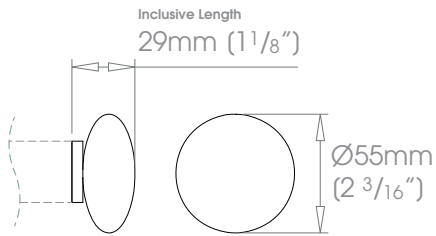




**FINISHES** **Shades** ☉☉☉ Alabaster • Barley • Bone • Burnt Ash • Charcoal • Clay • Cloud • Cocoa • Cream • Dove • Dusk • Earth • Flint • Frame Grey • Grey Moss  
Lead • Millstone • Mineral • Moss • Oatmeal • Parchment • Raven • Smoke • Stone  
**Coat Options** **Metallics** ☉☉ Antique Brass • Bronzed • Champagne • Cognac • Gold • Gunmetal • Pewter • Platinum  
**Anodics** Glimmer • Glow • Midnight • Night Sky • Sky • Storm • Sunrise • Sunset • Twilight  
Matte ☉  
Satin ☉  
Gloss ☉

30mm (1<sup>3</sup>/<sub>16</sub>"

38mm (1<sup>1</sup>/<sub>2</sub>"

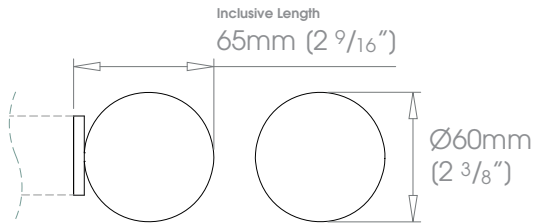
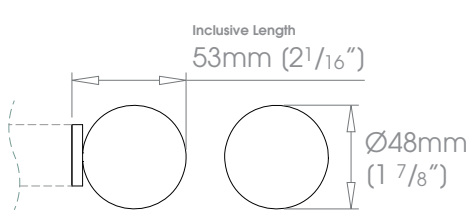




**FINISHES** **Shades** ☉☉☉ Alabaster • Barley • Bone • Burnt Ash • Charcoal • Clay • Cloud • Cocoa • Cream • Dove • Dusk • Earth • Flint • Frame Grey • Grey Moss  
Lead • Millstone • Mineral • Moss • Oatmeal • Parchment • Raven • Smoke • Stone  
**Coat Options** **Metallics** ☉☉ Antique Brass • Bronzed • Champagne • Cognac • Gold • Gunmetal • Pewter • Platinum  
**Anodics** Glimmer • Glow • Midnight • Night Sky • Sky • Storm • Sunrise • Sunset • Twilight  
Matte ☉  
Satin ☉  
Gloss ☉

30mm (1<sup>3</sup>/<sub>16</sub>"

38mm (1<sup>1</sup>/<sub>2</sub>"



The following finials from our other collections can be specified on request.

### MIO

For specific please refer to the Mio Specification Guide.

Final	Diameter(s)
Stud	∅38mm (1 1/2")
Disc	∅38mm (1 1/2")
Faceted Disc	∅38mm (1 1/2")
Pebble	∅38mm (1 1/2")
Squat Disc	∅38mm (1 1/2")
Ball	∅38mm (1 1/2")
Crystal Ball	∅38mm (1 1/2")

### ELYSIAN

For specific please refer to the Elysian Specification Guide.

Final	Diameter(s)
Halo	∅30mm (1 3/16") • ∅38mm (1 1/2")
Aura	∅30mm (1 3/16") • ∅38mm (1 1/2")
Orbit	∅30mm (1 3/16") • ∅38mm (1 1/2")
Discus	∅30mm (1 3/16") • ∅38mm (1 1/2")
Jewel	∅30mm (1 3/16") • ∅38mm (1 1/2")
Flute	∅30mm (1 3/16") • ∅38mm (1 1/2")
Squat Globe	∅30mm (1 3/16") • ∅38mm (1 1/2")
Globe	∅30mm (1 3/16") • ∅38mm (1 1/2")
Ribbed Globe	∅30mm (1 3/16") • ∅38mm (1 1/2")
Charm	∅30mm (1 3/16") • ∅38mm (1 1/2")
Templar	∅30mm (1 3/16") • ∅38mm (1 1/2")
Crystal Templar	∅38mm (1 1/2")

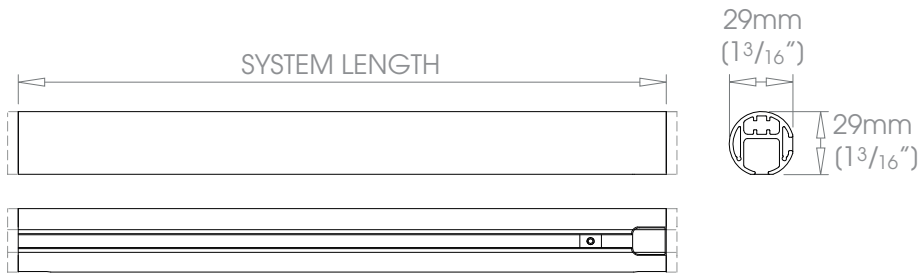
FLOAT

POLES



**FINISHES** **Shades** ☉☉☉ Alabaster • Barley • Bone • Burnt Ash • Charcoal • Clay • Cloud • Cocoa • Cream • Dove • Dusk • Earth • Flint • Frame Grey • Grey Moss  
 Lead • Millstone • Mineral • Moss • Oatmeal • Parchment • Raven • Smoke • Stone  
**Coat Options** **Metallics** ☉☉ Antique Brass • Bronzed • Champagne • Cognac • Gold • Gunmetal • Pewter • Platinum  
**Anodics** Glimmer • Glow • Midnight • Night Sky • Sky • Storm • Sunrise • Sunset • Twilight  
 Matte ☉  
 Satin ☉  
 Gloss ☉

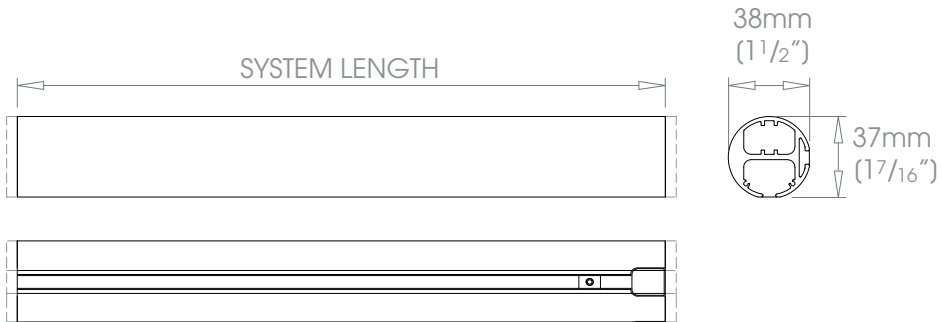
30mm (1<sup>3</sup>/<sub>16</sub>"





**FINISHES** **Shades** ☉☉☉ Alabaster • Barley • Bone • Burnt Ash • Charcoal • Clay • Cloud • Cocoa • Cream • Dove • Dusk • Earth • Flint • Frame Grey • Grey Moss  
 Lead • Millstone • Mineral • Moss • Oatmeal • Parchment • Raven • Smoke • Stone  
**Coat Options** **Metallics** ☉☉ Antique Brass • Bronzed • Champagne • Cognac • Gold • Gunmetal • Pewter • Platinum  
**Anodics** Glimmer • Glow • Midnight • Night Sky • Sky • Storm • Sunrise • Sunset • Twilight  
 Matte ☉  
 Satin ☉  
 Gloss ☉

38mm (1 1/2")



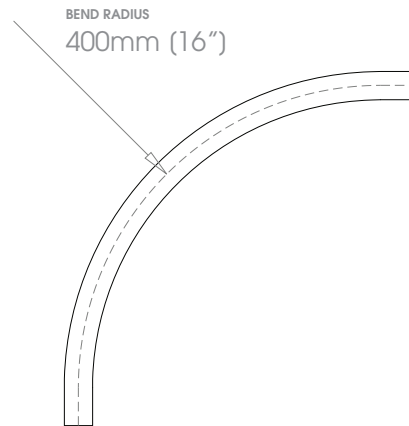
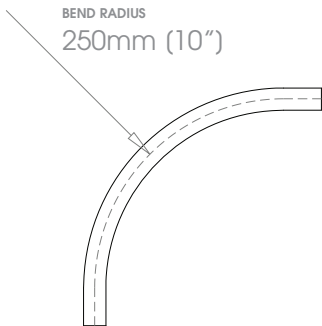


! Return bends are not available.

**FINISHES** **Shades** ☉☉☉ Alabaster • Barley • Bone • Burnt Ash • Charcoal • Clay • Cloud • Cocoa • Cream • Dove • Dusk • Earth • Flint • Frame Grey • Grey Moss • Lead • Millstone • Mineral • Moss • Oatmeal • Parchment • Raven • Smoke • Stone  
**Coat Options** **Metallics** ☉☉ Antique Brass • Bronzed • Champagne • Cognac • Gold • Gunmetal • Pewter • Platinum  
**Anodics** Glimmer • Glow • Midnight • Night Sky • Sky • Storm • Sunrise • Sunset • Twilight  
 Matte ☉  
 Satin ☉  
 Gloss ☉

30mm (1<sup>3</sup>/<sub>16</sub>"

38mm (1<sup>1</sup>/<sub>2</sub>"

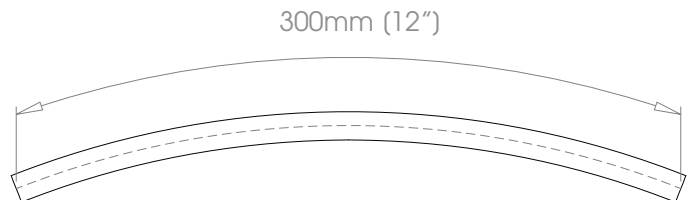
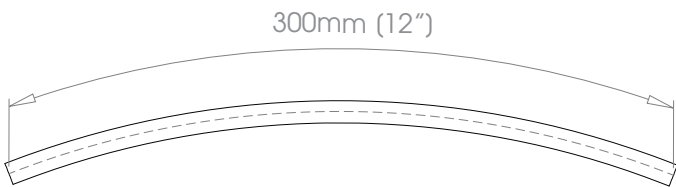




**FINISHES** **Shades** ☉☉☉ Alabaster • Barley • Bone • Burnt Ash • Charcoal • Clay • Cloud • Cocoa • Cream • Dove • Dusk • Earth • Flint • Frame Grey • Grey Moss  
 Lead • Millstone • Mineral • Moss • Oatmeal • Parchment • Raven • Smoke • Stone  
**Coat Options** **Metallics** ☉☉ Antique Brass • Bronzed • Champagne • Cognac • Gold • Gunmetal • Pewter • Platinum  
**Anodics** Glimmer • Glow • Midnight • Night Sky • Sky • Storm • Sunrise • Sunset • Twilight  
 Matte ☉  
 Satin ☉  
 Gloss ☉

30mm (1<sup>3</sup>/<sub>16</sub>" )

38mm (1<sup>1</sup>/<sub>2</sub>" )



FLOAT

BRACKETS



 For custom brackets see page 8

**FINISHES** **Shades** ☉☉☉ Alabaster • Barley • Bone • Burnt Ash • Charcoal • Clay • Cloud • Cocoa • Cream • Dove • Dusk • Earth • Flint • Frame Grey • Grey Moss • Lead • Millstone • Mineral • Moss • Oatmeal • Parchment • Raven • Smoke • Stone

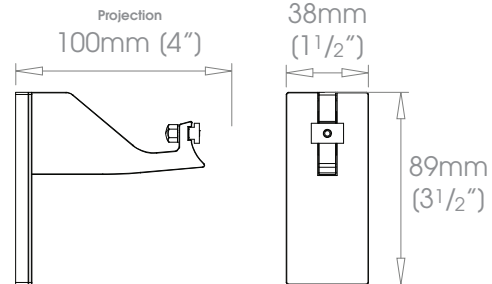
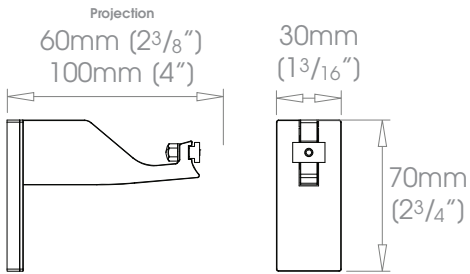
**Coat Options** **Metallics** ☉☉ Antique Brass • Bronzed • Champagne • Cognac • Gold • Gunmetal • Pewter • Platinum

**Anodics** Glimmer • Glow • Midnight • Night Sky • Sky • Storm • Sunrise • Sunset • Twilight

Matte ☉  
 Satin ☉  
 Gloss ☉

### 30mm (1<sup>3</sup>/<sub>16</sub>"

### 38mm (1<sup>1</sup>/<sub>2</sub>"



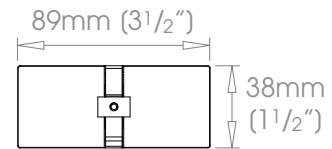
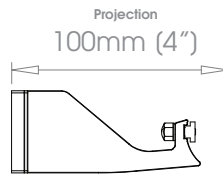
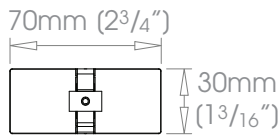
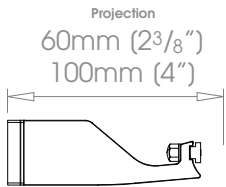


 For custom brackets see page 8

**FINISHES** **Shades** @@@ Alabaster • Barley • Bone • Burnt Ash • Charcoal • Clay • Cloud • Cocoa • Cream • Dove • Dusk • Earth • Flint • Frame Grey • Grey Moss  
 Lead • Millstone • Mineral • Moss • Oatmeal • Parchment • Raven • Smoke • Stone  
**Coat Options** **Metallics** @@ Antique Brass • Bronzed • Champagne • Cognac • Gold • Gunmetal • Pewter • Platinum  
**Anodics** Glimmer • Glow • Midnight • Night Sky • Sky • Storm • Sunrise • Sunset • Twilight  
 Matte @  
 Satin @  
 Gloss @

### 30mm (1<sup>3</sup>/<sub>16</sub>"

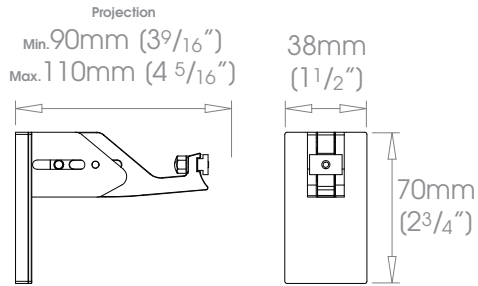
### 38mm (1<sup>1</sup>/<sub>2</sub>"



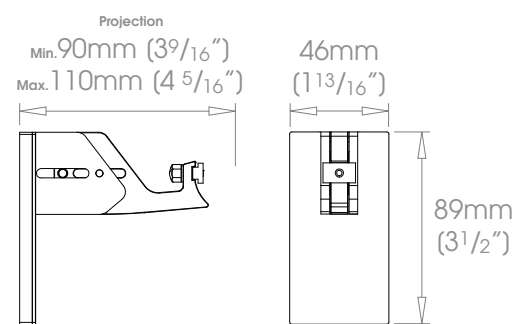


**FINISHES** **Shades** ☉☉☉ Alabaster • Barley • Bone • Burnt Ash • Charcoal • Clay • Cloud • Cocoa • Cream • Dove • Dusk • Earth • Flint • Frame Grey • Grey Moss  
 Lead • Millstone • Mineral • Moss • Oatmeal • Parchment • Raven • Smoke • Stone  
**Coat Options** **Metallics** ☉☉ Antique Brass • Bronzed • Champagne • Cognac • Gold • Gunmetal • Pewter • Platinum  
**Anodics** Glimmer • Glow • Midnight • Night Sky • Sky • Storm • Sunrise • Sunset • Twilight  
 Matte ☉  
 Satin ☉  
 Gloss ☉

### 30mm (1<sup>3</sup>/<sub>16</sub>"



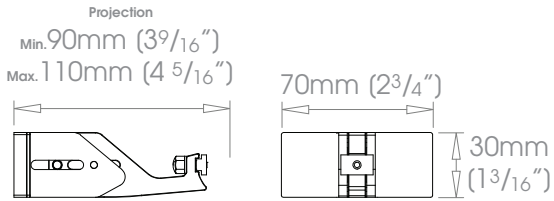
### 38mm (1<sup>1</sup>/<sub>2</sub>"



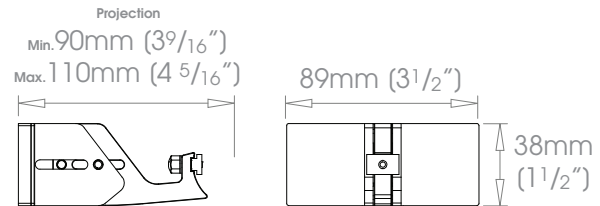


**FINISHES** **Shades** ☉☉☉ Alabaster • Barley • Bone • Burnt Ash • Charcoal • Clay • Cloud • Cocoa • Cream • Dove • Dusk • Earth • Flint • Frame Grey • Grey Moss  
 Lead • Millstone • Mineral • Moss • Oatmeal • Parchment • Raven • Smoke • Stone  
**Coat Options** **Metallics** ☉☉ Antique Brass • Bronzed • Champagne • Cognac • Gold • Gunmetal • Pewter • Platinum  
**Anodics** Glimmer • Glow • Midnight • Night Sky • Sky • Storm • Sunrise • Sunset • Twilight  
 Matte ☉  
 Satin ☉  
 Gloss ☉

### 30mm (1<sup>3</sup>/<sub>16</sub>"



### 38mm (1<sup>1</sup>/<sub>2</sub>"





 For custom brackets see page 8

**FINISHES** **Shades** ☉☉☉ Alabaster • Barley • Bone • Burnt Ash • Charcoal • Clay • Cloud • Cocoa • Cream • Dove • Dusk • Earth • Flint • Frame Grey • Grey Moss • Lead • Millstone • Mineral • Moss • Oatmeal • Parchment • Raven • Smoke • Stone

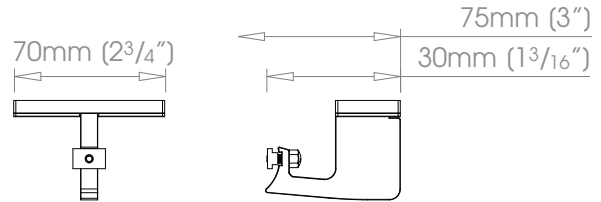
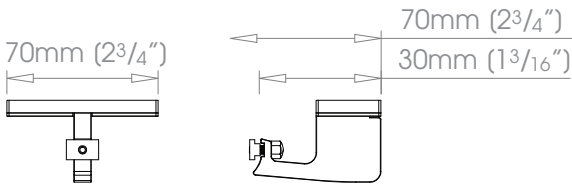
**Coat Options** **Metallics** ☉☉ Antique Brass • Bronzed • Champagne • Cognac • Gold • Gunmetal • Pewter • Platinum

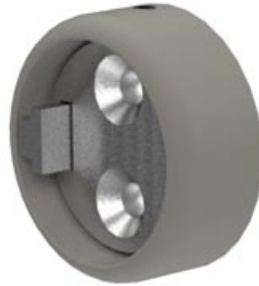
**Anodics** Glimmer • Glow • Midnight • Night Sky • Sky • Storm • Sunrise • Sunset • Twilight

Matte ☉  
Satin ☉  
Gloss ☉

### 30mm (1<sup>3</sup>/<sub>16</sub>"

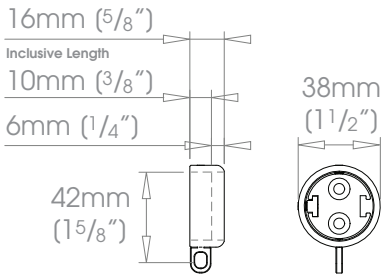
### 38mm (1<sup>1</sup>/<sub>2</sub>"



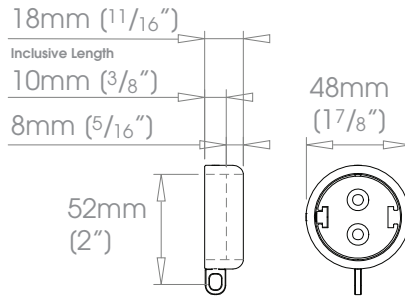


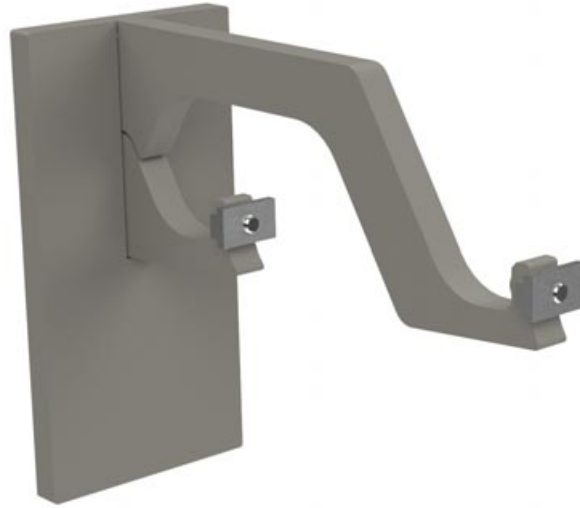
**FINISHES** **Shades** ☉☉☉ Alabaster • Barley • Bone • Burnt Ash • Charcoal • Clay • Cloud • Cocoa • Cream • Dove • Dusk • Earth • Flint • Frame Grey • Grey Moss  
 Lead • Millstone • Mineral • Moss • Oatmeal • Parchment • Raven • Smoke • Stone  
**Coat Options** **Metallics** ☉☉ Antique Brass • Bronzed • Champagne • Cognac • Gold • Gunmetal • Pewter • Platinum  
**Anodics** Glimmer • Glow • Midnight • Night Sky • Sky • Storm • Sunrise • Sunset • Twilight  
 Matte ☉  
 Satin ☉  
 Gloss ☉

### 30mm (1<sup>3</sup>/<sub>16</sub>"



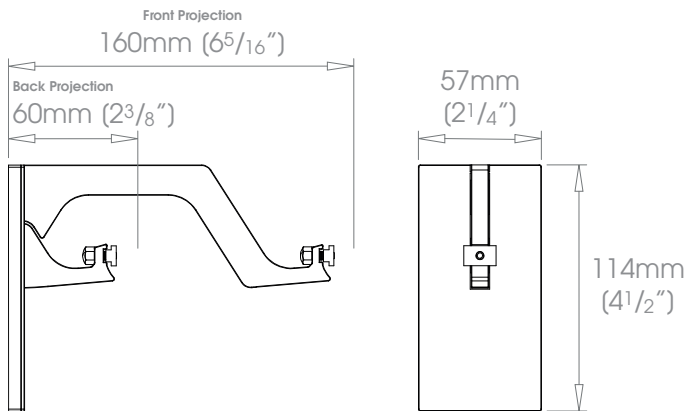
### 38mm (1<sup>1</sup>/<sub>2</sub>"



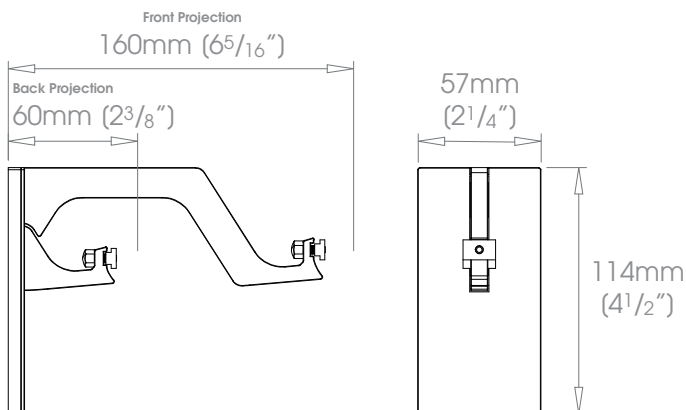


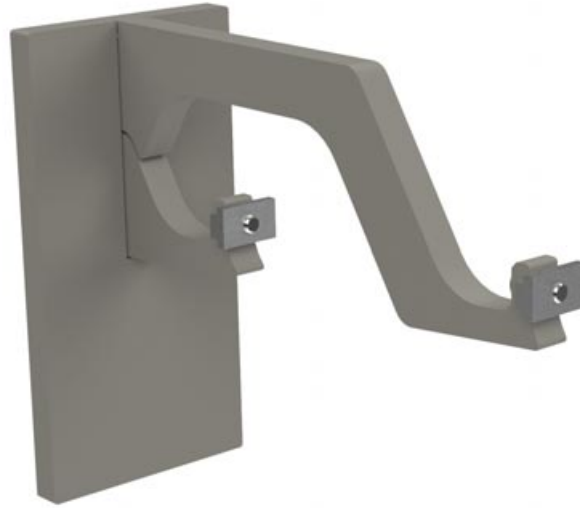
**FINISHES** **Shades** ☉☉☉ Alabaster • Barley • Bone • Burnt Ash • Charcoal • Clay • Cloud • Cocoa • Cream • Dove • Dusk • Earth • Flint • Frame Grey • Grey Moss  
 Lead • Millstone • Mineral • Moss • Oatmeal • Parchment • Raven • Smoke • Stone  
**Coat Options** **Metallics** ☉☉ Antique Brass • Bronzed • Champagne • Cognac • Gold • Gunmetal • Pewter • Platinum  
**Anodics** Glimmer • Glow • Midnight • Night Sky • Sky • Storm • Sunrise • Sunset • Twilight  
 Matte ☉  
 Satin ☉  
 Gloss ☉

**F30mm (1<sup>3</sup>/<sub>16</sub>" ) B30mm (1<sup>3</sup>/<sub>16</sub>" )**



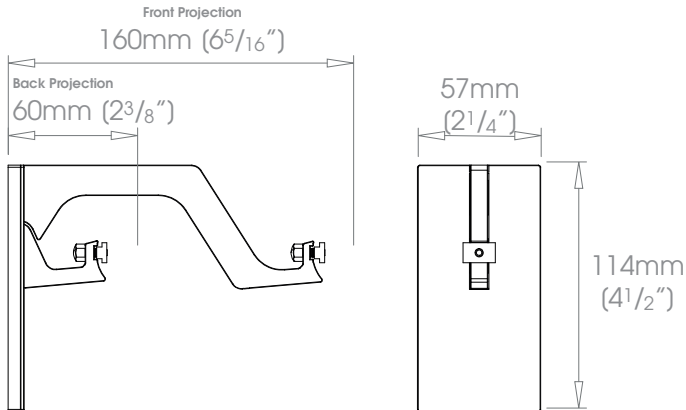
**F38mm (1<sup>1</sup>/<sub>2</sub>" ) B30mm (1<sup>3</sup>/<sub>16</sub>" )**





**FINISHES** **Shades** ☉☉☉ Alabaster • Barley • Bone • Burnt Ash • Charcoal • Clay • Cloud • Cocoa • Cream • Dove • Dusk • Earth • Flint • Frame Grey • Grey Moss  
 Lead • Millstone • Mineral • Moss • Oatmeal • Parchment • Raven • Smoke • Stone  
**Coat Options** **Metallics** ☉☉ Antique Brass • Bronzed • Champagne • Cognac • Gold • Gunmetal • Pewter • Platinum  
**Anodics** Glimmer • Glow • Midnight • Night Sky • Sky • Storm • Sunrise • Sunset • Twilight  
**Matte** ☉  
**Satin** ☉  
**Gloss** ☉

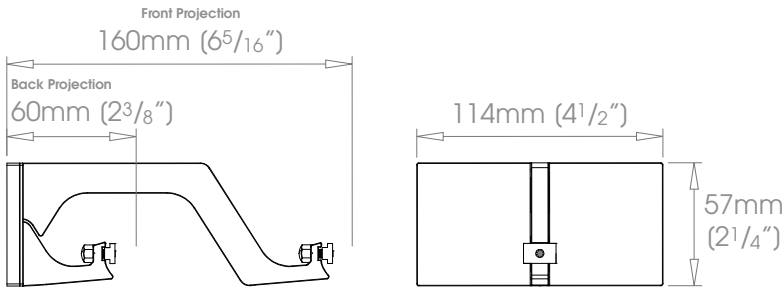
F38mm (1 1/2") B38mm (1 1/2")



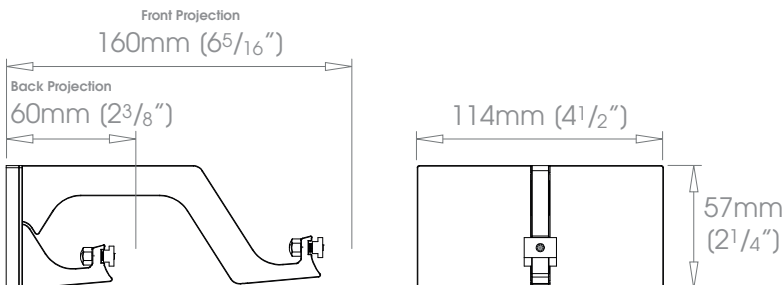


**FINISHES** Shades ☉☉☉ Alabaster • Barley • Bone • Burnt Ash • Charcoal • Clay • Cloud • Cocoa • Cream • Dove • Dusk • Earth • Flint • Frame Grey • Grey Moss  
 Lead • Millstone • Mineral • Moss • Oatmeal • Parchment • Raven • Smoke • Stone  
 Coat Options **Metallics** ☉☉ Antique Brass • Bronzed • Champagne • Cognac • Gold • Gunmetal • Pewter • Platinum  
**Anodics** Glimmer • Glow • Midnight • Night Sky • Sky • Storm • Sunrise • Sunset • Twilight  
 Matte ☉  
 Satin ☉  
 Gloss ☉

### F30mm (1<sup>3</sup>/<sub>16</sub>" ) B30mm (1<sup>3</sup>/<sub>16</sub>" )



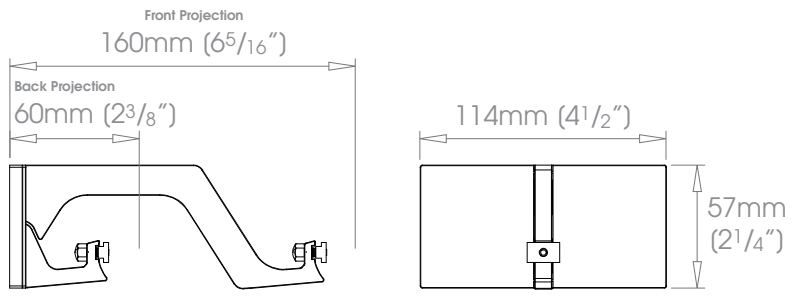
### F38mm (1<sup>1</sup>/<sub>2</sub>" ) B30mm (1<sup>3</sup>/<sub>16</sub>" )

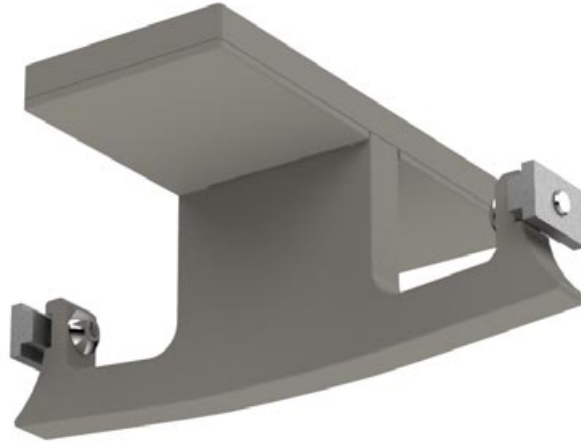




**FINISHES** **Shades** ☉☉☉ Alabaster • Barley • Bone • Burnt Ash • Charcoal • Clay • Cloud • Cocoa • Cream • Dove • Dusk • Earth • Flint • Frame Grey • Grey Moss  
 Lead • Millstone • Mineral • Moss • Oatmeal • Parchment • Raven • Smoke • Stone  
**Coat Options** **Metallics** ☉☉ Antique Brass • Bronzed • Champagne • Cognac • Gold • Gunmetal • Pewter • Platinum  
**Anodics** Glimmer • Glow • Midnight • Night Sky • Sky • Storm • Sunrise • Sunset • Twilight  
 Matte ☉  
 Satin ☉  
 Gloss ☉

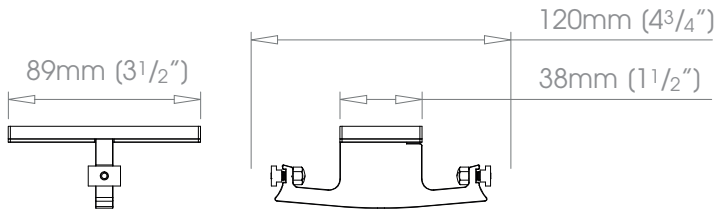
F38mm (1 1/2") B38mm (1 1/2")



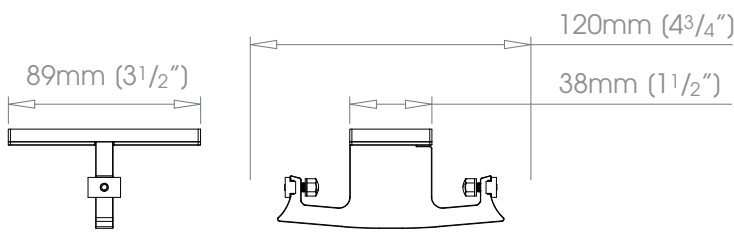


**FINISHES** **Shades** ☉☉☉ Alabaster • Barley • Bone • Burnt Ash • Charcoal • Clay • Cloud • Cocoa • Cream • Dove • Dusk • Earth • Flint • Frame Grey • Grey Moss  
 Lead • Millstone • Mineral • Moss • Oatmeal • Parchment • Raven • Smoke • Stone  
**Coat Options** **Metallics** ☉☉ Antique Brass • Bronzed • Champagne • Cognac • Gold • Gunmetal • Pewter • Platinum  
**Anodics** Glimmer • Glow • Midnight • Night Sky • Sky • Storm • Sunrise • Sunset • Twilight  
 Matte ☉  
 Satin ☉  
 Gloss ☉

**F30mm (1<sup>3</sup>/<sub>16</sub>" ) B30mm (1<sup>3</sup>/<sub>16</sub>" )**



**F38mm (1<sup>1</sup>/<sub>2</sub>" ) B38mm (1<sup>1</sup>/<sub>2</sub>" )**



FLOAT

RINGS



Ring will be supplied in Gypsum or Anthracite Liner & Roller see page 16

**FINISHES** **Shades** ☉☉☉ Alabaster • Barley • Bone • Burnt Ash • Charcoal • Clay • Cloud • Cocoa • Cream • Dove • Dusk • Earth • Flint • Frame Grey • Grey Moss • Lead • Millstone • Mineral • Moss • Oatmeal • Parchment • Raven • Smoke • Stone

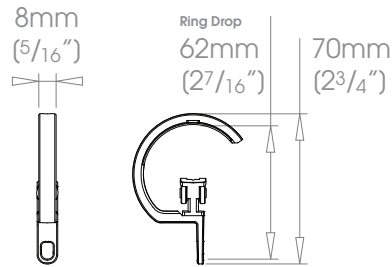
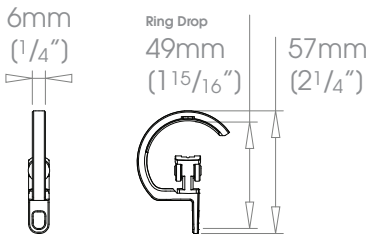
**Coat Options** **Metallics** ☉☉ Antique Brass • Bronzed • Champagne • Cognac • Gold • Gunmetal • Pewter • Platinum

**Anodics** Glimmer • Glow • Midnight • Night Sky • Sky • Storm • Sunrise • Sunset • Twilight

Matte ☉  
Satin ☉  
Gloss ☉

30mm (1<sup>3</sup>/<sub>16</sub>"

38mm (1<sup>1</sup>/<sub>2</sub>"



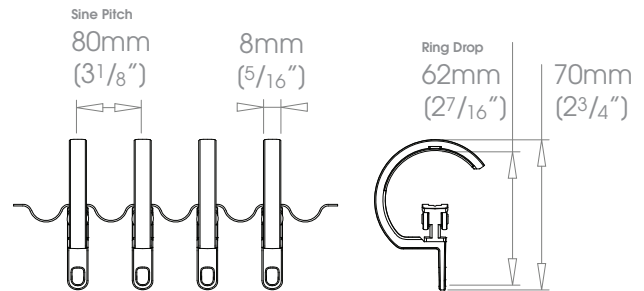
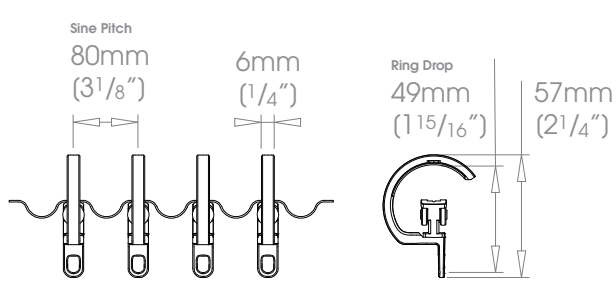


Ring will be supplied in Gypsum or Anthracite Liner & Roller see page 16

**FINISHES** Shades ☉☉☉ Alabaster • Barley • Bone • Burnt Ash • Charcoal • Clay • Cloud • Cocoa • Cream • Dove • Dusk • Earth • Flint • Frame Grey • Grey Moss  
 Lead • Millstone • Mineral • Moss • Oatmeal • Parchment • Raven • Smoke • Stone  
 Coat Options **Metallics** ☉☉ Antique Brass • Bronzed • Champagne • Cognac • Gold • Gunmetal • Pewter • Platinum  
**Anodics** Glimmer • Glow • Midnight • Night Sky • Sky • Storm • Sunrise • Sunset • Twilight  
 Matte ☉  
 Satin ☉  
 Gloss ☉

### 30mm (1<sup>3</sup>/<sub>16</sub>"

### 38mm (1<sup>1</sup>/<sub>2</sub>"



FLOAT

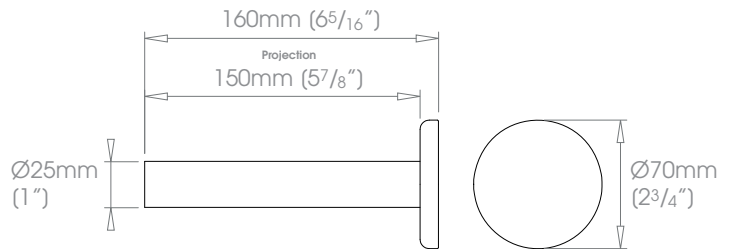
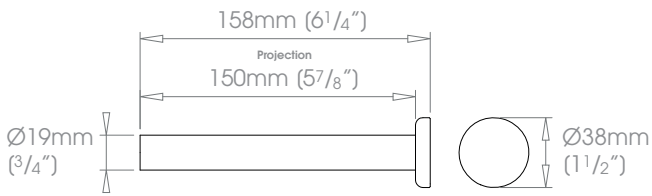
ACCESSORIES

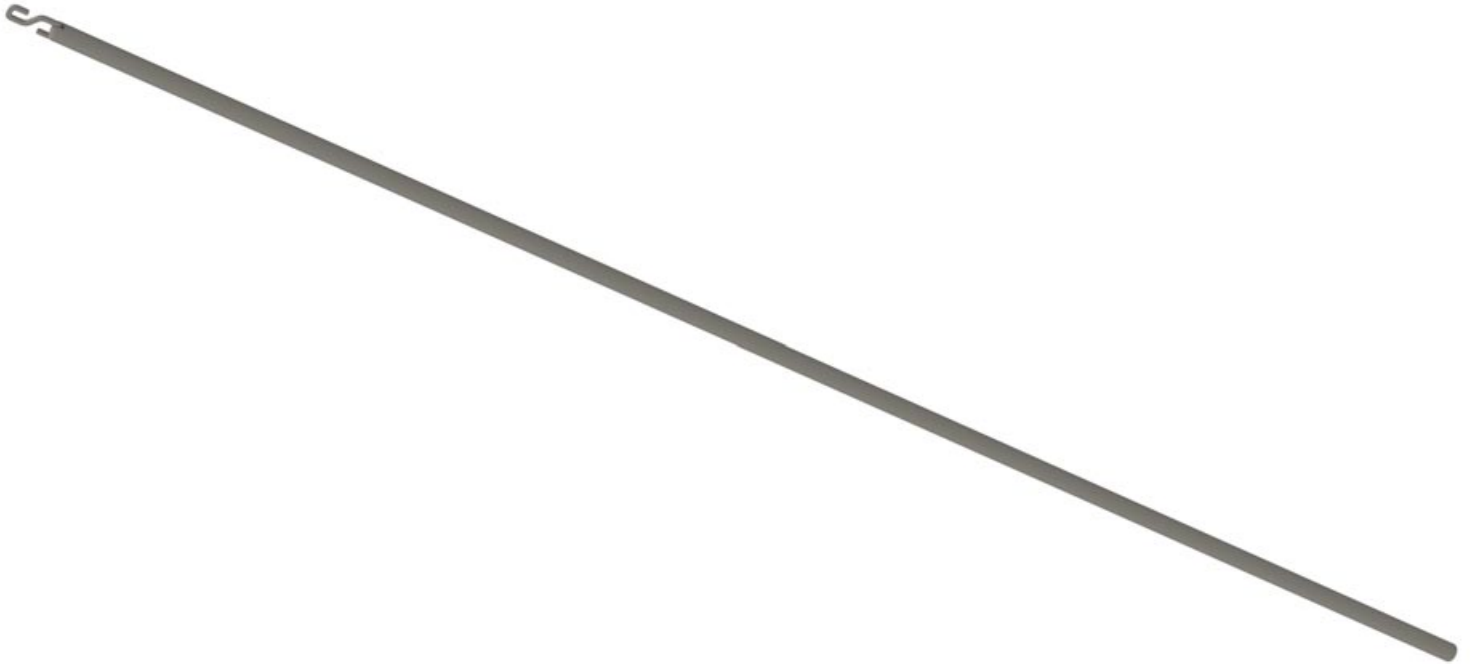


**FINISHES** **Shades** ☉☉☉ Alabaster • Barley • Bone • Burnt Ash • Charcoal • Clay • Cloud • Cocoa • Cream • Dove • Dusk • Earth • Flint • Frame Grey • Grey Moss  
Lead • Millstone • Mineral • Moss • Oatmeal • Parchment • Raven • Smoke • Stone  
**Coat Options** **Metallics** ☉☉ Antique Brass • Bronzed • Champagne • Cognac • Gold • Gunmetal • Pewter • Platinum  
**Anodics** Glimmer • Glow • Midnight • Night Sky • Sky • Storm • Sunrise • Sunset • Twilight  
Matte ☉  
Satin ☉  
Gloss ☉

## Small

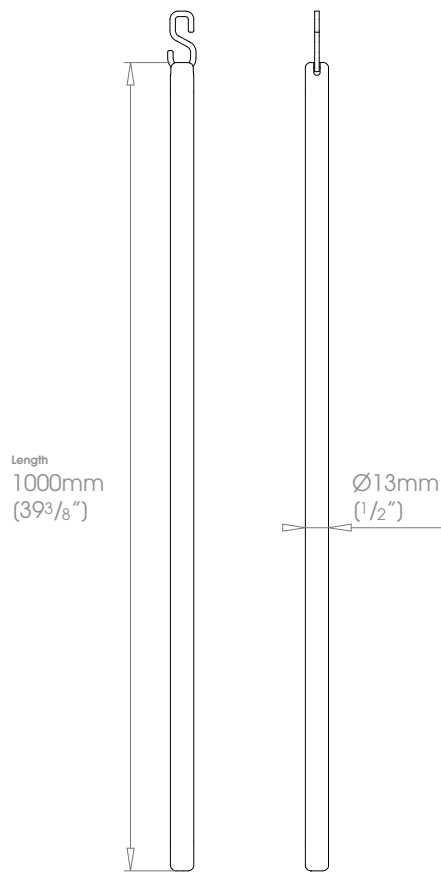
## Grand





**FINISHES** Shades @@@ Alabaster • Barley • Bone • Burnt Ash • Charcoal • Clay • Cloud • Cocoa • Cream • Dove • Dusk • Earth • Flint • Frame Grey • Grey Moss  
Lead • Millstone • Mineral • Moss • Oatmeal • Parchment • Raven • Smoke • Stone  
Coat Options **Metallics** @@ Antique Brass • Bronzed • Champagne • Cognac • Gold • Gunmetal • Pewter • Platinum  
**Anodics** Glimmer • Glow • Midnight • Night Sky • Sky • Storm • Sunrise • Sunset • Twilight  
Matte @  
Satin @  
Gloss @

## Seamless



# CONTACT

[www.bradleycollection.com](http://www.bradleycollection.com)



## UK & REST OF THE WORLD

☎ +44 (0)1449 722 724

✉ [info@bradleycollection.com](mailto:info@bradleycollection.com)

## USA & CANADA

☎ +1 (310) 815 8255

✉ [info.us@bradleycollection.com](mailto:info.us@bradleycollection.com)

---

## LONDON SHOWROOM

☎ +44 (0)207 871 7793

✉ [showroom@studiotwochelsea.com](mailto:showroom@studiotwochelsea.com)

## THE BRADLEY COLLECTION



**Industry Partner**

Supporting the interior design profession

CEDIA  
MEMBER

Specialised fixings for mounting brackets will be required in certain situations and are not provided as standard. Steel items are not recommended for damp conditions such as shower rooms. Crystal finials should not be positioned in direct sunlight, and are not suitable for use in conservatories.

The Bradley Collection reserves the right to modify design and materials without prior notice as part of a process of continual product improvement. Due to printing limitations, colours in this brochure may not be accurate.

Products are protected by Design Rights, under provisions of Copyright, Designs & Patents Act 1988. Bradley® and The Bradley Collection® are registered Community trademarks of The Bradley Collection Ltd. in Europe and registered trademarks of the Bradley Collection, Inc. in the USA. Gliderpole is a registered trademark of The Bradley Collection Ltd in the UK.

**The Bradley Collection Ltd** Lion Barn • Maitland Road • Needham Market • Suffolk • IP6 8NS • UK  
**The Bradley Collection Inc** 10866 Washington Blvd #1275 • Culver City • CA 90232 • USA

Published: 1125 • Copyright © The Bradley Collection Ltd. 2025