

MIO

THE **BRADLEY**
COLLECTION

SPECIFICATION GUIDE

SPECIFICATION GUIDE

This specification guide was designed to outline the main considerations that need to be made when quoting or ordering a system.

If any questions arise please call your local sales representative or contact The Bradley Collection directly.

System Information Page 3-13

POLE Page 4

FRENCH POLES Page 5

JOINING & BAYS Page 6

MINIMUM WALL SIZES Page 7

BRACKET ALIGNMENT Page 8

PASSING SYSTEM Page 9

CUSTOM BRACKETS Page 10

CURTAIN DROPS Page 11-12

DRAPERY ARM Page 13

Finishes Page 14-16

Finials Page 17-40

Brackets Page 41-49

Brackets Page 50-70

Rings Page 71-75

Accessories Page 81

Poles are cut, bent and curved to suit individual requirements.

When calculating the length of your pole, remember to allow tolerance beyond the width of the frame for the curtains to draw back to the edge of the window.

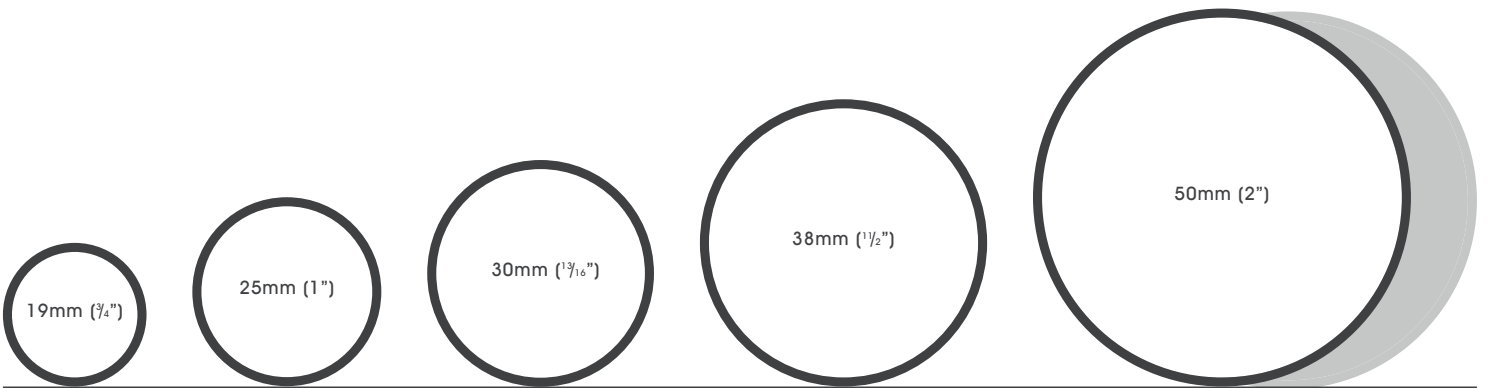
Maximum pole length in one piece 4.0 (157")*

Poles exceeding the recommended maximum distance between brackets, will be cut into equal parts unless otherwise specified.


Pole joiners will be supplied. Mid or passing brackets should be placed at every join.

Pole diameter's - Ø19mm (3/4") • 25mm (1") • 30mm (1 3/16") • 38mm (1 1/2") • 50mm (2")

The overall pole cost is rounded up in 300mm (1ft) increments.



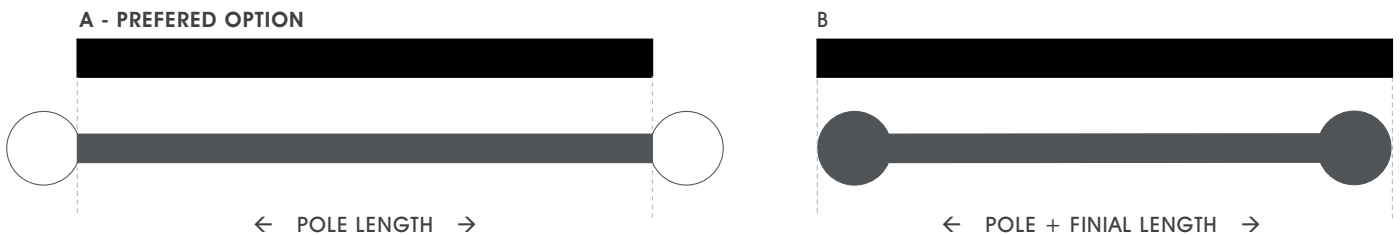
Diameter	Recommended maximum distance between brackets	Recommended curtain type for pole diameter	Minimum bend radius
Ø19mm (3/4")	1800mm (71")	Light to medium weight, lined & non interlined curtains	R75mm (3")
Ø25mm (1")	2000mm (79")	Medium weight, lined & interlined curtains	R100mm (4")
Ø30mm (1 3/16")	2100mm (83")	Medium weight, lined & interlined curtains	R255mm (10")
Ø38mm (1 1/2")	2200mm (87")	Medium to heavy weight, lined & interlined curtains	R255mm (10")
Ø50mm (2")	2400mm (96")	Heavy weight interlined curtains	R255mm (10")
Ø50mm (2") Acrylic pole☼	1500mm (59")	Medium weight, lined & interlined curtains	R200mm (8")

 Acrylic poles should not be positioned in direct sunlight, and are not suitable for use in conservatories. Please ensure the pole is correctly supported. See above for the maximum bracket spacing.

PROVIDING POLE LENGTHS

Pole lengths can be specified in two ways.

OPTION A is our preferred method. This covers Pole length only. **OPTION B** combines pole and finial lengths.



*Section lengths over 2.4m (94") will incur a handling charge ☼ Acrylic poles should not be positioned in direct sunlight, and are not suitable for use in conservatories or outdoors

Poles are cut, bent and curved to suit individual requirements.

When calculating the length of your pole, remember to allow tolerance beyond the width of the frame for the curtains to draw back to the edge of the window.

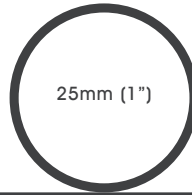
Maximum pole length in one piece 4.0 (157")*.

Poles exceeding the recommended maximum distance between brackets, will be cut into equal parts unless otherwise specified.

Pole joiners will be supplied. Mid or passing brackets should be placed at every join.

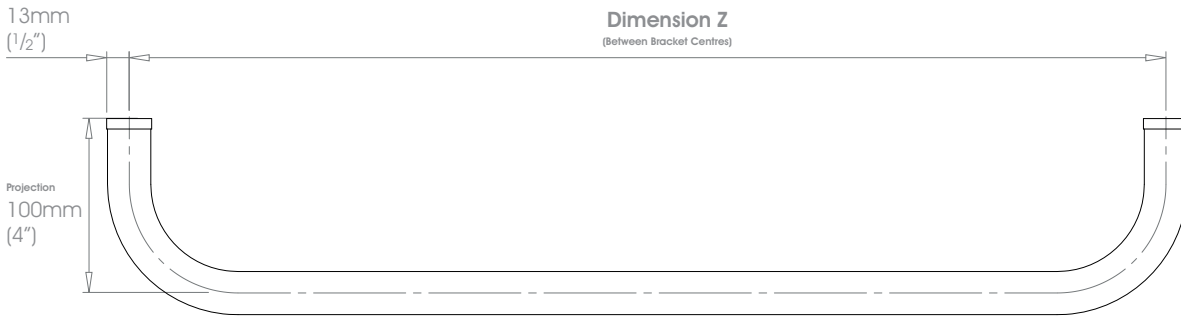
Pole diameter's - Ø25mm (1")

The overall pole cost is rounded up in 300mm (1ft) increments.



Diameter	Recommended maximum distance between brackets	Recommended curtain type for pole diameter	Minimum pole projection	Minimum bend radius
Ø25mm (1")	2000mm (79")	Medium weight, lined & interlined curtains	100mm (4")	R63mm (2½")

25MM (1") FRENCH POLE



PROVIDING POLE LENGTHS

Pole lengths should be specified between bracket centres.



*Section lengths over 2.4m (94") will incur a handling charge

JOINING POLES

Joins must always be supported by a bracket.



BESPOKE BAYS

Bradley's bespoke service allows poles to be specifically made for unique bay windows and complex long span installations. Poles can be shaped to create a system that follows contours. Passing rings have been designed to traverse over brackets and around bends. Using a double pole system in a bay window can create an elegant as well as practical treatment.



One Bend Bay



Two Bend Bay



Square Bay



Four Bend Bay



Continuous Curve

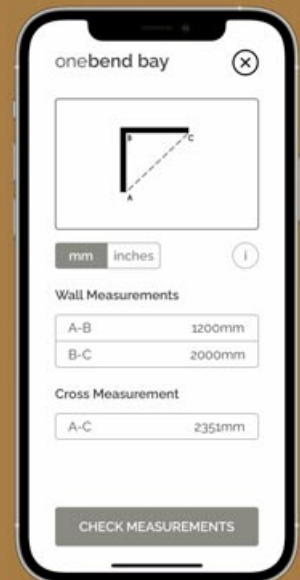
BRADLEY PROJECTS

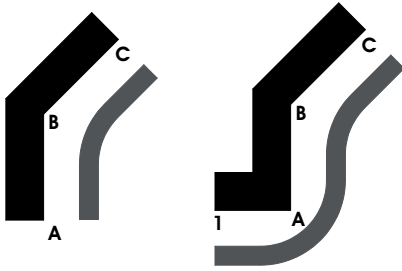
Bradley Projects is an innovative digital tool kit to help with project planning, consisting of a Smartphone Survey App and an online Web Portal.

www.bradleycollection.com/projects/

Survey Tool

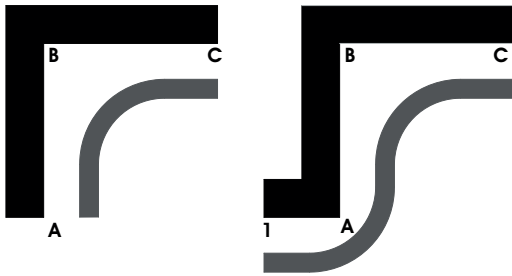
Available as a smartphone app for iOS or Android, Bradley Projects Survey Tool lets you photograph and dimension all window types and incorporates Bradley's clever check technology for bays and curves. Unlimited measurements may be saved locally to your device, shared to your colleagues or uploaded to your online account.





135° Bend Angles

Diameter	Return 1-A	Wall A - B	Wall B - C	Minimum Bend Radius	Minimum Projection
∅19mm (3/4")	n/a	115mm (4 1/2")	115mm (4 1/2")	75mm (3")	60mm (2 3/8")
∅19mm (3/4")	75mm (3")	120mm (4 3/4")	115mm (4 1/2")	75mm (3")	60mm (2 3/8")
∅25mm (1")	n/a	140mm (5 1/2")	140mm (5 1/2")	100mm (4")	60mm (2 3/8")
∅25mm (1")	100mm (4")	140mm (5 1/2")	140mm (5 1/2")	100mm (4")	60mm (2 3/8")
∅30mm (1 1/16")	n/a	240mm (9 7/16")	240mm (9 7/16")	254mm (10")	100mm (4")
∅30mm (1 1/16")	250mm (9 13/16")	390mm (15 3/8")	240mm (9 7/16")	254mm (10")	150mm (5 7/8")
∅38mm (1 1/2")	n/a	240mm (9 7/16")	240mm (9 7/16")	254mm (10")	100mm (4")
∅38mm (1 1/2")	250mm (9 13/16")	390mm (15 3/8")	240mm (9 7/16")	254mm (10")	150mm (5 7/8")
∅50mm (2")	n/a	240mm (9 7/16")	240mm (9 7/16")	254mm (10")	100mm (4")
∅50mm (2")	250mm (9 13/16")	390mm (15 3/8")	240mm (9 7/16")	254mm (10")	150mm (5 7/8")

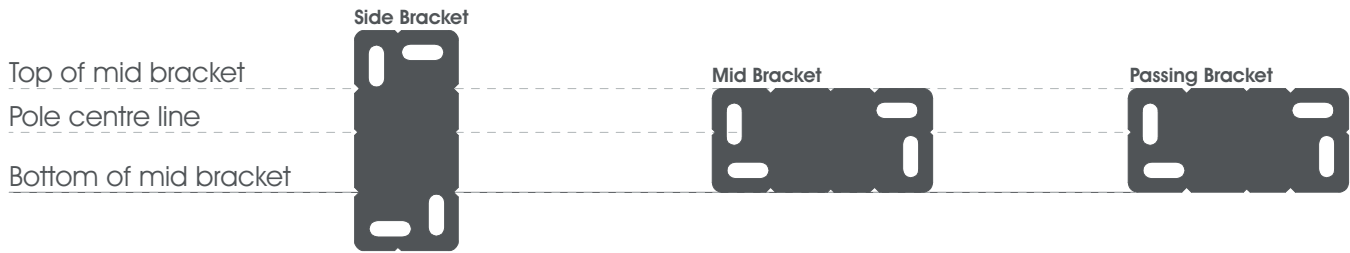


90° Bend Angles

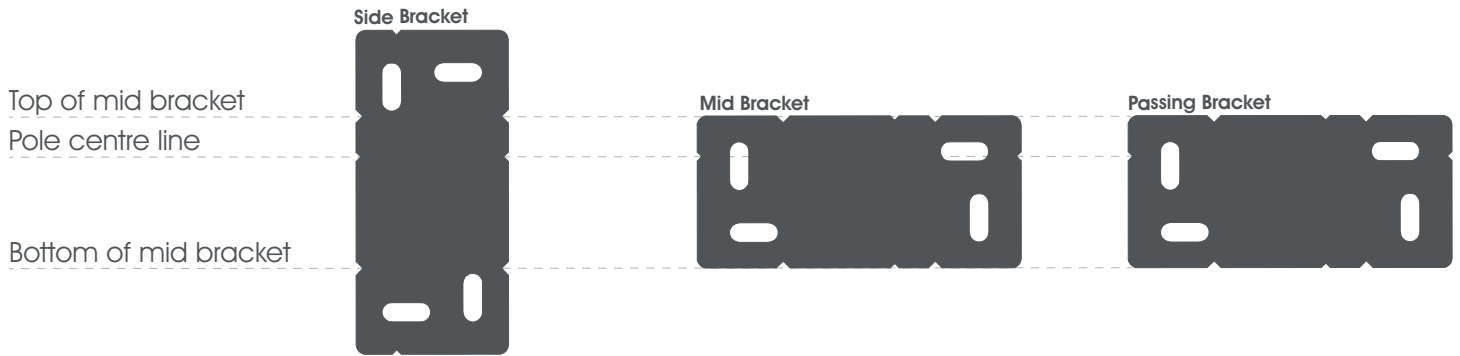
Diameter	Return 1-A	Wall A - B	Wall B - C	Minimum Bend Radius	Minimum Projection
∅19mm (3/4")	n/a	200mm (8")	200mm (8")	75mm (3")	60mm (2 3/8")
∅19mm (3/4")	75mm (3")	200mm (8")	200mm (8")	75mm (3")	60mm (2 3/8")
∅25mm (1")	n/a	230mm (9 1/16")	230mm (9 1/16")	100mm (4")	60mm (2 3/8")
∅25mm (1")	100mm (4")	230mm (9 1/16")	230mm (9 1/16")	100mm (4")	60mm (2 3/8")
∅30mm (1 1/16")	n/a	450mm (17 11/16")	450mm (17 11/16")	254mm (10")	100mm (4")
∅30mm (1 1/16")	250mm (9 13/16")	600mm (23 5/8")	450mm (17 11/16")	254mm (10")	150mm (5 7/8")
∅38mm (1 1/2")	n/a	450mm (17 11/16")	450mm (17 11/16")	254mm (10")	100mm (4")
∅38mm (1 1/2")	250mm (9 13/16")	600mm (23 5/8")	450mm (17 11/16")	254mm (10")	150mm (5 7/8")
∅50mm (2")	n/a	450mm (17 11/16")	450mm (17 11/16")	254mm (10")	100mm (4")
∅50mm (2")	250mm (9 13/16")	600mm (23 5/8")	450mm (17 11/16")	254mm (10")	150mm (5 7/8")

The information below shows the relationship between the bracket backplate. this will enable easy alignments during instalation.

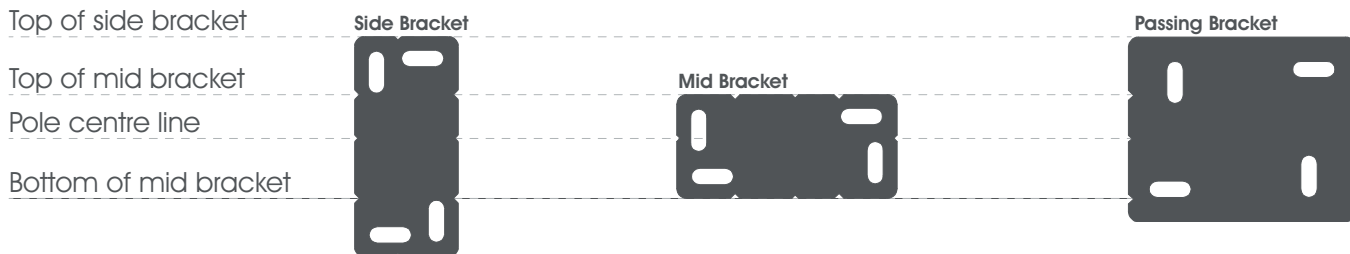
19mm (3/4") • 25mm (1") • 30mm (1 3/16") Single Brackets



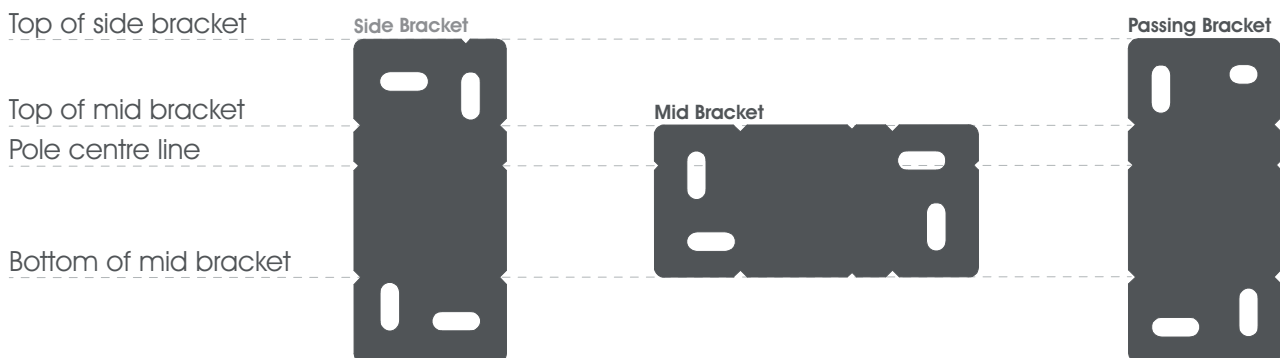
38mm (1 1/2") • 50mm (2") Single Brackets



±25mm (1") ±19mm (3/4") Double Brackets



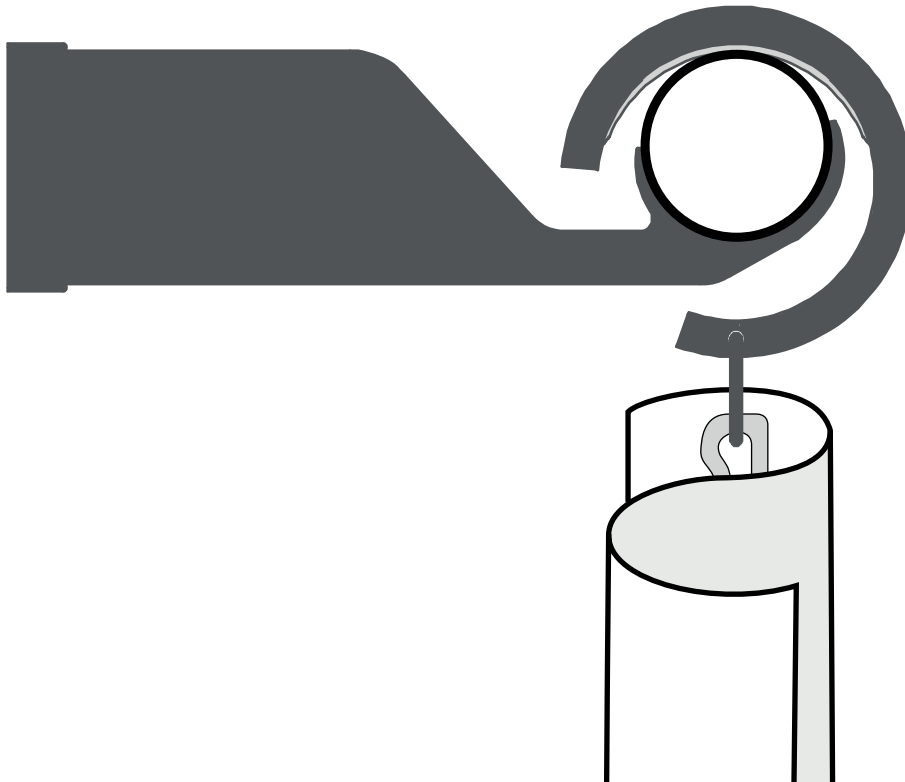
±38mm (1 1/2") ±25mm (1") Double Brackets



Passing brackets and passing rings allow drapes to traverse around bays and multi-pole systems. passing is available on single pole systems. Passing will only work if the system is correctly installed and the drapes are properly made and attached to the rings.

PASSING GUIDELINES

1. Do make sure the top of the drapery ends underneath the main ring and does not touch or go above the bottom of the ring.
2. Always have the drapery hook perpendicular to the ringlet. Ringlets should not be sewn into a pinch pleat.
3. Be sure to have very little to no puddle on drapery, especially if the fabric is stiff. A stiff header can also cause the rings to not move freely.
4. If using lightweight or sheer fabric, the fabric needs to be weighted enough to pull the rings into the correct passing position.
5. Passing rings are not recommended with draw rods.



Mio can be customised to suit virtually any window. For simple projection changes between the Minimums and Maximums listed below brackets are charged at double their standard costs. For all other customisations an additional custom fee is applied per drawing



Custom Projection

Specify the exact projection needed.



Custom Fixing Plate

Relevant where space is restricted or weight is a concern.



Uplift

Helps negotiate cornice and similar architectural features.



Angled Brackets

The solution for tight and awkward locations.

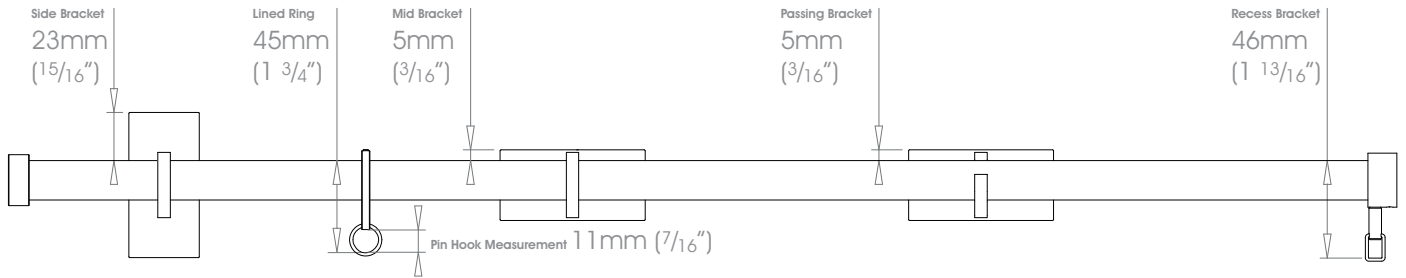
Minimum & Maximum Bracket Projections

Dimensions outside of these stated min/max projections may still be possible but will generate a design charge per drawing. See pricelist for details

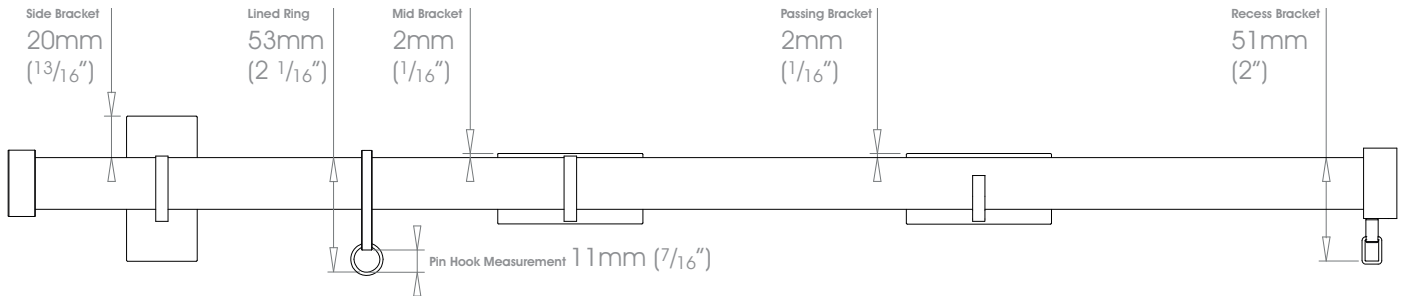
Diameter	Type	Standard Projection(s)	Minimum Projection	Maximum Projection
∅19mm (3/4")	Side	60mm (2 3/8") • 100mm (4")	39mm (1 9/16")	200mm (8")
∅19mm (3/4")	Mid	60mm (2 3/8") • 100mm (4")	39mm (1 9/16")	200mm (8")
∅19mm (3/4")	Passing	60mm (2 3/8") • 100mm (4")	53mm (2 1/16")	200mm (8")
∅19mm (3/4")	Ceiling	60mm (2 3/8") • 100mm (4")	39mm (1 9/16")	200mm (8")
∅19mm (3/4")	Ceiling Passing	60mm (2 3/8") • 100mm (4")	57mm (2 1/4")	200mm (8")
∅25mm (1")	Side	60mm (2 3/8") • 100mm (4") • 140mm (5 1/2")	39mm (1 9/16")	200mm (8")
∅25mm (1")	Mid	60mm (2 3/8") • 100mm (4") • 140mm (5 1/2") [Ⓞ]	39mm (1 9/16")	200mm (8")
∅25mm (1")	Passing	60mm (2 3/8") • 100mm (4") • 140mm (5 1/2") [Ⓞ]	57mm (2 1/4")	200mm (8")
∅25mm (1")	Ceiling	60mm (2 3/8") • 100mm (4")	39mm (1 9/16")	200mm (8")
∅25mm (1")	Ceiling Passing	60mm (2 3/8") • 100mm (4")	57mm (2 1/4")	200mm (8")
∅30mm (1 1/16")	Side	100mm (4")	39mm (1 9/16")	200mm (8")
∅30mm (1 1/16")	Mid	100mm (4")	39mm (1 9/16")	200mm (8")
∅30mm (1 1/16")	Passing	100mm (4")	54mm (2 1/8")	200mm (8")
∅30mm (1 1/16")	Ceiling	100mm (4")	39mm (1 9/16")	200mm (8")
∅30mm (1 1/16")	Ceiling Passing	100mm (4")	60mm (2 3/8")	200mm (8")
∅38mm (1 1/2")	Side	100mm (4")	55mm (2 3/16")	200mm (8")
∅38mm (1 1/2")	Mid	100mm (4")	55mm (2 3/16")	200mm (8")
∅38mm (1 1/2")	Passing	100mm (4")	89mm (2 1/2")	200mm (8")
∅38mm (1 1/2")	Ceiling	100mm (4")	55mm (2 3/16")	200mm (8")
∅38mm (1 1/2")	Ceiling Passing	100mm (4")	70mm (2 3/4")	200mm (8")
∅50mm (2")	Side	100mm (4")	64mm (2 1/2")	200mm (8")
∅50mm (2")	Mid	100mm (4")	64mm (2 1/2")	200mm (8")
∅50mm (2")	Passing	100mm (4")	92mm (3 5/8")	200mm (8")
∅50mm (2")	Ceiling	100mm (4")	64mm (2 1/2")	200mm (8")
∅50mm (2")	Ceiling Passing	100mm (4")	82mm (3 1/16")	200mm (8")

The information below shows the relationship between the pole, brackets and rings.
This will enable the correlation between pole heights and curtain drops to be easily calculated.

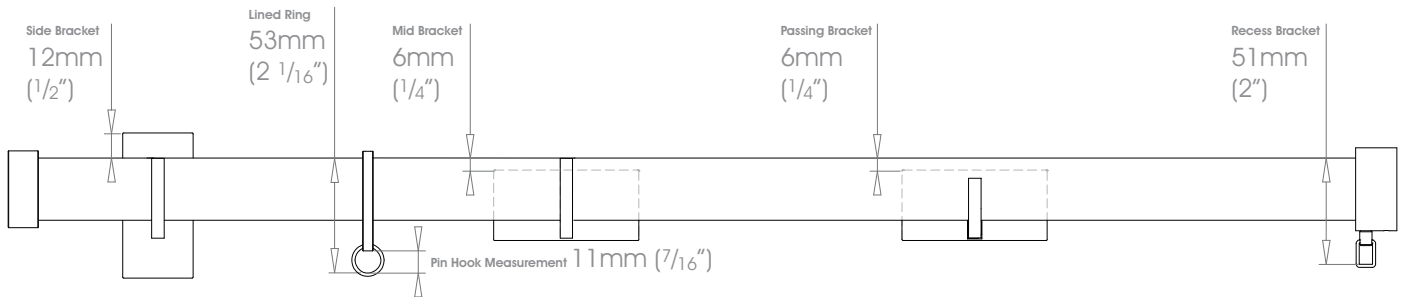
19mm (3/4") SINGLE BRACKETS



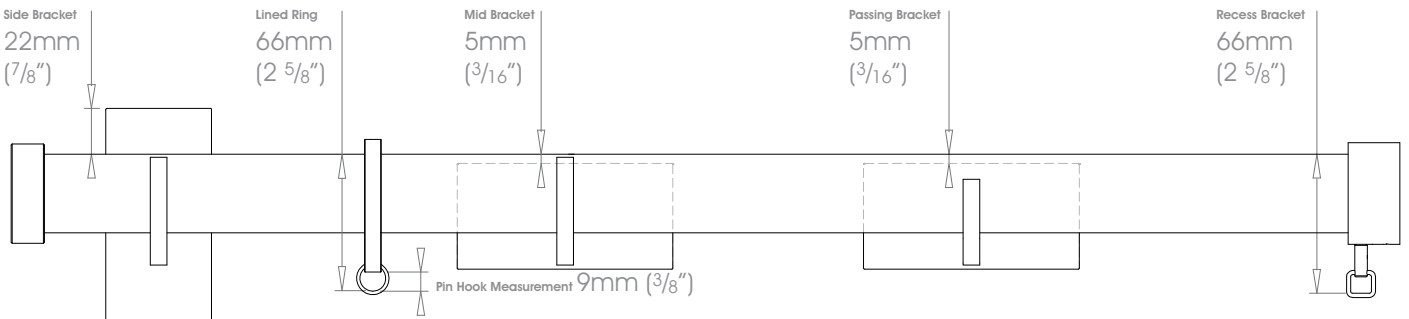
25mm (1") SINGLE BRACKETS



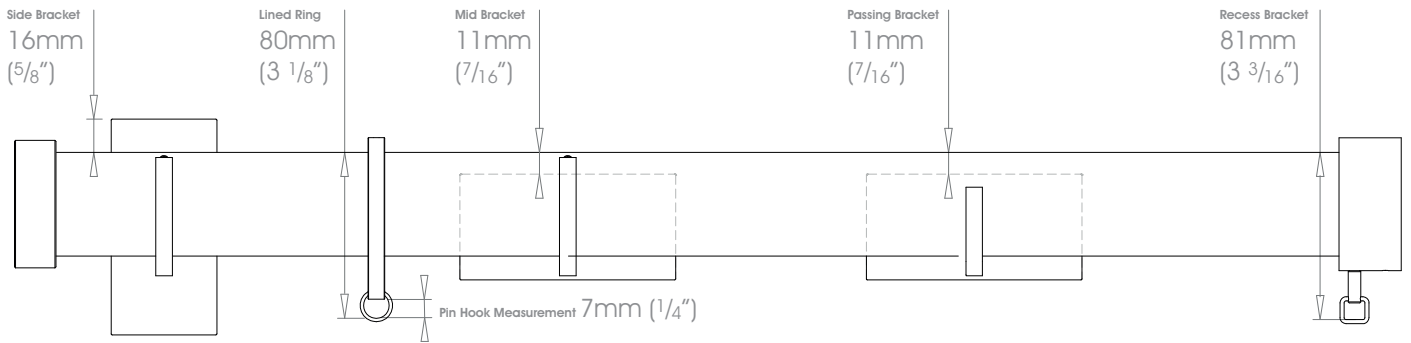
30mm (1 1/16") SINGLE BRACKETS



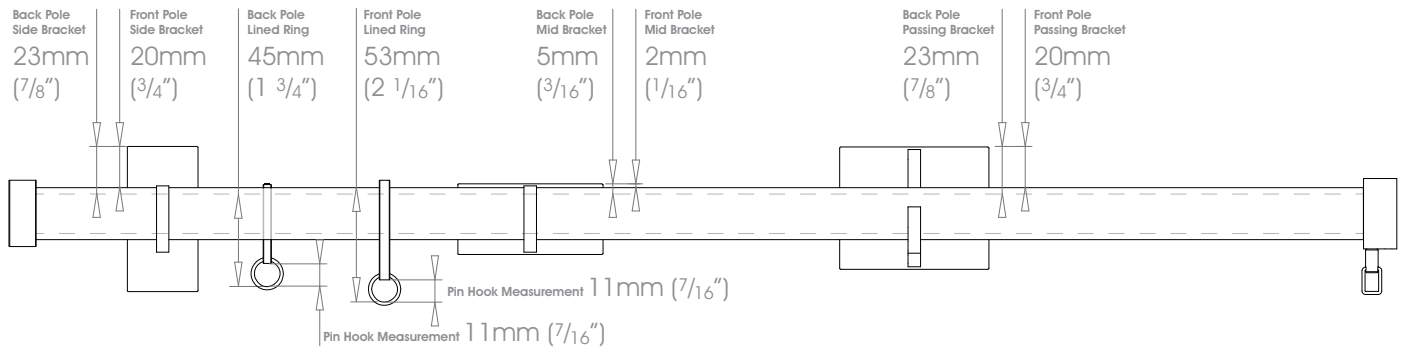
38mm (1 1/2") Single Brackets



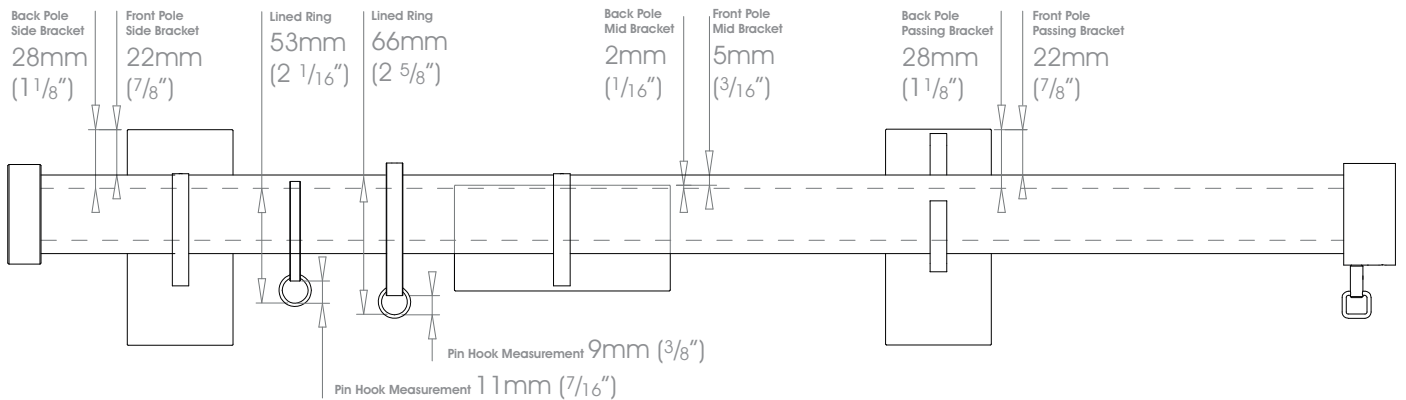
50mm (2") Single Brackets



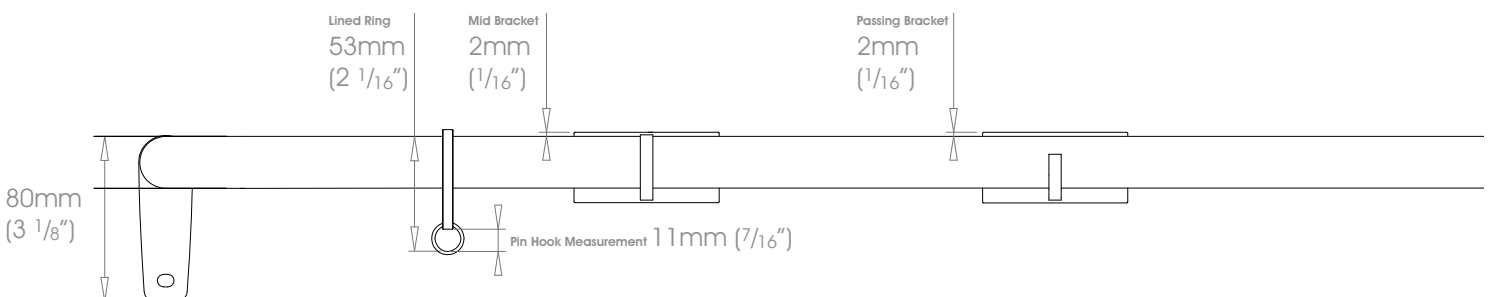
∅25mm (1") ∅19mm (3/4") Double Brackets



∅38mm (1 1/2") ∅25mm (1") Double Brackets



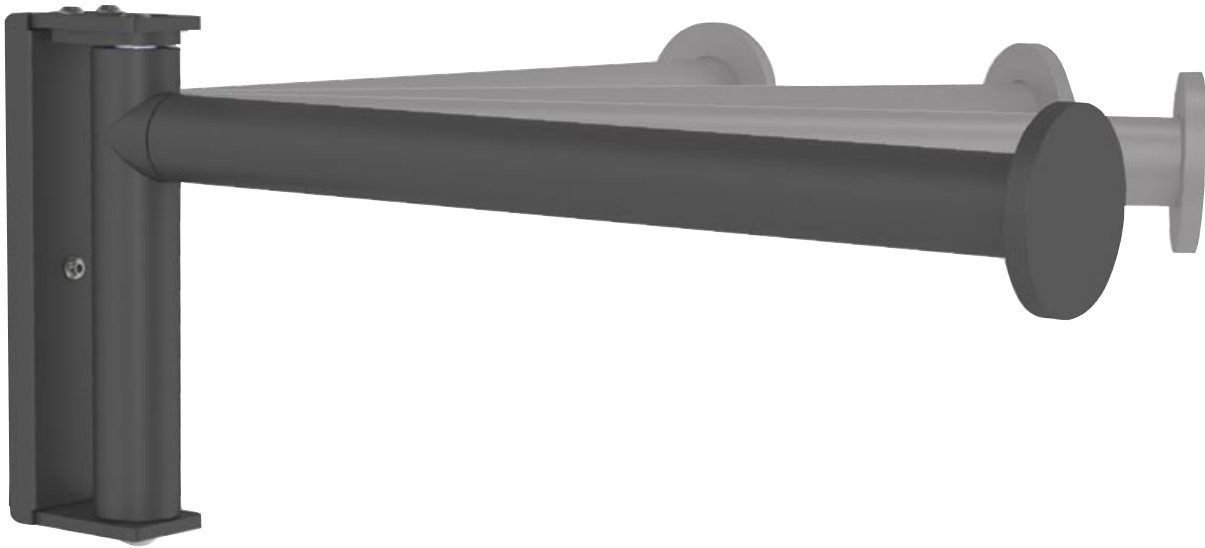
25mm (1") French Brackets



The 25mm (1") drapery arm, offered in all the available finish options, is designed to work with dormer windows, doorways or above beds.

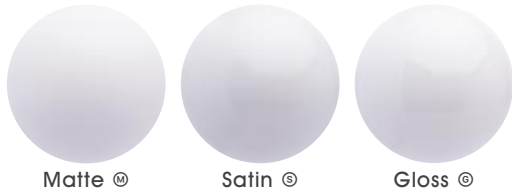
The drapery arm has a levelling adjustment and light Weight finials and fabric are suggested.

The maximum recommended arm length is 1000mm (3'4").

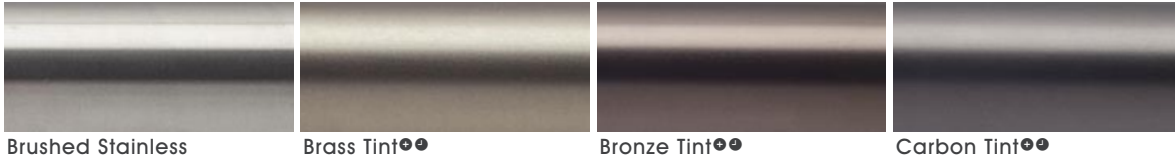


Metal poles and components may all be finished in this entire palette of subtle colour coats in matte, satin or gloss finishes and metallic coats in satin or gloss.

COAT OPTIONS



A brushed stainless steel base gives an edgy feel, with specially developed tints providing a change of mood to suit the needs of the project.



Brushed Stainless

Brass Tint

Bronze Tint

Carbon Tint

The beauty of the mild steel base shines through with these special translucent finishes.



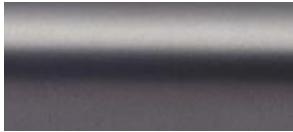
Polished

Natural Steel

Brass Toned

Matte Brass Toned

Oil Rubbed



Waxed

FLUID METAL™

Leading edge technology allows authentic metal coats to be applied to any substrate, which can then be worked and aged for a truly luxurious result.



Old Silver

Old Pewter

Old Brass

Light Bronze

Bronze Art

- ⦿ A finishing charge will apply
- ⦿ Longer lead-times will apply
- ⦿ Fluid Metal finishes are supplied unlacquered and will tarnish over time, a clear lacquer may be applied on request as a custom finish
- ⚡ Fluid Metal finishes are hand produced, finish may vary.

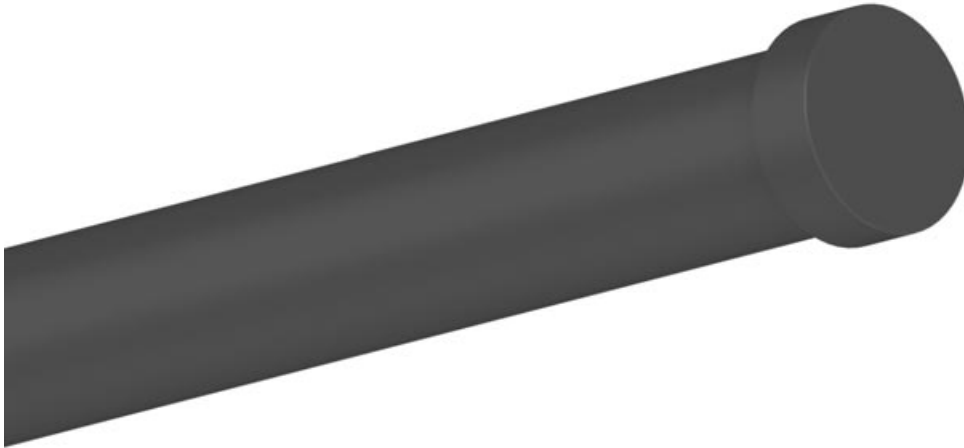
CUSTOM FINISHES

Can be specified from RAL K7 finish chart, subject to a per colour upcharge, which covers up to five poles. See pricelist for further details



COLOUR MATCHING

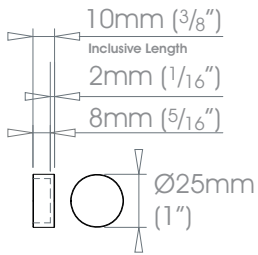
A colour matching service is offered, to match your scheme of fittings perfectly. See pricelist for further details



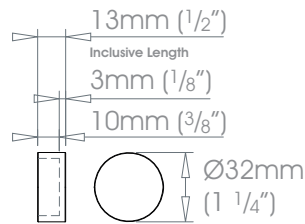
Finishes Alabaster • Dusk • Slate • Flint • Barley • Dove • Millstone • Clay • Cocoa • Cloud • Ceramic • Bone • Cream • Parchment • Mineral • Damson Moss • Smoke • Frame Grey • Raven **Coat Options** @ Matte @ Satin @ Gloss Platinum • Champagne • Gold • Cognac • Gunmetal • Antique Brass • Pewter • Bronzed **Coat Options** @ Satin @ Gloss Brushed Stainless • Natural Silver

Premium Finishes Can be specified at twice the cost of the standard finish
 Brushed Brass Tint • Brushed Bronze Tint • Brushed Carbon Tint • Polished Nickel • Polished Brass Plate • Old Silver • Old Pewter • Old Brass Light Bronze • Bronze Art

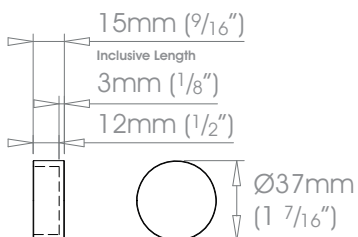
19mm (3/4")



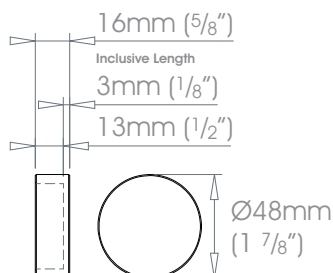
25mm (1")

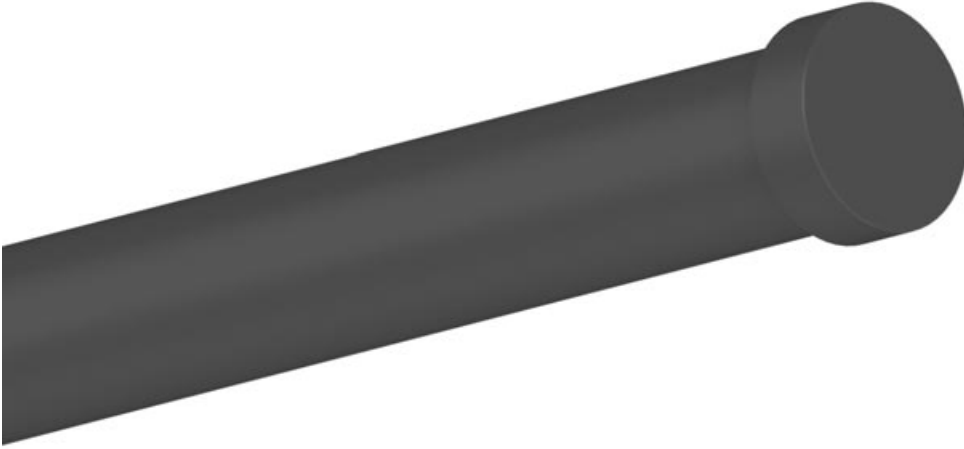


30mm (1 3/16")



38mm (1 1/2")

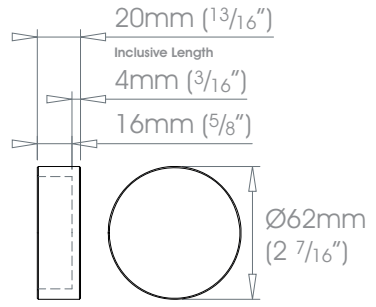


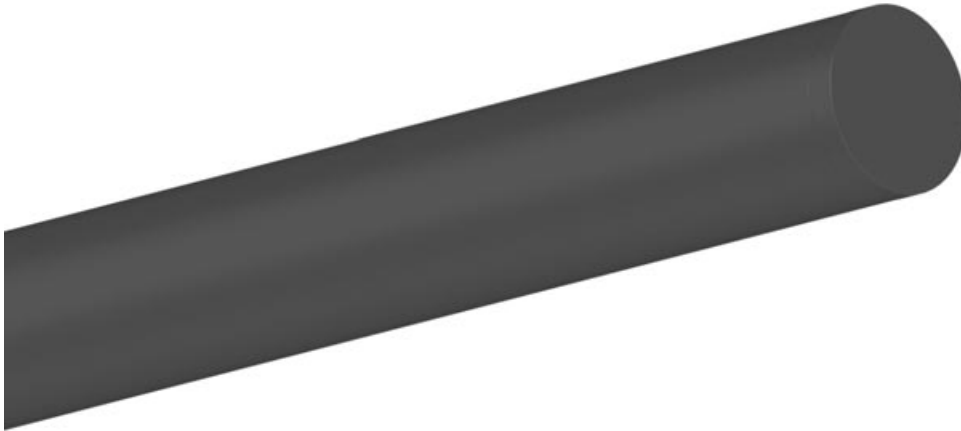


Finishes Alabaster • Dusk • Slate • Flint • Barley • Dove • Millstone • Clay • Cocoa • Cloud • Ceramic • Bone • Cream • Parchment • Mineral • Damson Moss • Smoke • Frame Grey • Raven **Coat Options** @Matte @Satin @Gloss Platinum • Champagne • Gold • Cognac • Gunmetal • Antique Brass • Pewter • Bronzed **Coat Options** @Satin @Gloss Brushed Stainless • Natural Silver

Premium Finishes Can be specified at twice the cost of the standard finish
 Brushed Brass Tint • Brushed Bronze Tint • Brushed Carbon Tint • Polished Nickel • Polished Brass Plate • Old Silver • Old Pewter • Old Brass
 Light Bronze • Bronze Art

50mm (2")

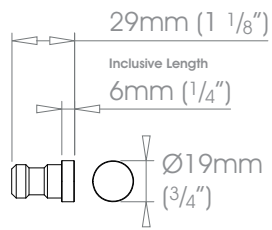




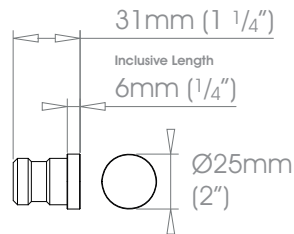
Finishes Alabaster • Dusk • Slate • Flint • Barley • Dove • Millstone • Clay • Cocoa • Cloud • Ceramic • Bone • Cream • Parchment • Mineral • Damson Moss • Smoke • Frame Grey • Raven **Coat Options** @ Matte @ Satin @ Gloss Platinum • Champagne • Gold • Cognac • Gunmetal • Antique Brass • Pewter • Bronzed **Coat Options** @ Satin @ Gloss Brushed Stainless • Natural Silver

Premium Finishes Can be specified at twice the cost of the standard finish
 Brushed Brass Tint • Brushed Bronze Tint • Brushed Carbon Tint • Polished Nickel • Polished Brass Plate • Old Silver • Old Pewter • Old Brass Light Bronze • Bronze Art

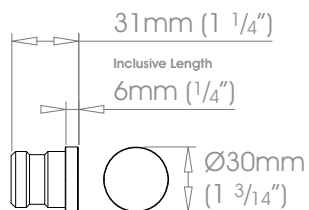
19mm (3/4")



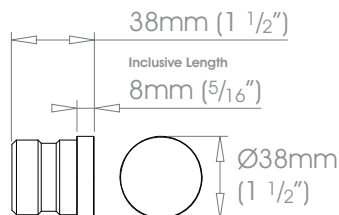
25mm (1")

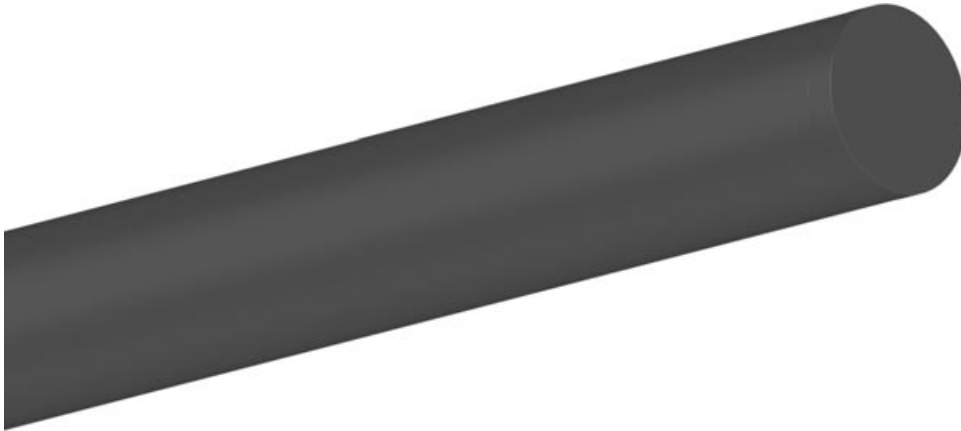


30mm (1 3/16")



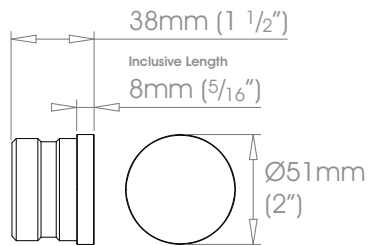
38mm (1 1/2")

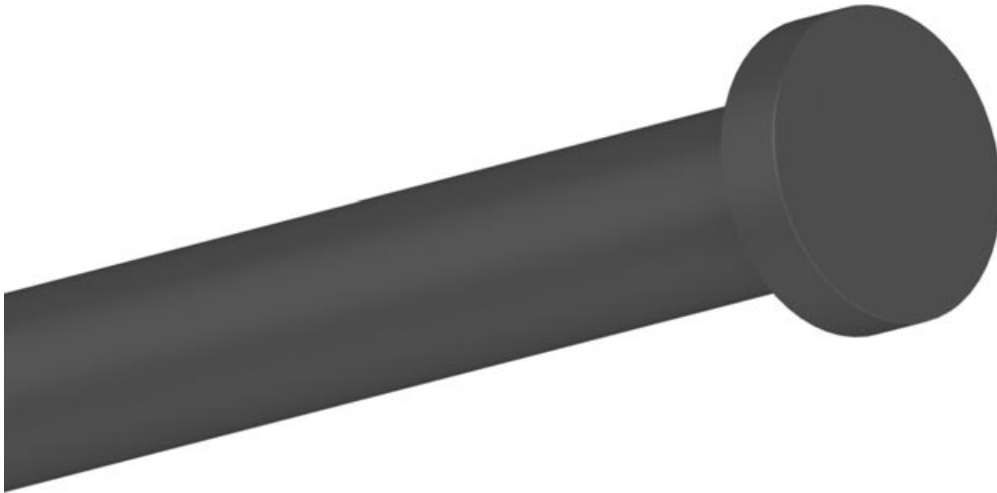




- Finishes** Alabaster • Dusk • Slate • Flint • Barley • Dove • Millstone • Clay • Cocoa • Cloud • Ceramic • Bone • Cream • Parchment • Mineral • Damson Moss • Smoke • Frame Grey • Raven **Coat Options** @Matte @Satin @Gloss Platinum • Champagne • Gold • Cognac • Gunmetal • Antique Brass • Pewter • Bronzed **Coat Options** @Satin @Gloss Brushed Stainless • Natural Silver
- Premium Finishes** Can be specified at twice the cost of the standard finish
 Brushed Brass Tint • Brushed Bronze Tint • Brushed Carbon Tint • Polished Nickel • Polished Brass Plate • Old Silver • Old Pewter • Old Brass
 Light Bronze • Bronze Art

50mm (2")

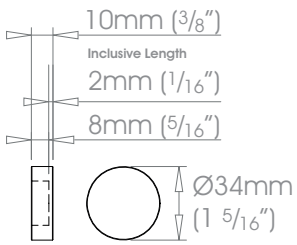




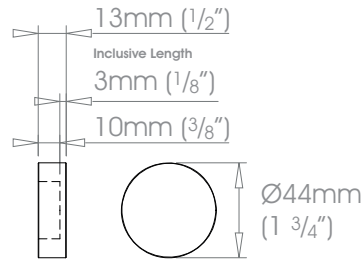
Finishes Alabaster • Dusk • Slate • Flint • Barley • Dove • Millstone • Clay • Cocoa • Cloud • Ceramic • Bone • Cream • Parchment • Mineral • Damson Moss • Smoke • Frame Grey • Raven **Coat Options** @ Matte @ Satin @ Gloss Platinum • Champagne • Gold • Cognac • Gunmetal • Antique Brass • Pewter • Bronzed **Coat Options** @ Satin @ Gloss Brushed Stainless • Natural Silver

Premium Finishes Can be specified at twice the cost of the standard finish
Brushed Brass Tint • Brushed Bronze Tint • Brushed Carbon Tint • Polished Nickel • Polished Brass Plate • Old Silver • Old Pewter • Old Brass Light Bronze • Bronze Art

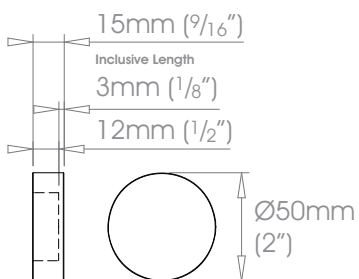
19mm (3/4")



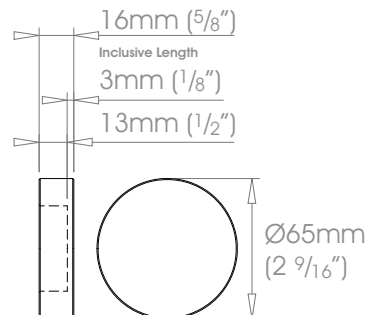
25mm (1")

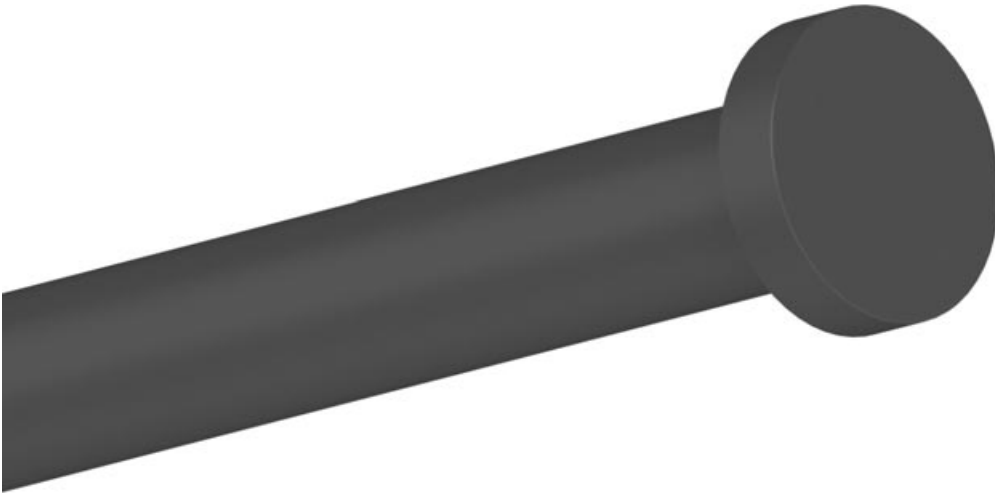


30mm (1 3/16")



38mm (1 1/2")

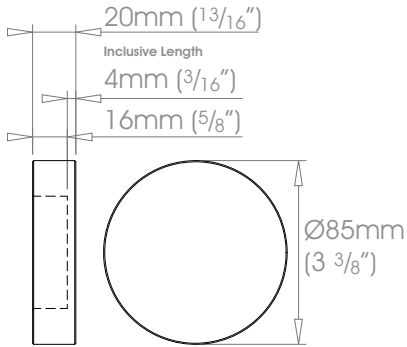


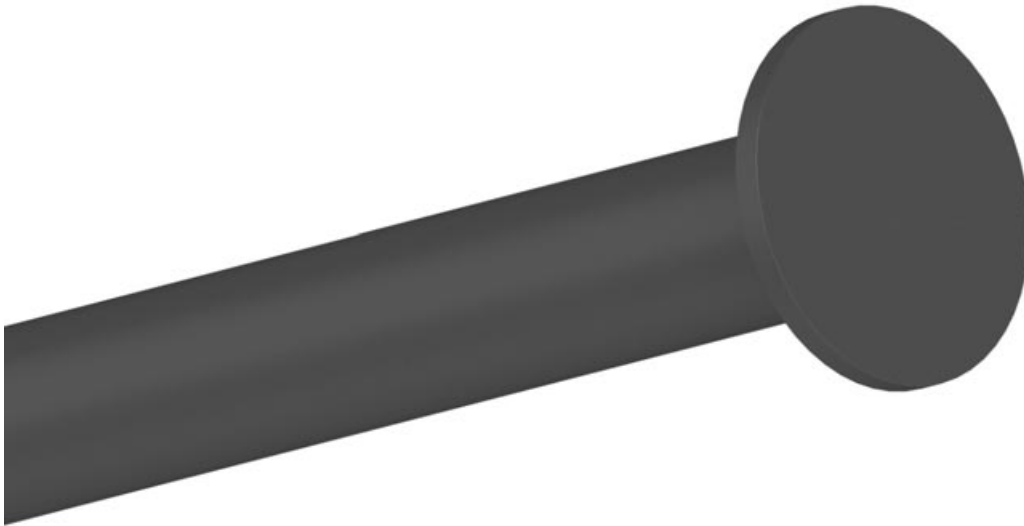


Finishes Alabaster • Dusk • Slate • Flint • Barley • Dove • Millstone • Clay • Cocoa • Cloud • Ceramic • Bone • Cream • Parchment • Mineral • Damson Moss • Smoke • Frame Grey • Raven **Coat Options** @ Matte @ Satin @ Gloss Platinum • Champagne • Gold • Cognac • Gunmetal • Antique Brass • Pewter • Bronzed **Coat Options** @ Satin @ Gloss Brushed Stainless • Natural Silver

Premium Finishes Can be specified at twice the cost of the standard finish
 Brushed Brass Tint • Brushed Bronze Tint • Brushed Carbon Tint • Polished Nickel • Polished Brass Plate • Old Silver • Old Pewter • Old Brass
 Light Bronze • Bronze Art

50mm (2")

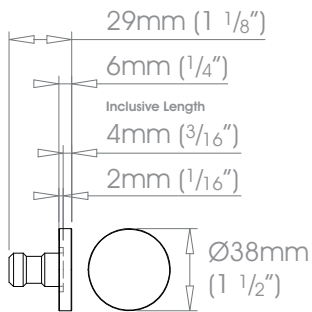




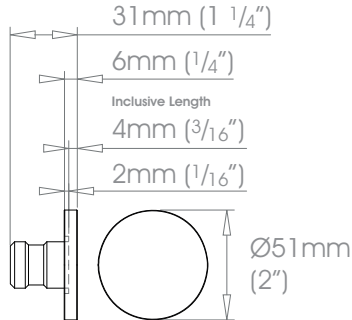
Finishes Alabaster • Dusk • Slate • Flint • Barley • Dove • Millstone • Clay • Cocoa • Cloud • Ceramic • Bone • Cream • Parchment • Mineral • Damson Moss • Smoke • Frame Grey • Raven **Coat Options** ☉ Matte ☉ Satin ☉ Gloss Platinum • Champagne • Gold • Cognac • Gunmetal • Antique Brass • Pewter • Bronzed **Coat Options** ☉ Satin ☉ Gloss Brushed Stainless • Natural Silver

Premium Finishes Can be specified at twice the cost of the standard finish
Brushed Brass Tint • Brushed Bronze Tint • Brushed Carbon Tint • Polished Nickel • Polished Brass Plate • Old Silver • Old Pewter • Old Brass Light Bronze • Bronze Art

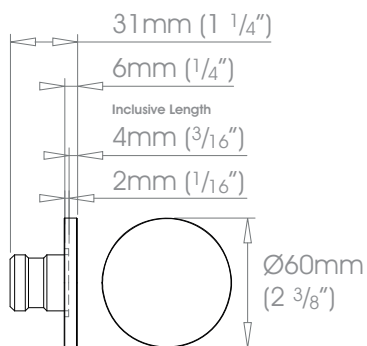
19mm (3/4")



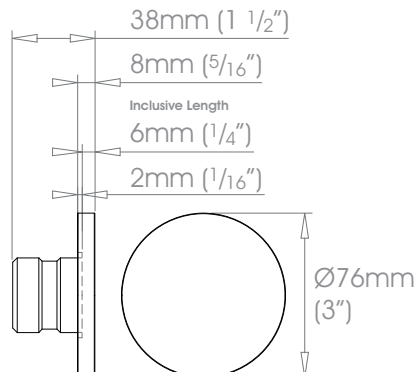
25mm (1")

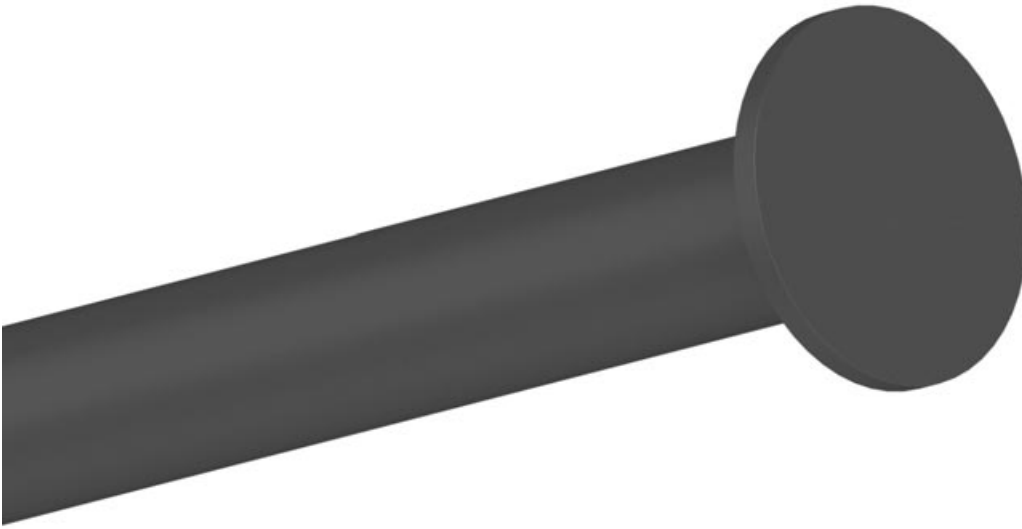


30mm (1 3/16")



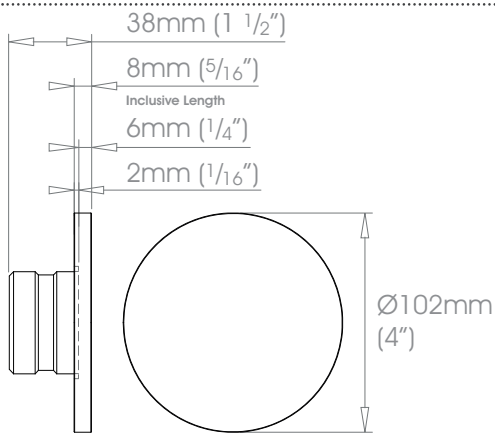
38mm (1 1/2")





- Finishes** Alabaster • Dusk • Slate • Flint • Barley • Dove • Millstone • Clay • Cocoa • Cloud • Ceramic • Bone • Cream • Parchment • Mineral • Damson Moss • Smoke • Frame Grey • Raven **Coat Options** @ Matte @ Satin @ Gloss Platinum • Champagne • Gold • Cognac • Gunmetal • Antique Brass • Pewter • Bronzed **Coat Options** @ Satin @ Gloss Brushed Stainless • Natural Silver
- Premium Finishes** Can be specified at twice the cost of the standard finish
 Brushed Brass Tint • Brushed Bronze Tint • Brushed Carbon Tint • Polished Nickel • Polished Brass Plate • Old Silver • Old Pewter • Old Brass
 Light Bronze • Bronze Art

50mm (2")

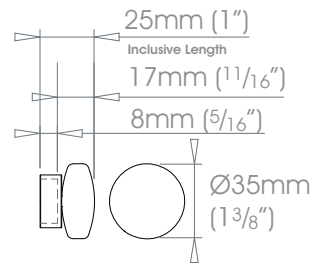




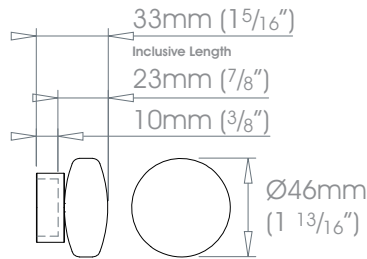
Finishes Alabaster • Dusk • Slate • Flint • Barley • Dove • Millstone • Clay • Cocoa • Cloud • Ceramic • Bone • Cream • Parchment • Mineral • Damson Moss • Smoke • Frame Grey • Raven **Coat Options** @ Matte @ Satin @ Gloss Platinum • Champagne • Gold • Cognac • Gunmetal • Antique Brass • Pewter • Bronzed **Coat Options** @ Satin @ Gloss Brushed Stainless • Natural Silver

Premium Finishes Can be specified at twice the cost of the standard finish
 Brushed Brass Tint • Brushed Bronze Tint • Brushed Carbon Tint • Polished Nickel • Polished Brass Plate • Old Silver • Old Pewter • Old Brass
 Light Bronze • Bronze Art

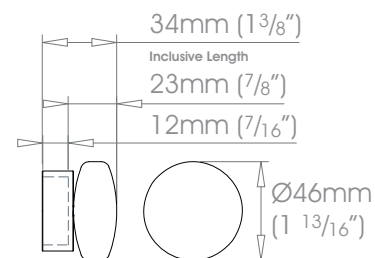
19mm (3/4")



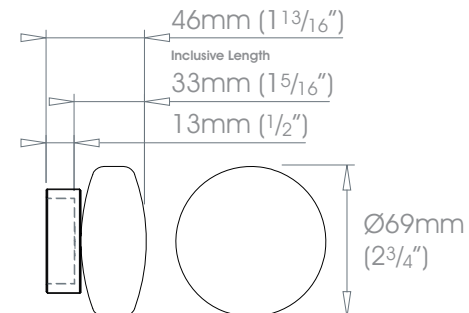
25mm (1")



30mm (1 3/16")



38mm (1 1/2")

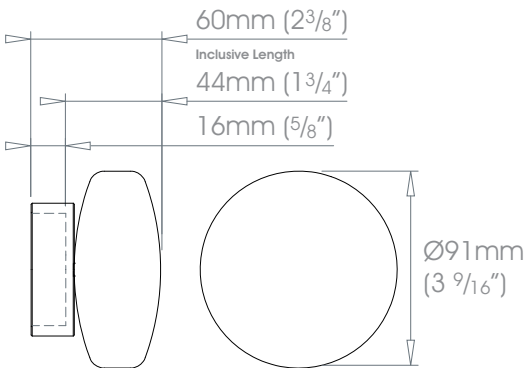




Finishes Alabaster • Dusk • Slate • Flint • Barley • Dove • Millstone • Clay • Cocoa • Cloud • Ceramic • Bone • Cream • Parchment • Mineral • Damson Moss • Smoke • Frame Grey • Raven **Coat Options** @ Matte @ Satin @ Gloss Platinum • Champagne • Gold • Cognac • Gunmetal • Antique Brass • Pewter • Bronzed **Coat Options** @ Satin @ Gloss Brushed Stainless • Natural Silver

Premium Finishes Can be specified at twice the cost of the standard finish
 Brushed Brass Tint • Brushed Bronze Tint • Brushed Carbon Tint • Polished Nickel • Polished Brass Plate • Old Silver • Old Pewter • Old Brass
 Light Bronze • Bronze Art

50mm (2")

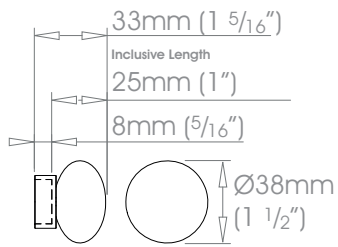




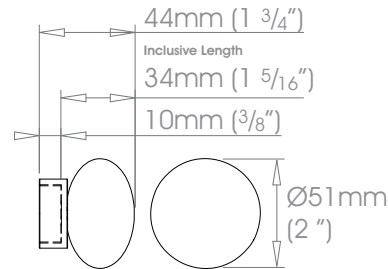
Finishes Alabaster • Dusk • Slate • Flint • Barley • Dove • Millstone • Clay • Cocoa • Cloud • Ceramic • Bone • Cream • Parchment • Mineral • Damson Moss • Smoke • Frame Grey • Raven **Coat Options** @ Matte @ Satin @ Gloss Platinum • Champagne • Gold • Cognac • Gunmetal • Antique Brass • Pewter • Bronzed **Coat Options** @ Satin @ Gloss Brushed Stainless • Natural Silver

Premium Finishes Can be specified at twice the cost of the standard finish
 Brushed Brass Tint • Brushed Bronze Tint • Brushed Carbon Tint • Polished Nickel • Polished Brass Plate • Old Silver • Old Pewter • Old Brass Light Bronze • Bronze Art

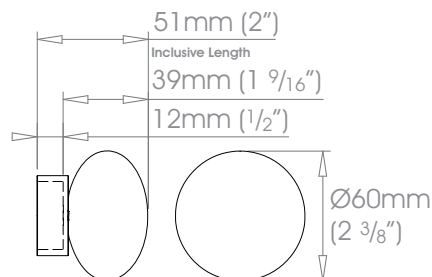
19mm (3/4")



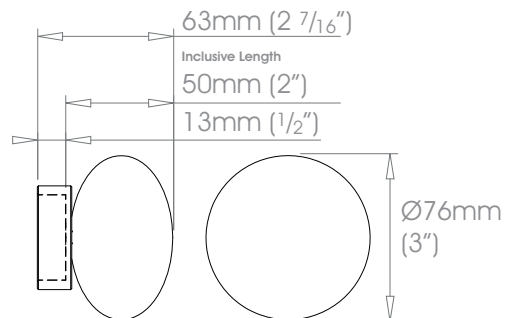
25mm (1")

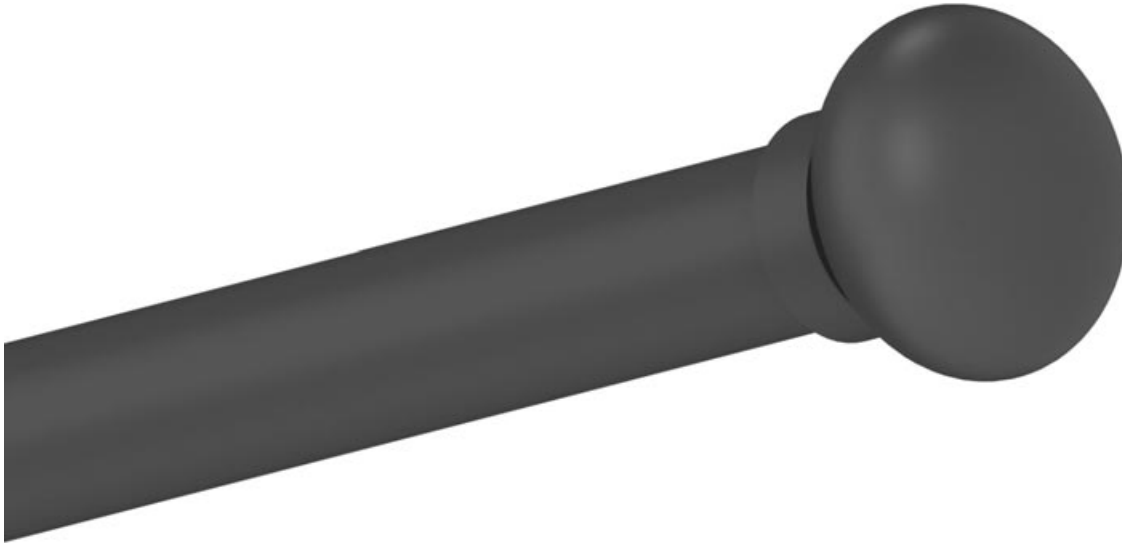


30mm (1 1/8")



38mm (1 1/2")

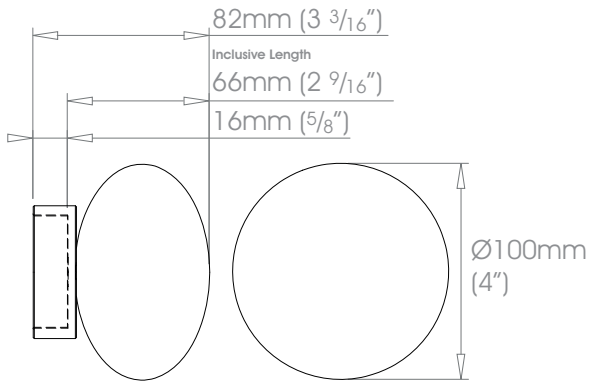




Finishes Alabaster • Dusk • Slate • Flint • Barley • Dove • Millstone • Clay • Cocoa • Cloud • Ceramic • Bone • Cream • Parchment • Mineral • Damson Moss • Smoke • Frame Grey • Raven **Coat Options** @ Matte @ Satin @ Gloss Platinum • Champagne • Gold • Cognac • Gunmetal • Antique Brass • Pewter • Bronzed **Coat Options** @ Satin @ Gloss Brushed Stainless • Natural Silver

Premium Finishes Can be specified at twice the cost of the standard finish
 Brushed Brass Tint • Brushed Bronze Tint • Brushed Carbon Tint • Polished Nickel • Polished Brass Plate • Old Silver • Old Pewter • Old Brass
 Light Bronze • Bronze Art

50mm (2")

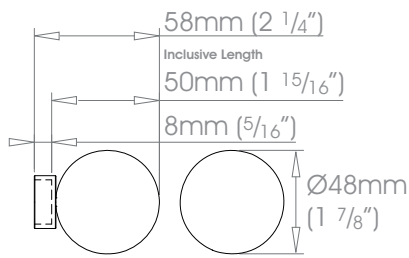




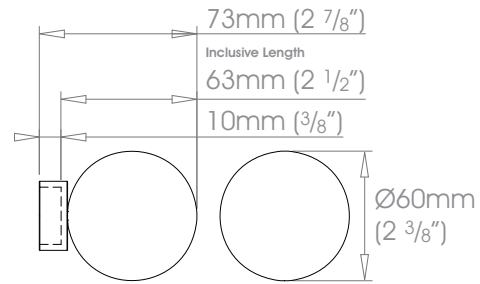
Finishes Alabaster • Dusk • Slate • Flint • Barley • Dove • Millstone • Clay • Cocoa • Cloud • Ceramic • Bone • Cream • Parchment • Mineral • Damson Moss • Smoke • Frame Grey • Raven **Coat Options** ☉ Matte ☉ Satin ☉ Gloss Platinum • Champagne • Gold • Cognac • Gunmetal • Antique Brass • Pewter • Bronzed **Coat Options** ☉ Satin ☉ Gloss Brushed Stainless • Natural Silver

Premium Finishes Can be specified at twice the cost of the standard finish
 Brushed Brass Tint • Brushed Bronze Tint • Brushed Carbon Tint • Polished Nickel • Polished Brass Plate • Old Silver • Old Pewter • Old Brass
 Light Bronze • Bronze Art

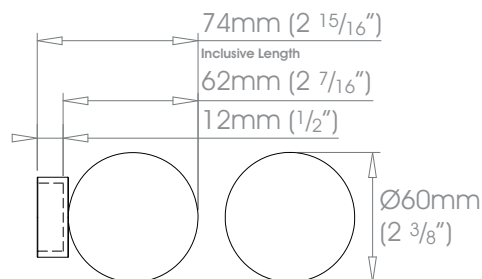
19mm (3/4")



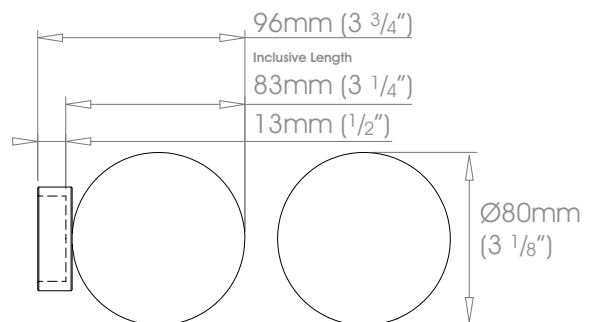
25mm (1")

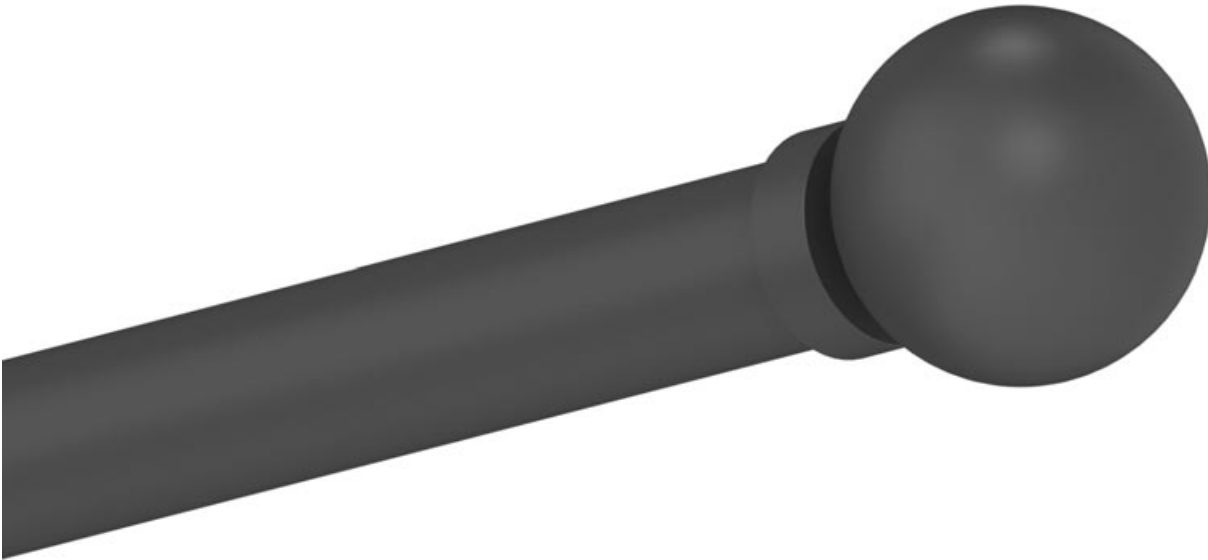


30mm (1 3/16")



38mm (1 1/2")

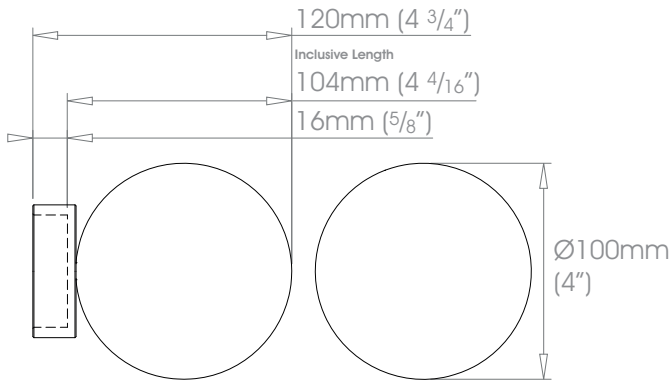


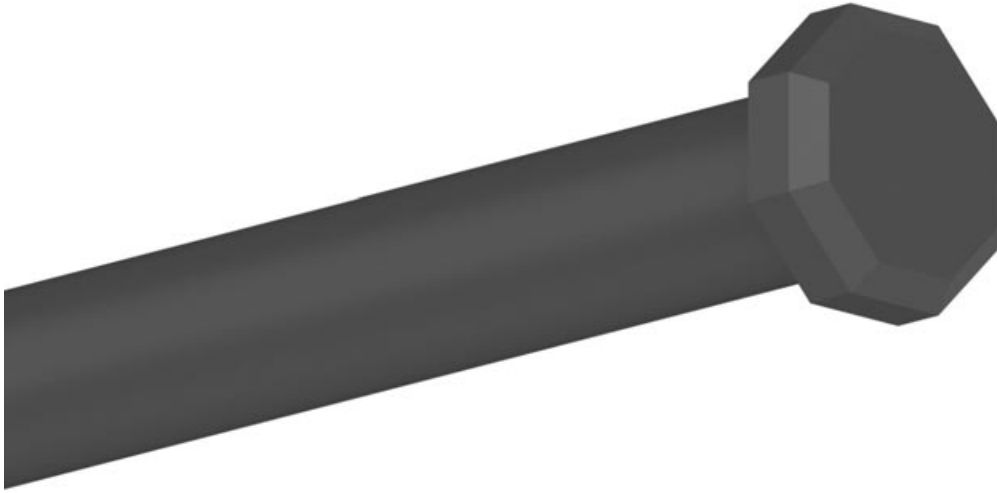


Finishes Alabaster • Dusk • Slate • Flint • Barley • Dove • Millstone • Clay • Cocoa • Cloud • Ceramic • Bone • Cream • Parchment • Mineral • Damson Moss • Smoke • Frame Grey • Raven **Coat Options** @ Matte @ Satin @ Gloss Platinum • Champagne • Gold • Cognac • Gunmetal • Antique Brass • Pewter • Bronzed **Coat Options** @ Satin @ Gloss Brushed Stainless • Natural Silver

Premium Finishes Can be specified at twice the cost of the standard finish
 Brushed Brass Tint • Brushed Bronze Tint • Brushed Carbon Tint • Polished Nickel • Polished Brass Plate • Old Silver • Old Pewter • Old Brass
 Light Bronze • Bronze Art

50mm (2")

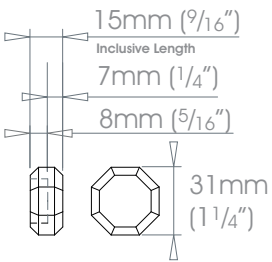




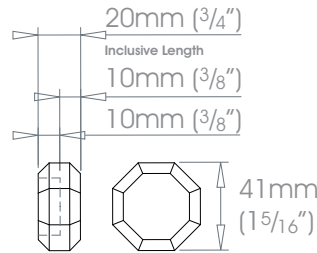
Finishes Alabaster • Dusk • Slate • Flint • Barley • Dove • Millstone • Clay • Cocoa • Cloud • Ceramic • Bone • Cream • Parchment • Mineral • Damson Moss • Smoke • Frame Grey • Raven **Coat Options** ☉ Matte ☉ Satin ☉ Gloss Platinum • Champagne • Gold • Cognac • Gunmetal • Antique Brass • Pewter • Bronzed **Coat Options** ☉ Satin ☉ Gloss Brushed Stainless • Natural Silver

Premium Finishes Can be specified at twice the cost of the standard finish
 Brushed Brass Tint • Brushed Bronze Tint • Brushed Carbon Tint • Polished Nickel • Polished Brass Plate • Old Silver • Old Pewter • Old Brass Light Bronze • Bronze Art

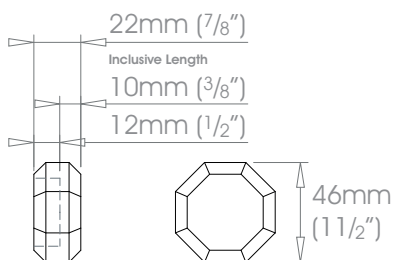
19mm (3/4")



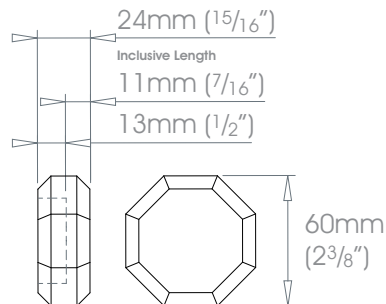
25mm (1")

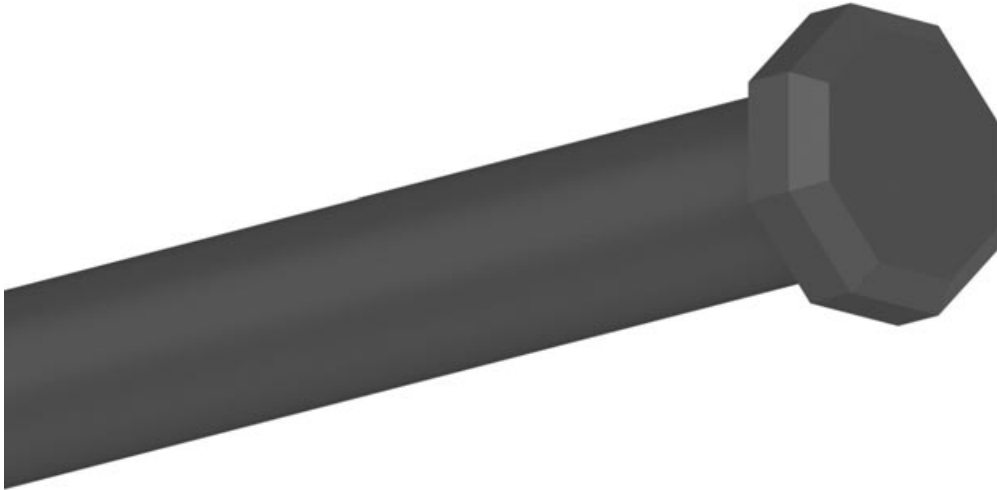


30mm (1 3/16")



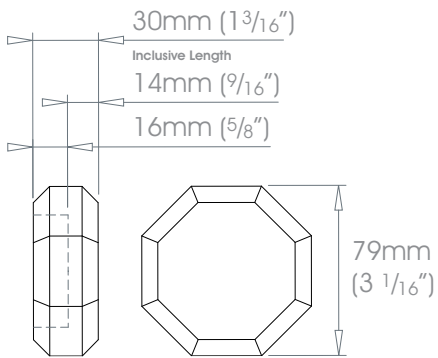
38mm (1 1/2")





- Finishes** Alabaster • Dusk • Slate • Flint • Barley • Dove • Millstone • Clay • Cocoa • Cloud • Ceramic • Bone • Cream • Parchment • Mineral • Damson Moss • Smoke • Frame Grey • Raven **Coat Options** @ Matte @ Satin @ Gloss Platinum • Champagne • Gold • Cognac • Gunmetal • Antique Brass • Pewter • Bronzed **Coat Options** @ Satin @ Gloss Brushed Stainless • Natural Silver
- Premium Finishes** Can be specified at twice the cost of the standard finish
 Brushed Brass Tint • Brushed Bronze Tint • Brushed Carbon Tint • Polished Nickel • Polished Brass Plate • Old Silver • Old Pewter • Old Brass
 Light Bronze • Bronze Art

50mm (2")

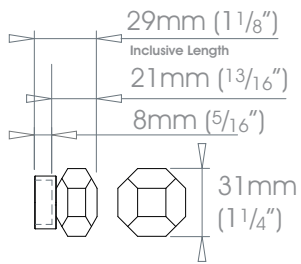




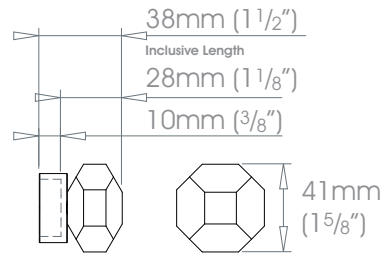
Finishes Alabaster • Dusk • Slate • Flint • Barley • Dove • Millstone • Clay • Cocoa • Cloud • Ceramic • Bone • Cream • Parchment • Mineral • Damson Moss • Smoke • Frame Grey • Raven **Coat Options** ☉ Matte ☉ Satin ☉ Gloss Platinum • Champagne • Gold • Cognac • Gunmetal • Antique Brass • Pewter • Bronzed **Coat Options** ☉ Satin ☉ Gloss Brushed Stainless • Natural Silver

Premium Finishes Can be specified at twice the cost of the standard finish
 Brushed Brass Tint • Brushed Bronze Tint • Brushed Carbon Tint • Polished Nickel • Polished Brass Plate • Old Silver • Old Pewter • Old Brass Light Bronze • Bronze Art

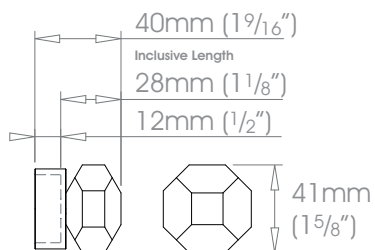
19mm (3/4")



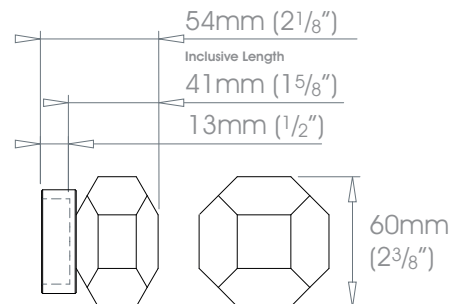
25mm (1")

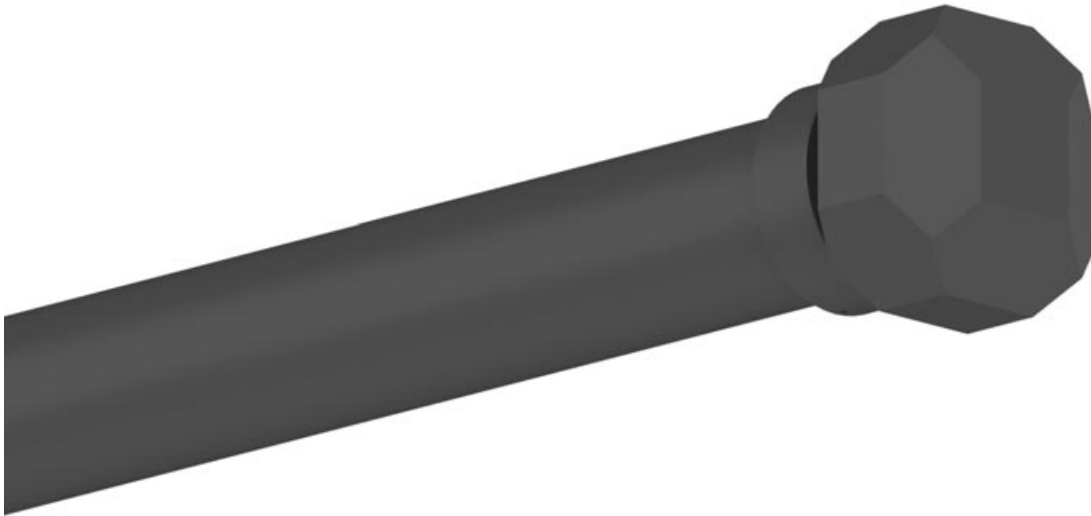


30mm (1 3/16")



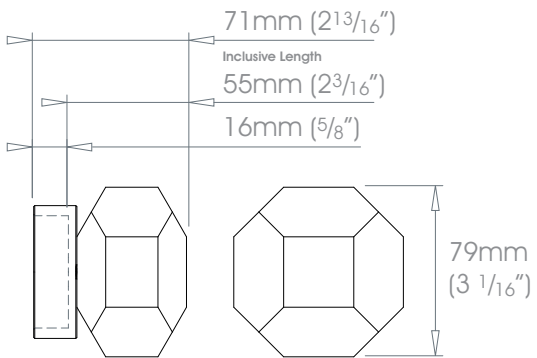
38mm (1 1/2")





- Finishes** Alabaster • Dusk • Slate • Flint • Barley • Dove • Millstone • Clay • Cocoa • Cloud • Ceramic • Bone • Cream • Parchment • Mineral • Damson Moss • Smoke • Frame Grey • Raven **Coat Options** @ Matte @ Satin @ Gloss Platinum • Champagne • Gold • Cognac • Gunmetal • Antique Brass • Pewter • Bronzed **Coat Options** @ Satin @ Gloss Brushed Stainless • Natural Silver
- Premium Finishes** Can be specified at twice the cost of the standard finish
 Brushed Brass Tint • Brushed Bronze Tint • Brushed Carbon Tint • Polished Nickel • Polished Brass Plate • Old Silver • Old Pewter • Old Brass
 Light Bronze • Bronze Art

50mm (2")

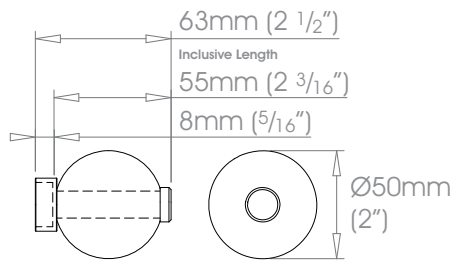




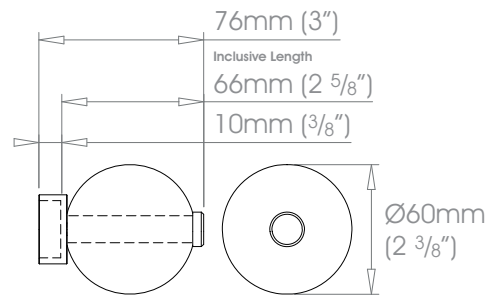
Crystal finials should not be positioned in direct sunlight, and are not suitable for use in conservatories

- Finishes** Alabaster • Dusk • Slate • Flint • Barley • Dove • Millstone • Clay • Cocoa • Cloud • Ceramic • Bone • Cream • Parchment • Mineral • Damson Moss • Smoke • Frame Grey • Raven **Coat Options** ☉ Matte ☉ Satin ☉ Gloss Platinum • Champagne • Gold • Cognac • Gunmetal • Antique Brass • Pewter • Bronzed **Coat Options** ☉ Satin ☉ Gloss Brushed Stainless • Natural Silver
- Premium Finishes** Can be specified at twice the cost of the standard finish
 Brushed Brass Tint • Brushed Bronze Tint • Brushed Carbon Tint • Polished Nickel • Polished Brass Plate • Old Silver • Old Pewter • Old Brass
 Light Bronze • Bronze Art

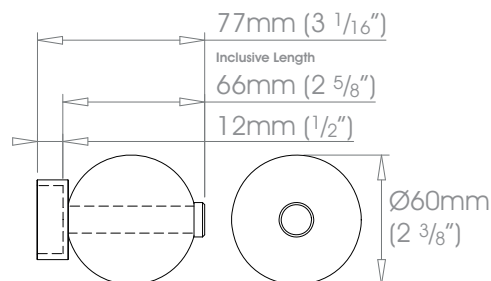
19mm (3/4")



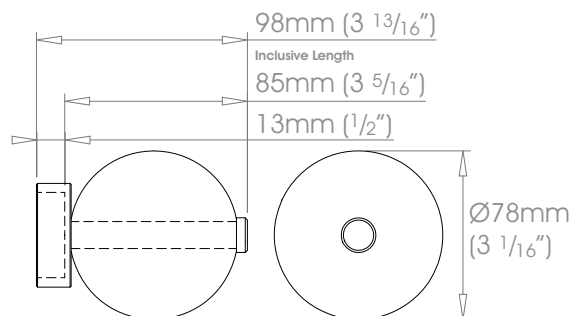
25mm (1")

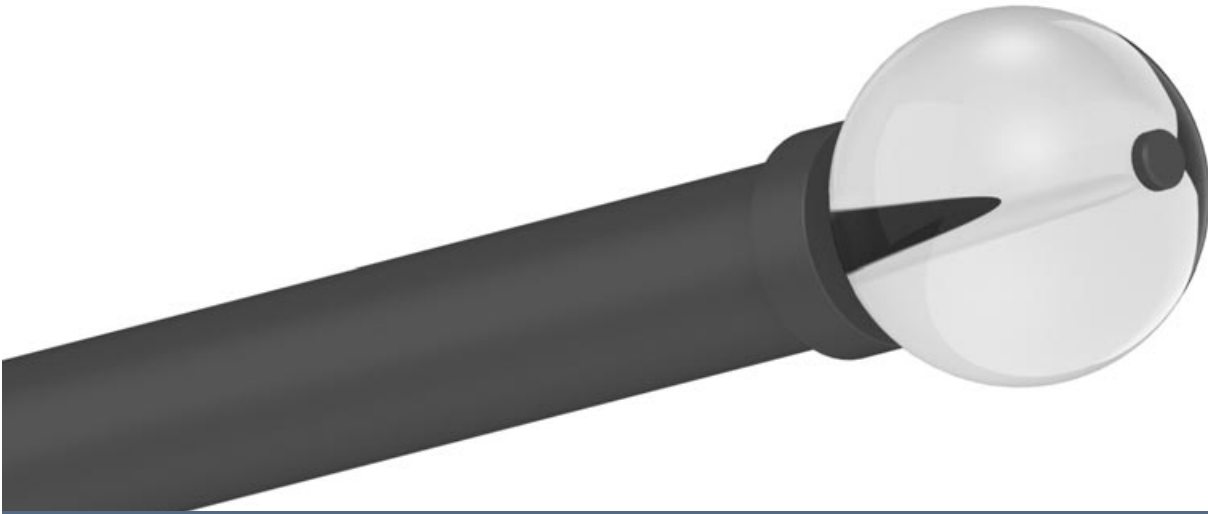


30mm (1 3/16")



38mm (1 1/2")

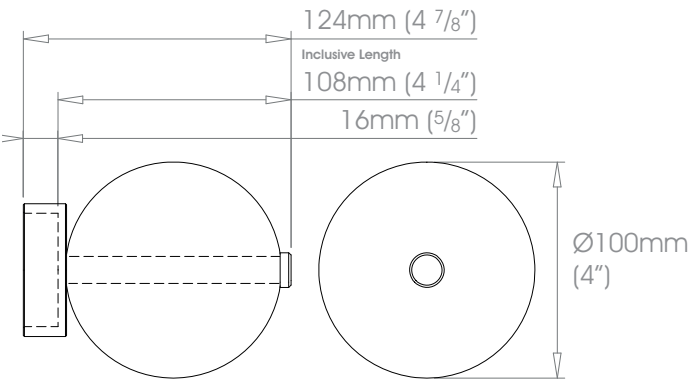




Crystal finials should not be positioned in direct sunlight, and are not suitable for use in conservatories

- Finishes** Alabaster • Dusk • Slate • Flint • Barley • Dove • Millstone • Clay • Cocoa • Cloud • Ceramic • Bone • Cream • Parchment • Mineral • Damson Moss • Smoke • Frame Grey • Raven **Coat Options** @ Matte @ Satin @ Gloss Platinum • Champagne • Gold • Cognac • Gunmetal • Antique Brass • Pewter • Bronzed **Coat Options** @ Satin @ Gloss Brushed Stainless • Natural Silver
- Premium Finishes** Can be specified at twice the cost of the standard finish
 Brushed Brass Tint • Brushed Bronze Tint • Brushed Carbon Tint • Polished Nickel • Polished Brass Plate • Old Silver • Old Pewter • Old Brass
 Light Bronze • Bronze Art

50mm (2")

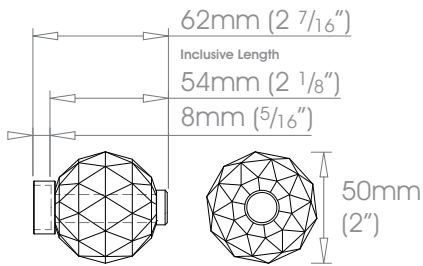




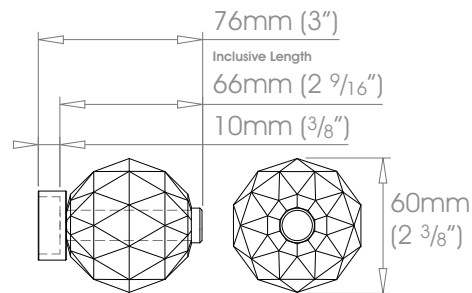
Crystal finials should not be positioned in direct sunlight, and are not suitable for use in conservatories

- Finishes** Alabaster • Dusk • Slate • Flint • Barley • Dove • Millstone • Clay • Cocoa • Cloud • Ceramic • Bone • Cream • Parchment • Mineral • Damson Moss • Smoke • Frame Grey • Raven **Coat Options** ☉ Matte ☉ Satin ☉ Gloss Platinum • Champagne • Gold • Cognac • Gunmetal • Antique Brass • Pewter • Bronzed **Coat Options** ☉ Satin ☉ Gloss Brushed Stainless • Natural Silver
- Premium Finishes** Can be specified at twice the cost of the standard finish
 Brushed Brass Tint • Brushed Bronze Tint • Brushed Carbon Tint • Polished Nickel • Polished Brass Plate • Old Silver • Old Pewter • Old Brass
 Light Bronze • Bronze Art

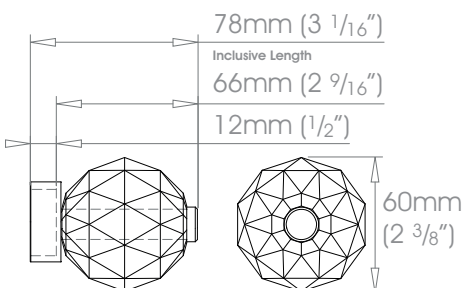
19mm (3/4")



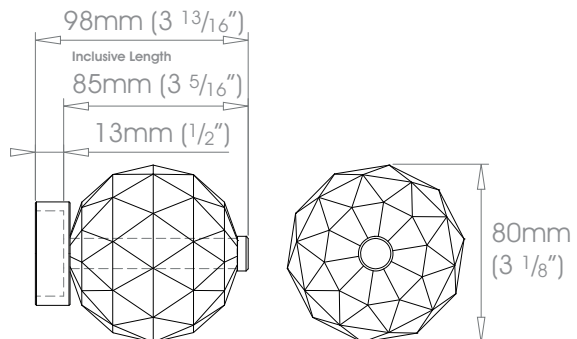
25mm (1")



30mm (1 1/16")



38mm (1 1/2")

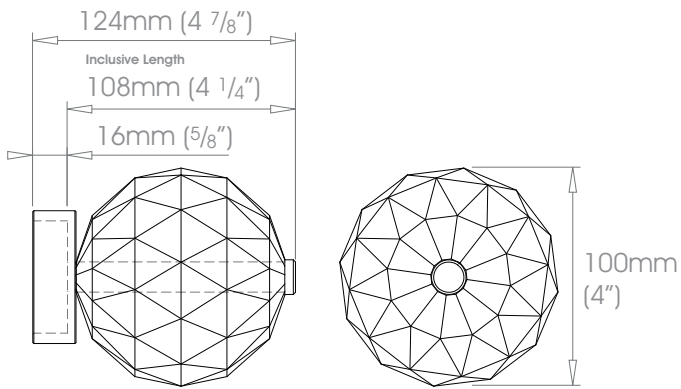




Crystal finials should not be positioned in direct sunlight, and are not suitable for use in conservatories

- Finishes** Alabaster • Dusk • Slate • Flint • Barley • Dove • Millstone • Clay • Cocoa • Cloud • Ceramic • Bone • Cream • Parchment • Mineral • Damson Moss • Smoke • Frame Grey • Raven **Coat Options** ☉ Matte ☉ Satin ☉ Gloss Platinum • Champagne • Gold • Cognac • Gunmetal • Antique Brass • Pewter • Bronzed **Coat Options** ☉ Satin ☉ Gloss Brushed Stainless • Natural Silver
- Premium Finishes** Can be specified at twice the cost of the standard finish
 Brushed Brass Tint • Brushed Bronze Tint • Brushed Carbon Tint • Polished Nickel • Polished Brass Plate • Old Silver • Old Pewter • Old Brass
 Light Bronze • Bronze Art

50mm (2")

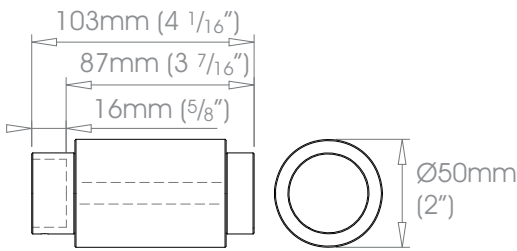




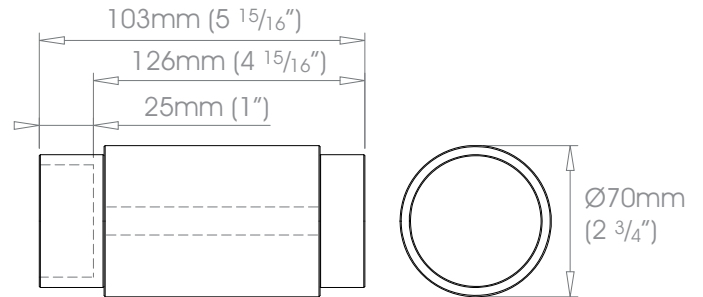
Crystal finials should not be positioned in direct sunlight, and are not suitable for use in conservatories

- Finishes** Alabaster • Dusk • Slate • Flint • Barley • Dove • Millstone • Clay • Cocoa • Cloud • Ceramic • Bone • Cream • Parchment • Mineral • Damson Moss • Smoke • Frame Grey • Raven **Coat Options** ☉ Matte ☉ Satin ☉ Gloss Platinum • Champagne • Gold • Cognac • Gunmetal • Antique Brass • Pewter • Bronzed **Coat Options** ☉ Satin ☉ Gloss Brushed Stainless • Natural Silver
- Premium Finishes** Can be specified at twice the cost of the standard finish
 Brushed Brass Tint • Brushed Bronze Tint • Brushed Carbon Tint • Polished Nickel • Polished Brass Plate • Old Silver • Old Pewter • Old Brass
 Light Bronze • Bronze Art

30mm (1 3/16")



50mm (2")



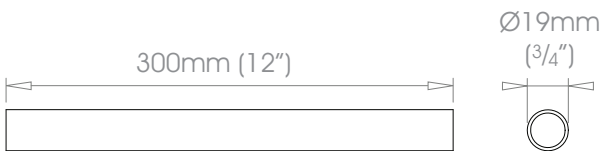


Finishes Alabaster • Dusk • Slate • Flint • Barley • Dove • Millstone • Clay • Cocoa • Cloud • Ceramic • Bone • Cream • Parchment • Mineral • Damson Moss • Smoke • Frame Grey • Raven **Coat Options** @ Matte @ Satin @ Gloss Platinum • Champagne • Gold • Cognac • Gunmetal • Antique Brass • Pewter • Bronzed **Coat Options** @ Satin @ Gloss Brushed Stainless • Natural Silver

Premium Finishes Can be specified at twice the cost of the standard finish
 Brushed Brass Tint • Brushed Bronze Tint • Brushed Carbon Tint • Polished Nickel • Polished Brass Plate • Old Silver • Old Pewter • Old Brass Light Bronze • Bronze Art

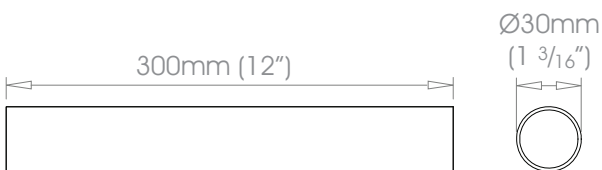
19mm (3/4")

25mm (1")



30mm (1 3/16")

38mm (1 1/2")

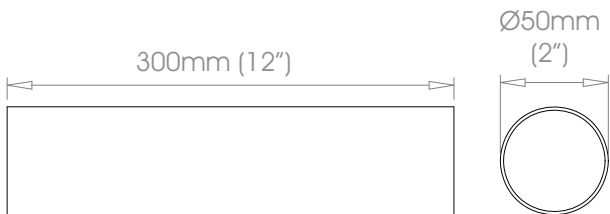




Finishes Alabaster • Dusk • Slate • Flint • Barley • Dove • Millstone • Clay • Cocoa • Cloud • Ceramic • Bone • Cream • Parchment • Mineral • Damson Moss • Smoke • Frame Grey • Raven **Coat Options** @ Matte @ Satin @ Gloss Platinum • Champagne • Gold • Cognac • Gunmetal • Antique Brass • Pewter • Bronzed **Coat Options** @ Satin @ Gloss Brushed Stainless • Natural Silver

Premium Finishes Can be specified at twice the cost of the standard finish
 Brushed Brass Tint • Brushed Bronze Tint • Brushed Carbon Tint • Polished Nickel • Polished Brass Plate • Old Silver • Old Pewter • Old Brass Light Bronze • Bronze Art

50mm (2")



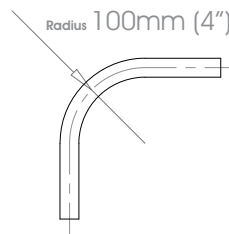
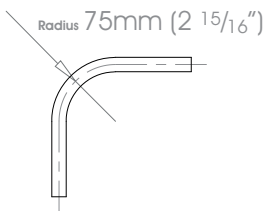


Finishes Alabaster • Dusk • Slate • Flint • Barley • Dove • Millstone • Clay • Cocoa • Cloud • Ceramic • Bone • Cream • Parchment • Mineral • Damson Moss • Smoke • Frame Grey • Raven **Coat Options** @Matte @Satin @Gloss Platinum • Champagne • Gold • Cognac • Gunmetal • Antique Brass • Pewter • Bronzed **Coat Options** @Satin @Gloss Brushed Stainless • Natural Silver

Premium Finishes Can be specified at twice the cost of the standard finish
 Brushed Brass Tint • Brushed Bronze Tint • Brushed Carbon Tint • Polished Nickel • Polished Brass Plate • Old Silver • Old Pewter • Old Brass
 Light Bronze • Bronze Art

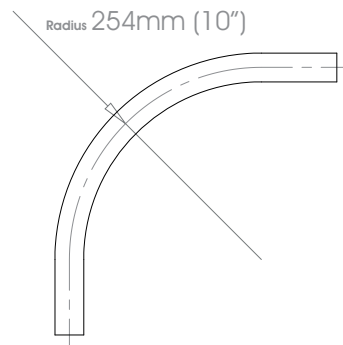
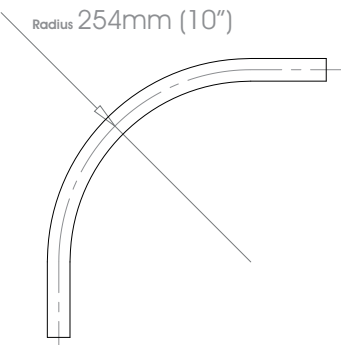
19mm (3/4")

25mm (1")



30mm (1 3/16")

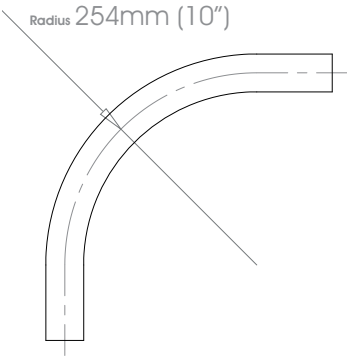
38mm (1 1/2")





- Finishes** Alabaster • Dusk • Slate • Flint • Barley • Dove • Millstone • Clay • Cocoa • Cloud • Ceramic • Bone • Cream • Parchment • Mineral • Damson Moss • Smoke • Frame Grey • Raven **Coat Options** @ Matte @ Satin @ Gloss Platinum • Champagne • Gold • Cognac • Gunmetal • Antique Brass • Pewter • Bronzed **Coat Options** @ Satin @ Gloss Brushed Stainless • Natural Silver
- Premium Finishes** Can be specified at twice the cost of the standard finish
 Brushed Brass Tint • Brushed Bronze Tint • Brushed Carbon Tint • Polished Nickel • Polished Brass Plate • Old Silver • Old Pewter • Old Brass
 Light Bronze • Bronze Art

50mm (2")



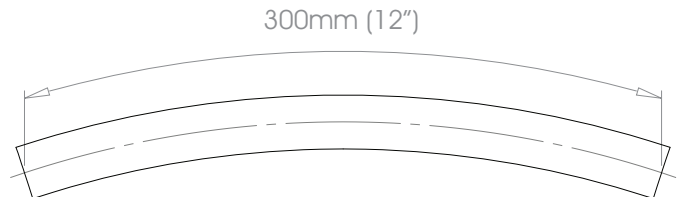
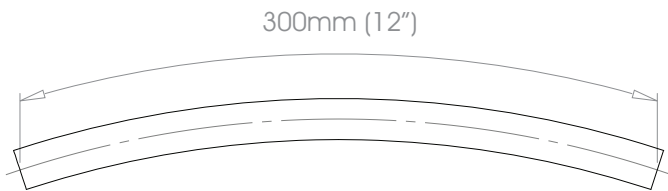


Finishes Alabaster • Dusk • Slate • Flint • Barley • Dove • Millstone • Clay • Cocoa • Cloud • Ceramic • Bone • Cream • Parchment • Mineral • Damson Moss • Smoke • Frame Grey • Raven **Coat Options** @Matte @Satin @Gloss Platinum • Champagne • Gold • Cognac • Gunmetal • Antique Brass • Pewter • Bronzed **Coat Options** @Satin @Gloss Brushed Stainless • Natural Silver

Premium Finishes Can be specified at twice the cost of the standard finish
 Brushed Brass Tint • Brushed Bronze Tint • Brushed Carbon Tint • Polished Nickel • Polished Brass Plate • Old Silver • Old Pewter • Old Brass
 Light Bronze • Bronze Art

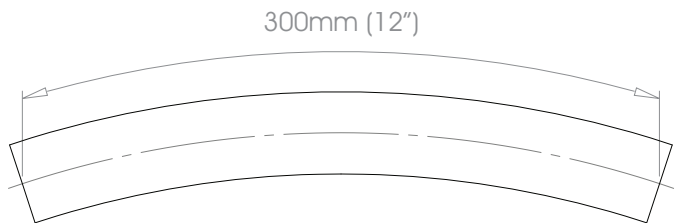
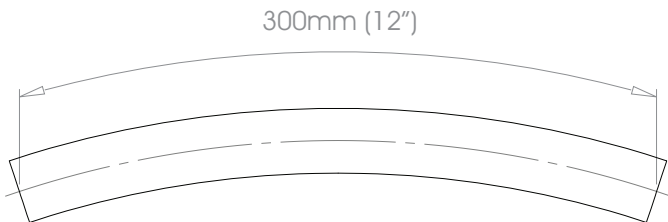
19mm (3/4")

25mm (1")



30mm (1 1/16")

38mm (1 1/2")



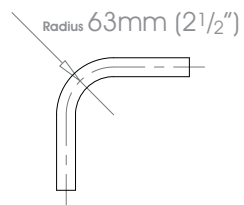


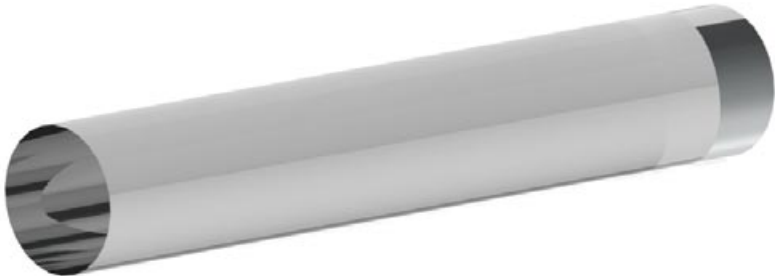
! French systems are not available in Stainless finishes


Finishes Alabaster • Dusk • Slate • Flint • Barley • Dove • Millstone • Clay • Cocoa • Cloud • Ceramic • Bone • Cream • Parchment • Mineral • Damson Moss • Smoke • Frame Grey • Raven **Coat Options** @Matte @Satin @Gloss Platinum • Champagne • Gold • Cognac • Gunmetal • Antique Brass • Pewter • Bronzed **Coat Options** @Satin @Gloss Natural Silver

Premium Finishes Can be specified at twice the cost of the standard finish
Polished Nickel • Polished Brass Plate • Old Silver • Old Pewter • Old Brass • Light Bronze • Bronze Art

25mm (1")

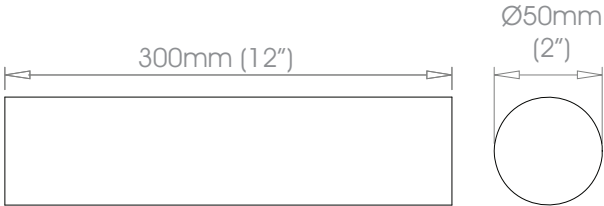





 Acrylic poles should not be positioned in direct sunlight, and are not suitable for use in conservatories. Please ensure the pole is correctly supported. See page 4 for the maximum bracket spacing.

Finishes Clear Acrylic

50mm (2")



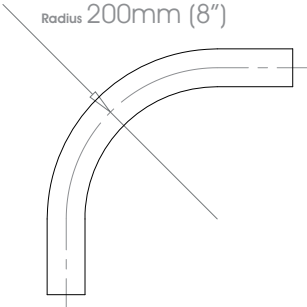


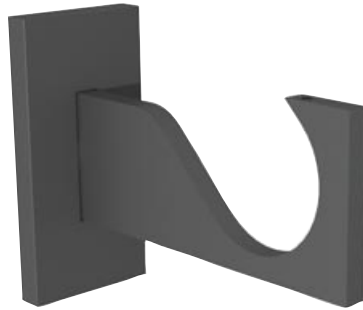
 Acrylic poles should not be positioned in direct sunlight, and are not suitable for use in conservatories. Please ensure the pole is correctly supported. See page 4 for the maximum bracket spacing.

Finishes Clear Acrylic

50mm (2")

.....



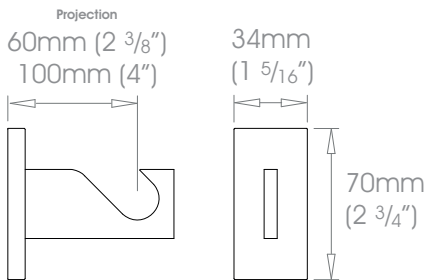


For custom brackets see page 10

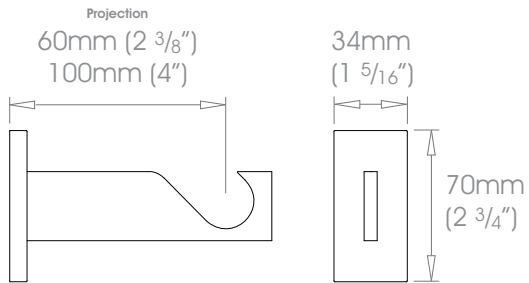
Finishes Alabaster • Dusk • Slate • Flint • Barley • Dove • Millstone • Clay • Cocoa • Cloud • Ceramic • Bone • Cream • Parchment • Mineral • Damson Moss • Smoke • Frame Grey • Raven **Coat Options** @ Matte @ Satin @ Gloss Platinum • Champagne • Gold • Cognac • Gunmetal • Antique Brass • Pewter • Bronzed **Coat Options** @ Satin @ Gloss Brushed Stainless • Natural Silver

Premium Finishes Can be specified at twice the cost of the standard finish
 Brushed Brass Tint • Brushed Bronze Tint • Brushed Carbon Tint • Polished Nickel • Polished Brass Plate • Old Silver • Old Pewter • Old Brass Light Bronze • Bronze Art

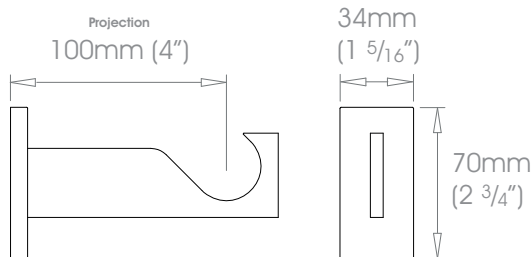
19mm (3/4")



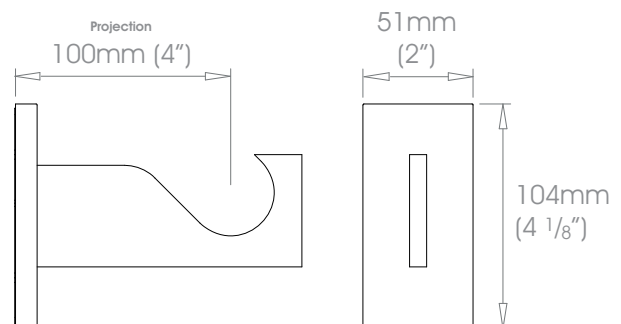
25mm (1")

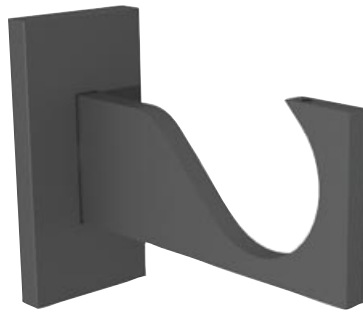


30mm (1 3/16")



38mm (1 1/2")

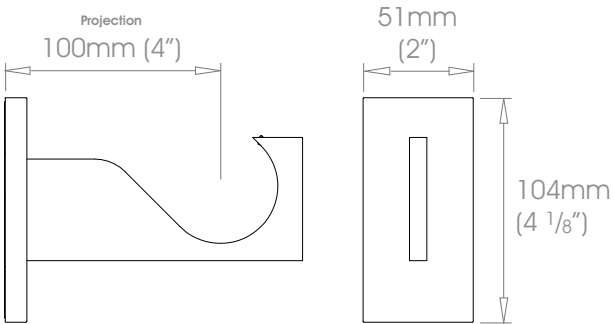


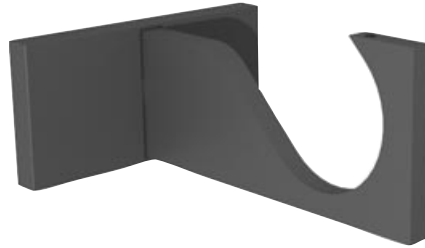


 For custom brackets see page 10

- Finishes** Alabaster • Dusk • Slate • Flint • Barley • Dove • Millstone • Clay • Cocoa • Cloud • Ceramic • Bone • Cream • Parchment • Mineral • Damson Moss • Smoke • Frame Grey • Raven **Coat Options** @ Matte @ Satin @ Gloss Platinum • Champagne • Gold • Cognac • Gunmetal • Antique Brass • Pewter • Bronzed **Coat Options** @ Satin @ Gloss Brushed Stainless • Natural Silver
- Premium Finishes** Can be specified at twice the cost of the standard finish
 Brushed Brass Tint • Brushed Bronze Tint • Brushed Carbon Tint • Polished Nickel • Polished Brass Plate • Old Silver • Old Pewter • Old Brass Light Bronze • Bronze Art

50mm (2")





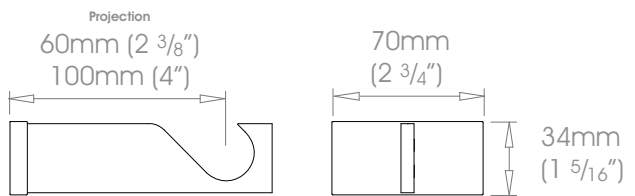
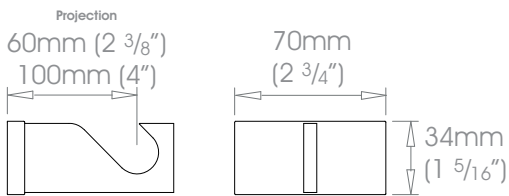
For custom brackets see page 10

Finishes Alabaster • Dusk • Slate • Flint • Barley • Dove • Millstone • Clay • Cocoa • Cloud • Ceramic • Bone • Cream • Parchment • Mineral • Damson Moss • Smoke • Frame Grey • Raven **Coat Options** @ Matte @ Satin @ Gloss Platinum • Champagne • Gold • Cognac • Gunmetal • Antique Brass • Pewter • Bronzed **Coat Options** @ Satin @ Gloss Brushed Stainless • Natural Silver

Premium Finishes Can be specified at twice the cost of the standard finish
 Brushed Brass Tint • Brushed Bronze Tint • Brushed Carbon Tint • Polished Nickel • Polished Brass Plate • Old Silver • Old Pewter • Old Brass Light Bronze • Bronze Art

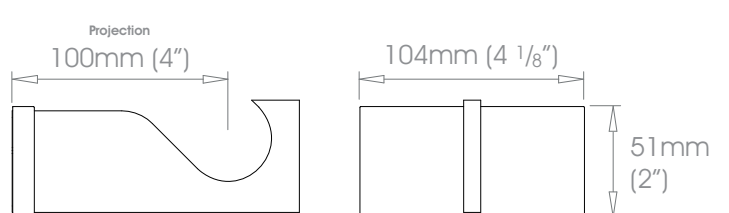
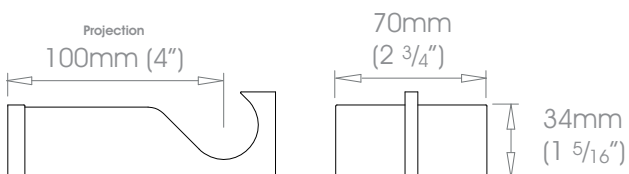
19mm (3/4")

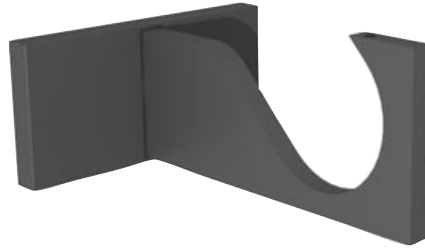
25mm (1")



30mm (1 3/16")

38mm (1 1/2")



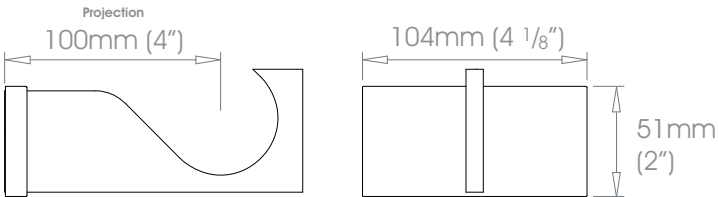


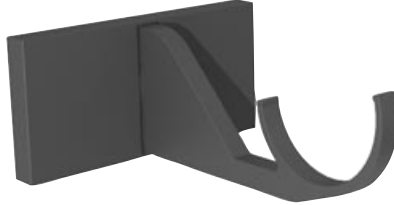
 For custom brackets see page 10

- Finishes** Alabaster • Dusk • Slate • Flint • Barley • Dove • Millstone • Clay • Cocoa • Cloud • Ceramic • Bone • Cream • Parchment • Mineral • Damson Moss • Smoke • Frame Grey • Raven **Coat Options** @ Matte @ Satin @ Gloss Platinum • Champagne • Gold • Cognac • Gunmetal • Antique Brass • Pewter • Bronzed **Coat Options** @ Satin @ Gloss Brushed Stainless • Natural Silver
- Premium Finishes** Can be specified at twice the cost of the standard finish
 Brushed Brass Tint • Brushed Bronze Tint • Brushed Carbon Tint • Polished Nickel • Polished Brass Plate • Old Silver • Old Pewter • Old Brass Light Bronze • Bronze Art

50mm (2")

.....





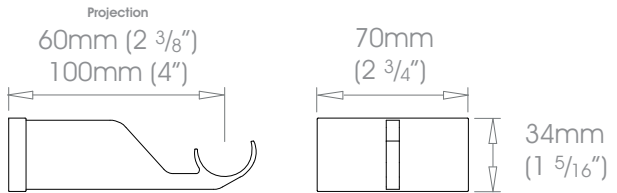
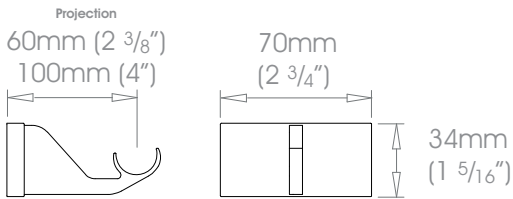
 For custom brackets see page 10

Finishes Alabaster • Dusk • Slate • Flint • Barley • Dove • Millstone • Clay • Cocoa • Cloud • Ceramic • Bone • Cream • Parchment • Mineral • Damson Moss • Smoke • Frame Grey • Raven **Coat Options** @ Matte @ Satin @ Gloss Platinum • Champagne • Gold • Cognac • Gunmetal • Antique Brass • Pewter • Bronzed **Coat Options** @ Satin @ Gloss Brushed Stainless • Natural Silver

Premium Finishes Can be specified at twice the cost of the standard finish
 Brushed Brass Tint • Brushed Bronze Tint • Brushed Carbon Tint • Polished Nickel • Polished Brass Plate • Old Silver • Old Pewter • Old Brass
 Light Bronze • Bronze Art

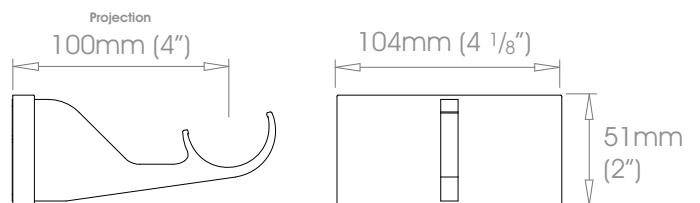
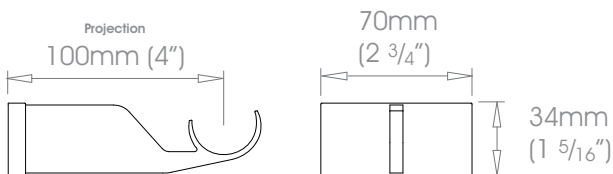
19mm (3/4")

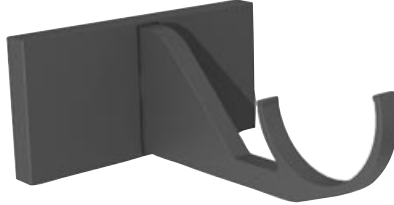
25mm (1")



30mm (1 3/16")

38mm (1 1/2")



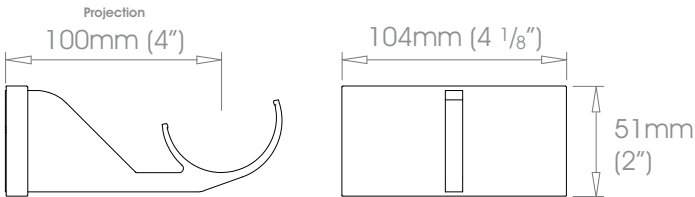


 For custom brackets see page 10

- Finishes** Alabaster • Dusk • Slate • Flint • Barley • Dove • Millstone • Clay • Cocoa • Cloud • Ceramic • Bone • Cream • Parchment • Mineral • Damson Moss • Smoke • Frame Grey • Raven **Coat Options** @ Matte @ Satin @ Gloss Platinum • Champagne • Gold • Cognac • Gunmetal • Antique Brass • Pewter • Bronzed **Coat Options** @ Satin @ Gloss Brushed Stainless • Natural Silver
- Premium Finishes** Can be specified at twice the cost of the standard finish
 Brushed Brass Tint • Brushed Bronze Tint • Brushed Carbon Tint • Polished Nickel • Polished Brass Plate • Old Silver • Old Pewter • Old Brass
 Light Bronze • Bronze Art

50mm (2")

.....



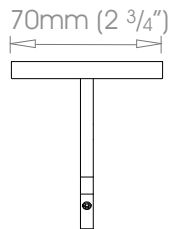
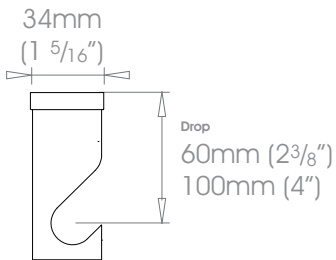


For custom brackets see page 10

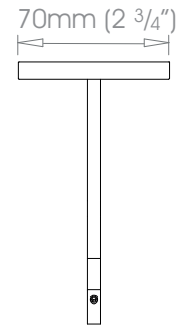
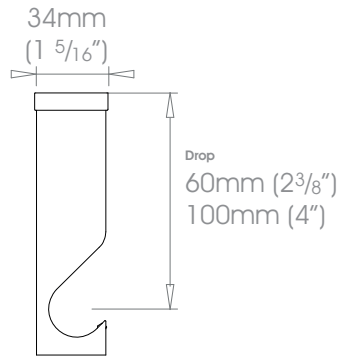
Finishes Alabaster • Dusk • Slate • Flint • Barley • Dove • Millstone • Clay • Cocoa • Cloud • Ceramic • Bone • Cream • Parchment • Mineral • Damson Moss • Smoke • Frame Grey • Raven **Coat Options** @ Matte @ Satin @ Gloss Platinum • Champagne • Gold • Cognac • Gunmetal • Antique Brass • Pewter • Bronzed **Coat Options** @ Satin @ Gloss Brushed Stainless • Natural Silver

Premium Finishes Can be specified at twice the cost of the standard finish
 Brushed Brass Tint • Brushed Bronze Tint • Brushed Carbon Tint • Polished Nickel • Polished Brass Plate • Old Silver • Old Pewter • Old Brass Light Bronze • Bronze Art

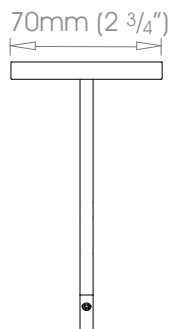
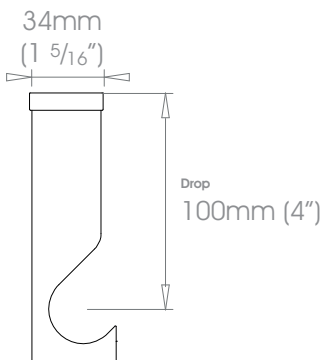
19mm (3/4")



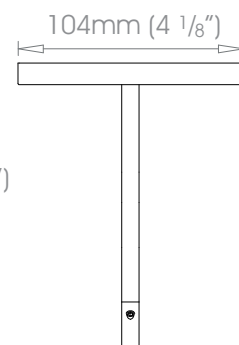
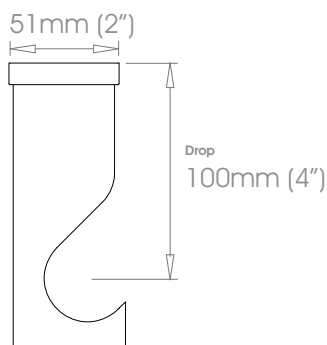
25mm (1")



30mm (1 1/8")



38mm (1 1/2")

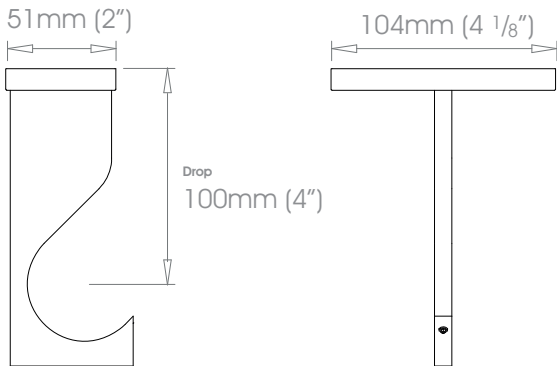


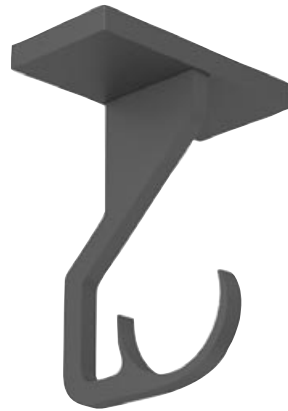


 For custom brackets see page 10

- Finishes** Alabaster • Dusk • Slate • Flint • Barley • Dove • Millstone • Clay • Cocoa • Cloud • Ceramic • Bone • Cream • Parchment • Mineral • Damson Moss • Smoke • Frame Grey • Raven **Coat Options** @ Matte @ Satin @ Gloss Platinum • Champagne • Gold • Cognac • Gunmetal • Antique Brass • Pewter • Bronzed **Coat Options** @ Satin @ Gloss Brushed Stainless • Natural Silver
- Premium Finishes** Can be specified at twice the cost of the standard finish
 Brushed Brass Tint • Brushed Bronze Tint • Brushed Carbon Tint • Polished Nickel • Polished Brass Plate • Old Silver • Old Pewter • Old Brass Light Bronze • Bronze Art

50mm (2")





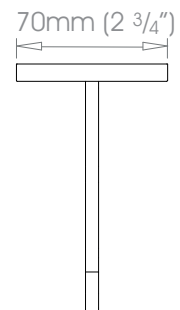
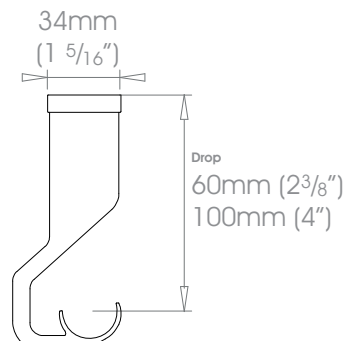
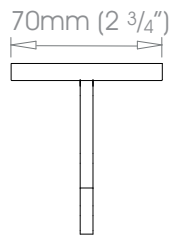
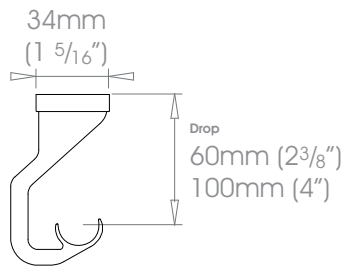
 For custom brackets see page 10

Finishes Alabaster • Dusk • Slate • Flint • Barley • Dove • Millstone • Clay • Cocoa • Cloud • Ceramic • Bone • Cream • Parchment • Mineral • Damson Moss • Smoke • Frame Grey • Raven **Coat Options** @ Matte @ Satin @ Gloss Platinum • Champagne • Gold • Cognac • Gunmetal • Antique Brass • Pewter • Bronzed **Coat Options** @ Satin @ Gloss Brushed Stainless • Natural Silver

Premium Finishes Can be specified at twice the cost of the standard finish
 Brushed Brass Tint • Brushed Bronze Tint • Brushed Carbon Tint • Polished Nickel • Polished Brass Plate • Old Silver • Old Pewter • Old Brass Light Bronze • Bronze Art

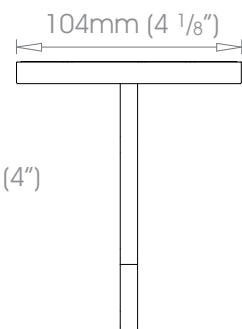
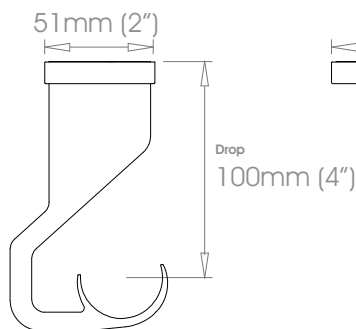
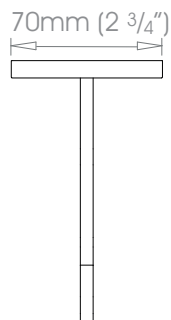
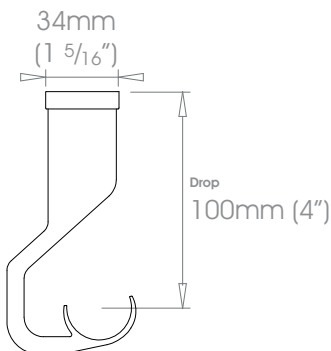
19mm (3/4")

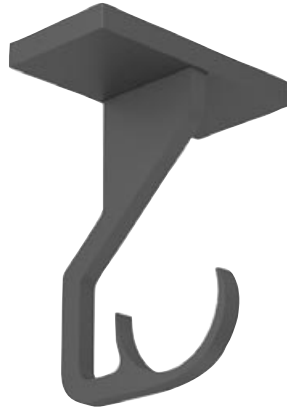
25mm (1")



30mm (1 1/8")

38mm (1 1/2")

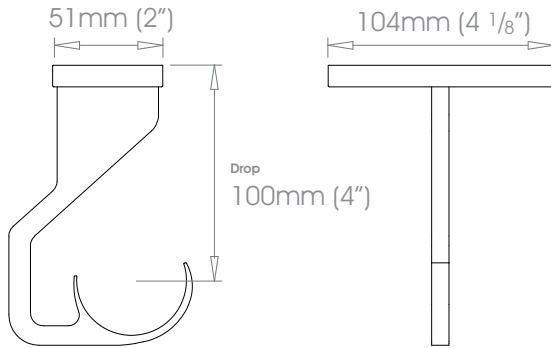




 For custom brackets see page 10

- Finishes** Alabaster • Dusk • Slate • Flint • Barley • Dove • Millstone • Clay • Cocoa • Cloud • Ceramic • Bone • Cream • Parchment • Mineral • Damson Moss • Smoke • Frame Grey • Raven **Coat Options** @ Matte @ Satin @ Gloss Platinum • Champagne • Gold • Cognac • Gunmetal • Antique Brass • Pewter • Bronzed **Coat Options** @ Satin @ Gloss Brushed Stainless • Natural Silver
- Premium Finishes** Can be specified at twice the cost of the standard finish
 Brushed Brass Tint • Brushed Bronze Tint • Brushed Carbon Tint • Polished Nickel • Polished Brass Plate • Old Silver • Old Pewter • Old Brass
 Light Bronze • Bronze Art

50mm (2")



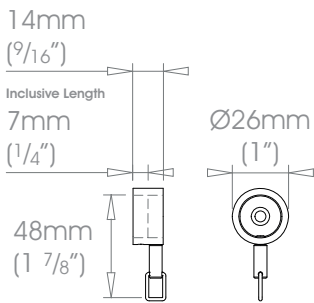


⚠️ Recess brackets are not suitable for use with French poles.

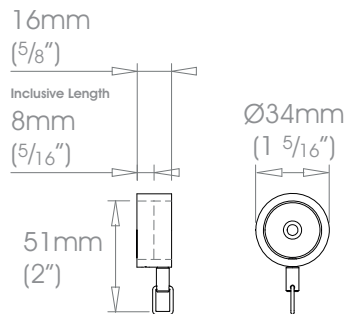
Finishes Alabaster • Dusk • Slate • Flint • Barley • Dove • Millstone • Clay • Cocoa • Cloud • Ceramic • Bone • Cream • Parchment • Mineral • Damson Moss • Smoke • Frame Grey • Raven **Coat Options** ☉ Matte ☉ Satin ☉ Gloss Platinum • Champagne • Gold • Cognac • Gunmetal • Antique Brass • Pewter • Bronzed **Coat Options** ☉ Satin ☉ Gloss Brushed Stainless • Natural Silver

Premium Finishes Can be specified at twice the cost of the standard finish
 Brushed Brass Tint • Brushed Bronze Tint • Brushed Carbon Tint • Polished Nickel • Polished Brass Plate • Old Silver • Old Pewter • Old Brass Light Bronze • Bronze Art

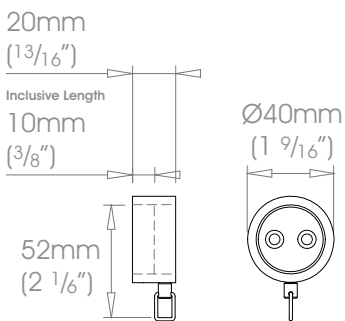
19mm (3/4")



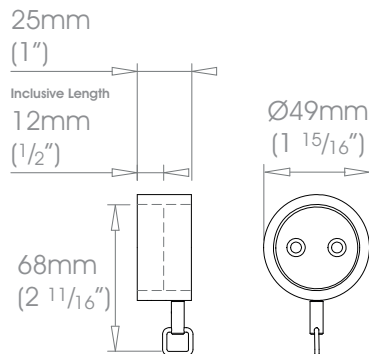
25mm (1")



30mm (1 3/16")



38mm (1 1/2")



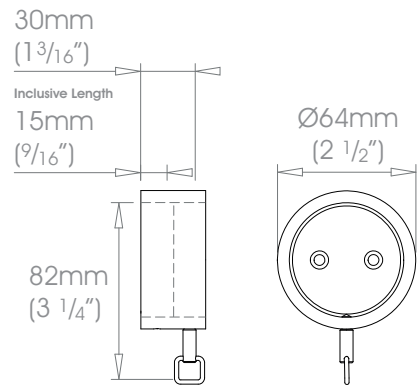


ⓘ Recess brackets are not suitable for use with French poles.

Finishes Alabaster • Dusk • Slate • Flint • Barley • Dove • Millstone • Clay • Cocoa • Cloud • Ceramic • Bone • Cream • Parchment • Mineral • Damson Moss • Smoke • Frame Grey • Raven **Coat Options** ☉ Matte ☉ Satin ☉ Gloss Platinum • Champagne • Gold • Cognac • Gunmetal • Antique Brass • Pewter • Bronzed **Coat Options** ☉ Satin ☉ Gloss Brushed Stainless • Natural Silver

Premium Finishes Can be specified at twice the cost of the standard finish
 Brushed Brass Tint • Brushed Bronze Tint • Brushed Carbon Tint • Polished Nickel • Polished Brass Plate • Old Silver • Old Pewter • Old Brass
 Light Bronze • Bronze Art

50mm (2")



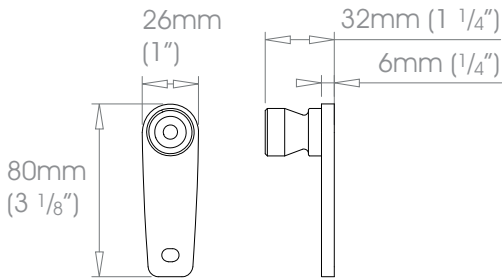


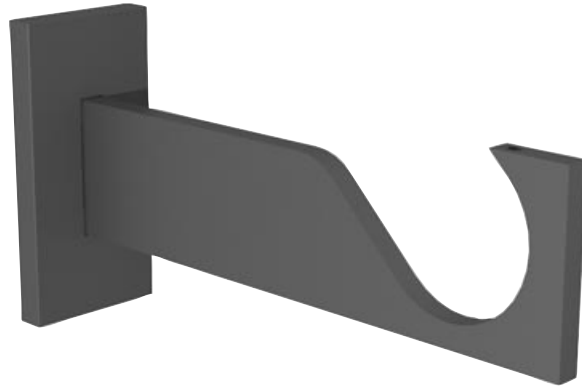
! French systems are not available in Stainless finishes

Finishes Alabaster • Dusk • Slate • Flint • Barley • Dove • Millstone • Clay • Cocoa • Cloud • Ceramic • Bone • Cream • Parchment • Mineral • Damson Moss • Smoke • Frame Grey • Raven **Coat Options** @Matte @Satin @Gloss Platinum • Champagne • Gold • Cognac • Gunmetal • Antique Brass • Pewter • Bronzed **Coat Options** @Satin @Gloss Natural Silver

Premium Finishes Can be specified at twice the cost of the standard finish
 Polished Nickel • Polished Brass Plate • Old Silver • Old Pewter • Old Brass • Light Bronze • Bronze Art

25mm (1")

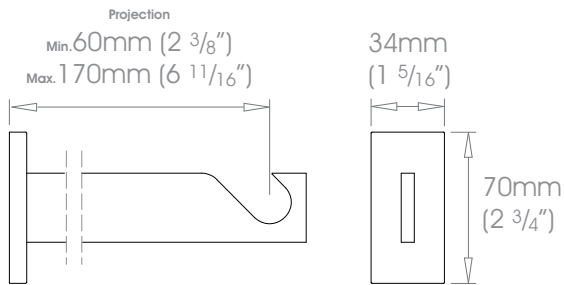




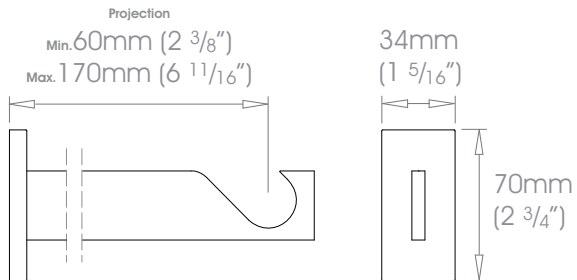
Finishes Alabaster • Dusk • Slate • Flint • Barley • Dove • Millstone • Clay • Cocoa • Cloud • Ceramic • Bone • Cream • Parchment • Mineral • Damson Moss • Smoke • Frame Grey • Raven **Coat Options** @ Matte @ Satin @ Gloss Platinum • Champagne • Gold • Cognac • Gunmetal • Antique Brass • Pewter • Bronzed **Coat Options** @ Satin @ Gloss Brushed Stainless • Natural Silver

Premium Finishes Can be specified at twice the cost of the standard finish
Brushed Brass Tint • Brushed Bronze Tint • Brushed Carbon Tint • Polished Nickel • Polished Brass Plate • Old Silver • Old Pewter • Old Brass Light Bronze • Bronze Art

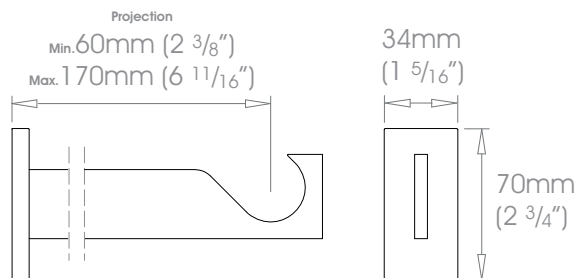
19mm (3/4")



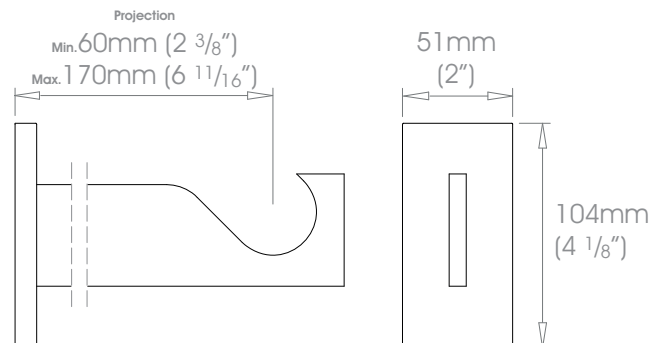
25mm (1")

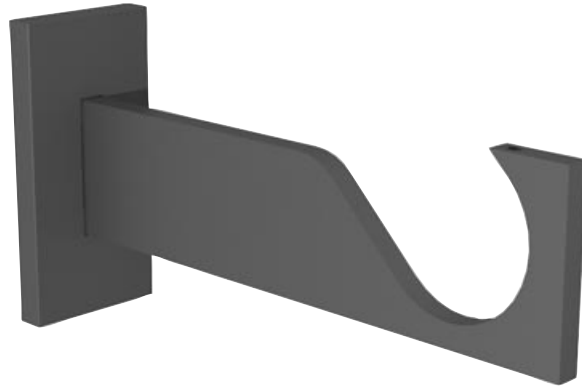


30mm (1 3/16")



38mm (1 1/2")

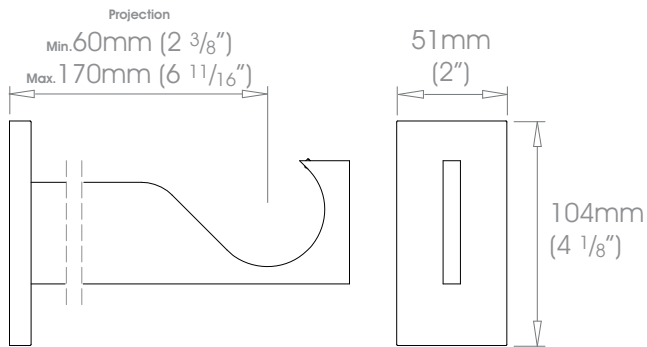


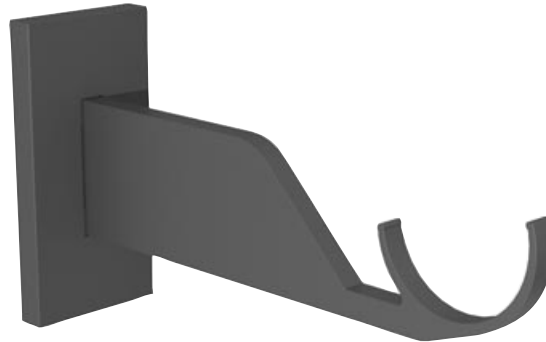


Finishes Alabaster • Dusk • Slate • Flint • Barley • Dove • Millstone • Clay • Cocoa • Cloud • Ceramic • Bone • Cream • Parchment • Mineral • Damson Moss • Smoke • Frame Grey • Raven **Coat Options** @ Matte @ Satin @ Gloss Platinum • Champagne • Gold • Cognac • Gunmetal • Antique Brass • Pewter • Bronzed **Coat Options** @ Satin @ Gloss Brushed Stainless • Natural Silver

Premium Finishes Can be specified at twice the cost of the standard finish
 Brushed Brass Tint • Brushed Bronze Tint • Brushed Carbon Tint • Polished Nickel • Polished Brass Plate • Old Silver • Old Pewter • Old Brass
 Light Bronze • Bronze Art

50mm (2")



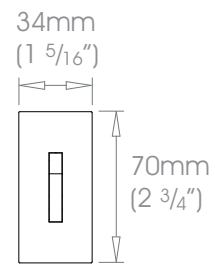
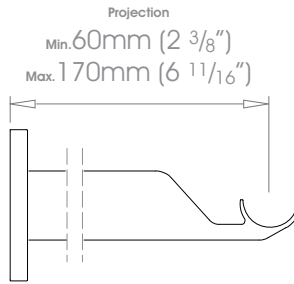
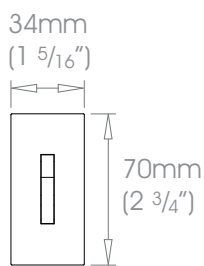
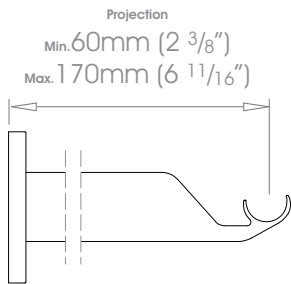


Finishes Alabaster • Dusk • Slate • Flint • Barley • Dove • Millstone • Clay • Cocoa • Cloud • Ceramic • Bone • Cream • Parchment • Mineral • Damson Moss • Smoke • Frame Grey • Raven **Coat Options** ☉ Matte ☉ Satin ☉ Gloss Platinum • Champagne • Gold • Cognac • Gunmetal • Antique Brass • Pewter • Bronzed **Coat Options** ☉ Satin ☉ Gloss Brushed Stainless • Natural Silver

Premium Finishes Can be specified at twice the cost of the standard finish
 Brushed Brass Tint • Brushed Bronze Tint • Brushed Carbon Tint • Polished Nickel • Polished Brass Plate • Old Silver • Old Pewter • Old Brass Light Bronze • Bronze Art

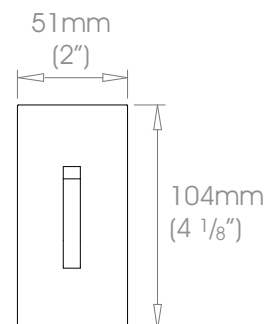
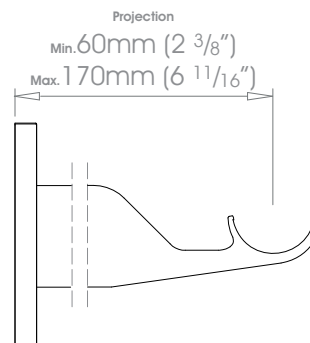
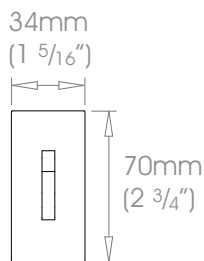
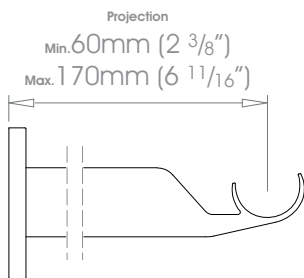
19mm (3/4")

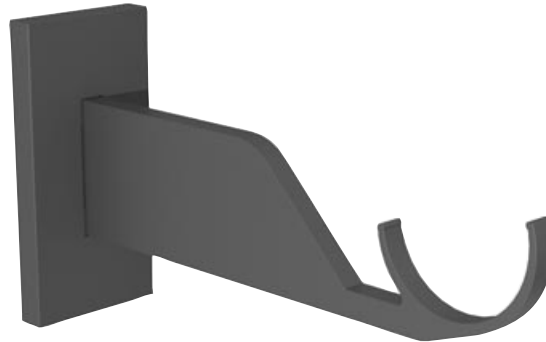
25mm (1")



30mm (1 3/16")

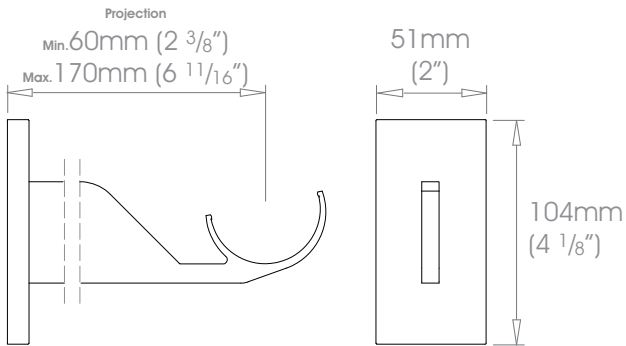
38mm (1 1/2")

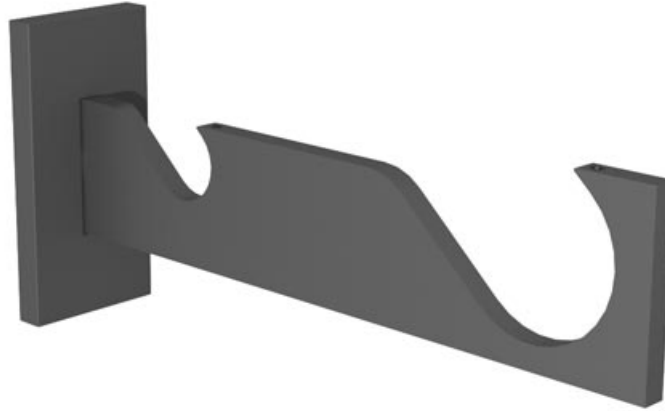




- Finishes** Alabaster • Dusk • Slate • Flint • Barley • Dove • Millstone • Clay • Cocoa • Cloud • Ceramic • Bone • Cream • Parchment • Mineral • Damson Moss • Smoke • Frame Grey • Raven **Coat Options** @ Matte @ Satin @ Gloss Platinum • Champagne • Gold • Cognac • Gunmetal • Antique Brass • Pewter • Bronzed **Coat Options** @ Satin @ Gloss Brushed Stainless • Natural Silver
- Premium Finishes** Can be specified at twice the cost of the standard finish
 Brushed Brass Tint • Brushed Bronze Tint • Brushed Carbon Tint • Polished Nickel • Polished Brass Plate • Old Silver • Old Pewter • Old Brass
 Light Bronze • Bronze Art

50mm (2")

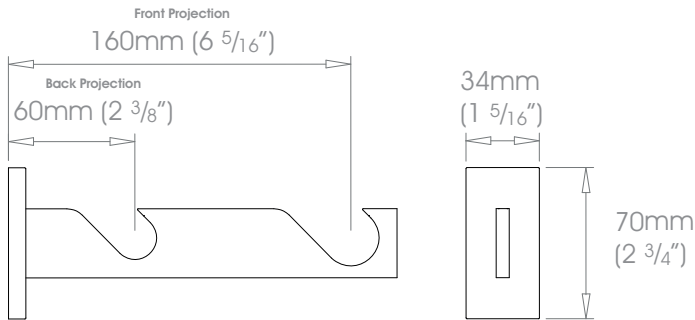




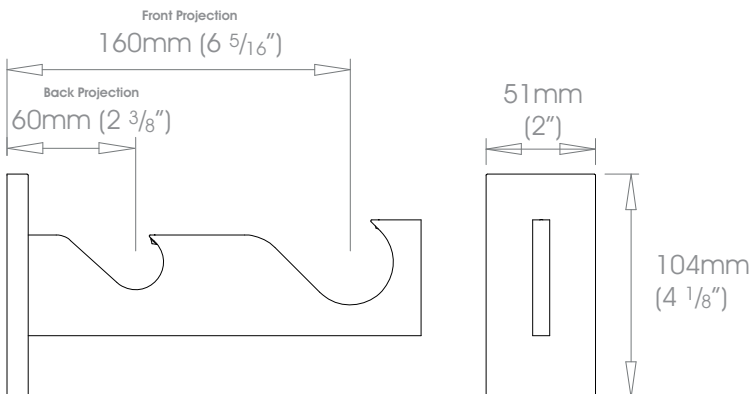
Finishes Alabaster • Dusk • Slate • Flint • Barley • Dove • Millstone • Clay • Cocoa • Cloud • Ceramic • Bone • Cream • Parchment • Mineral • Damson Moss • Smoke • Frame Grey • Raven **Coat Options** ☉ Matte ☉ Satin ☉ Gloss Platinum • Champagne • Gold • Cognac • Gunmetal • Antique Brass • Pewter • Bronzed **Coat Options** ☉ Satin ☉ Gloss Brushed Stainless • Natural Silver

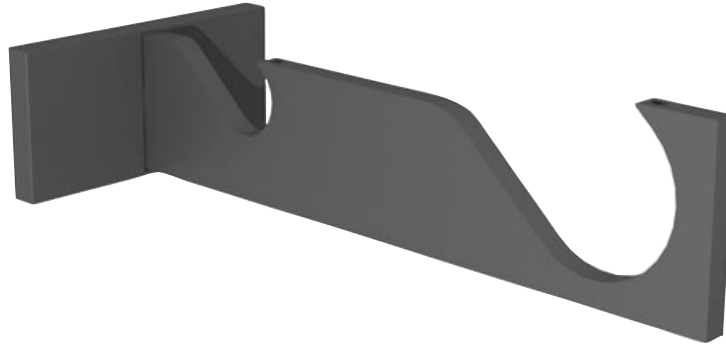
Premium Finishes Can be specified at twice the cost of the standard finish
 Brushed Brass Tint • Brushed Bronze Tint • Brushed Carbon Tint • Polished Nickel • Polished Brass Plate • Old Silver • Old Pewter • Old Brass Light Bronze • Bronze Art

ƒ25mm (1") ƒ19mm (3/4")



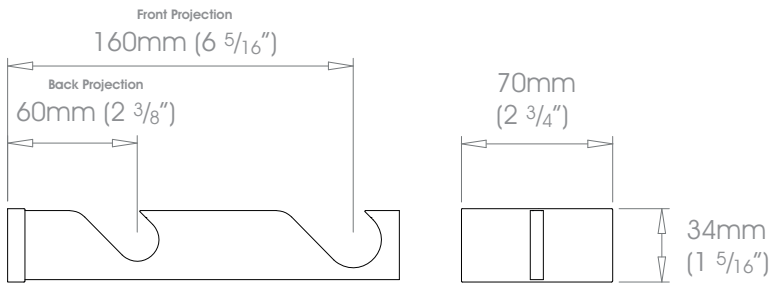
ƒ38mm (1 1/2") ƒ25mm (1")



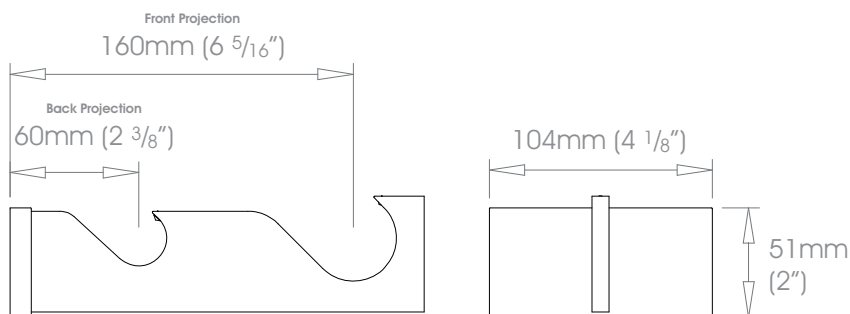


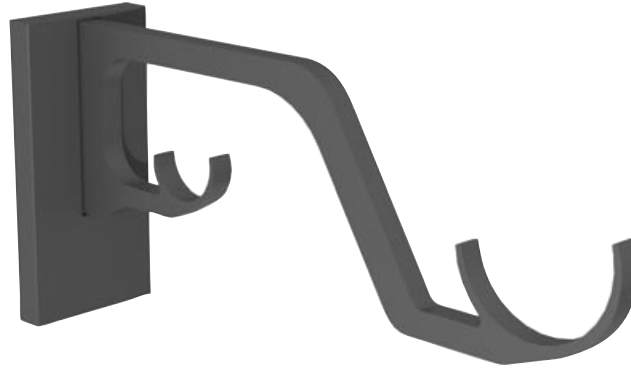
- Finishes** Alabaster • Dusk • Slate • Flint • Barley • Dove • Millstone • Clay • Cocoa • Cloud • Ceramic • Bone • Cream • Parchment • Mineral • Damson Moss • Smoke • Frame Grey • Raven **Coat Options** ☉ Matte ☉ Satin ☉ Gloss Platinum • Champagne • Gold • Cognac • Gunmetal • Antique Brass • Pewter • Bronzed **Coat Options** ☉ Satin ☉ Gloss Brushed Stainless • Natural Silver
- Premium Finishes** Can be specified at twice the cost of the standard finish
 Brushed Brass Tint • Brushed Bronze Tint • Brushed Carbon Tint • Polished Nickel • Polished Brass Plate • Old Silver • Old Pewter • Old Brass Light Bronze • Bronze Art

F25mm (1") B19mm (3/4")



F38mm (1 1/2") B25mm (1")

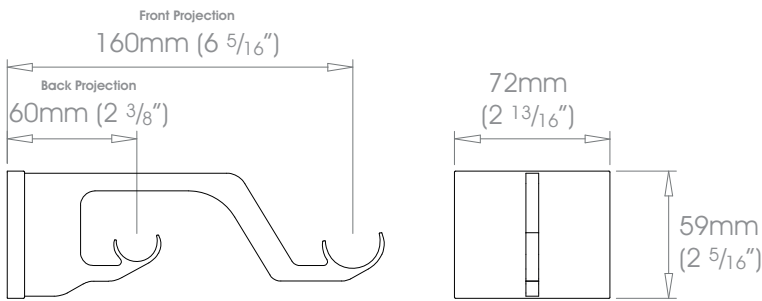




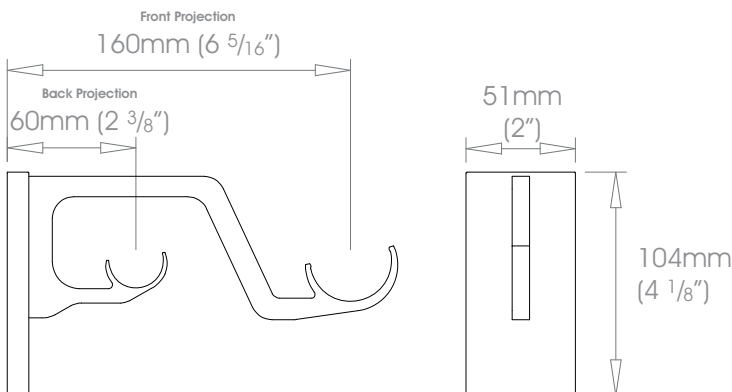
Finishes Alabaster • Dusk • Slate • Flint • Barley • Dove • Millstone • Clay • Cocoa • Cloud • Ceramic • Bone • Cream • Parchment • Mineral • Damson Moss • Smoke • Frame Grey • Raven **Coat Options** ☉ Matte ☉ Satin ☉ Gloss Platinum • Champagne • Gold • Cognac • Gunmetal • Antique Brass • Pewter • Bronzed **Coat Options** ☉ Satin ☉ Gloss Brushed Stainless • Natural Silver

Premium Finishes Can be specified at twice the cost of the standard finish
 Brushed Brass Tint • Brushed Bronze Tint • Brushed Carbon Tint • Polished Nickel • Polished Brass Plate • Old Silver • Old Pewter • Old Brass
 Light Bronze • Bronze Art

F25mm (1") B19mm (3/4")



F38mm (1 1/2") B25mm (1")



MIO

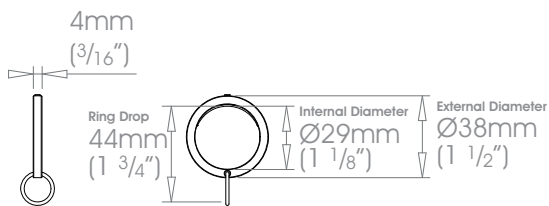
RINGS



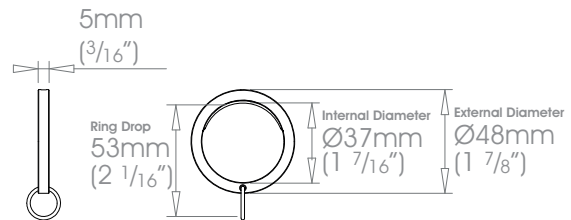
Finishes Alabaster • Dusk • Slate • Flint • Barley • Dove • Millstone • Clay • Cocoa • Cloud • Ceramic • Bone • Cream • Parchment • Mineral • Damson Moss • Smoke • Frame Grey • Raven **Coat Options** @ Matte @ Satin @ Gloss Platinum • Champagne • Gold • Cognac • Gunmetal • Antique Brass • Pewter • Bronzed **Coat Options** @ Satin @ Gloss Brushed Stainless • Natural Silver

Premium Finishes Can be specified at twice the cost of the standard finish
Brushed Brass Tint • Brushed Bronze Tint • Brushed Carbon Tint • Polished Nickel • Polished Brass Plate • Old Silver • Old Pewter • Old Brass Light Bronze • Bronze Art

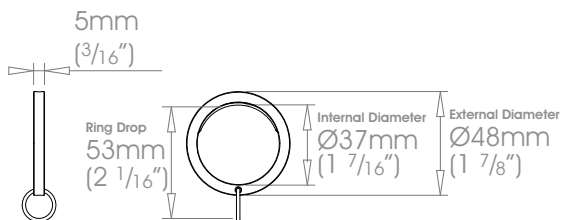
19mm (3/4")



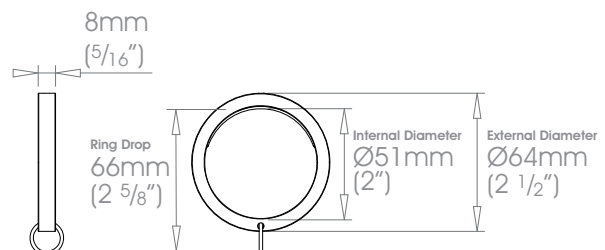
25mm (1")



30mm (1 3/16")



38mm (1 1/2")

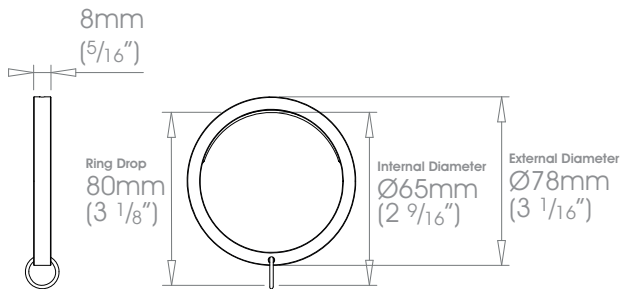




Finishes Alabaster • Dusk • Slate • Flint • Barley • Dove • Millstone • Clay • Cocoa • Cloud • Ceramic • Bone • Cream • Parchment • Mineral • Damson Moss • Smoke • Frame Grey • Raven **Coat Options** @ Matte @ Satin @ Gloss Platinum • Champagne • Gold • Cognac • Gunmetal • Antique Brass • Pewter • Bronzed **Coat Options** @ Satin @ Gloss Brushed Stainless • Natural Silver

Premium Finishes Can be specified at twice the cost of the standard finish
 Brushed Brass Tint • Brushed Bronze Tint • Brushed Carbon Tint • Polished Nickel • Polished Brass Plate • Old Silver • Old Pewter • Old Brass
 Light Bronze • Bronze Art

50mm (2")

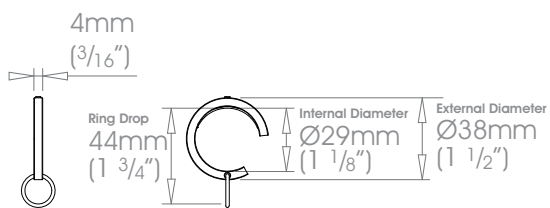




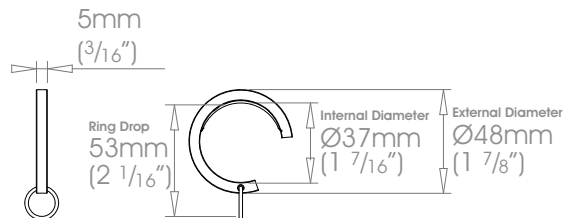
Finishes Alabaster • Dusk • Slate • Flint • Barley • Dove • Millstone • Clay • Cocoa • Cloud • Ceramic • Bone • Cream • Parchment • Mineral • Damson Moss • Smoke • Frame Grey • Raven **Coat Options** @ Matte @ Satin @ Gloss Platinum • Champagne • Gold • Cognac • Gunmetal • Antique Brass • Pewter • Bronzed **Coat Options** @ Satin @ Gloss Brushed Stainless • Natural Silver

Premium Finishes Can be specified at twice the cost of the standard finish
Brushed Brass Tint • Brushed Bronze Tint • Brushed Carbon Tint • Polished Nickel • Polished Brass Plate • Old Silver • Old Pewter • Old Brass Light Bronze • Bronze Art

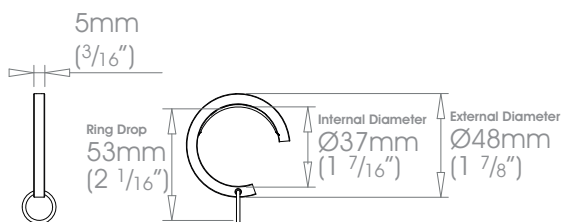
19mm (3/4")



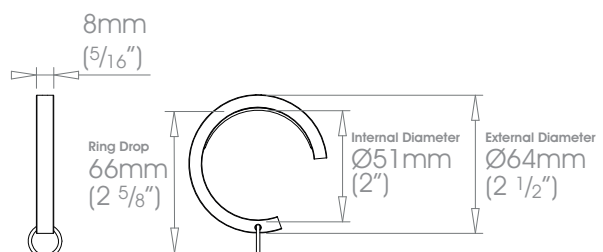
25mm (1")



30mm (1 3/16")



38mm (1 1/2")

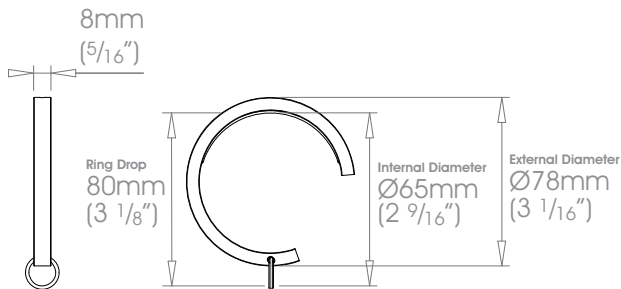




Finishes Alabaster • Dusk • Slate • Flint • Barley • Dove • Millstone • Clay • Cocoa • Cloud • Ceramic • Bone • Cream • Parchment • Mineral • Damson Moss • Smoke • Frame Grey • Raven **Coat Options** @ Matte @ Satin @ Gloss Platinum • Champagne • Gold • Cognac • Gunmetal • Antique Brass • Pewter • Bronzed **Coat Options** @ Satin @ Gloss Brushed Stainless • Natural Silver

Premium Finishes Can be specified at twice the cost of the standard finish
 Brushed Brass Tint • Brushed Bronze Tint • Brushed Carbon Tint • Polished Nickel • Polished Brass Plate • Old Silver • Old Pewter • Old Brass
 Light Bronze • Bronze Art

50mm (2")



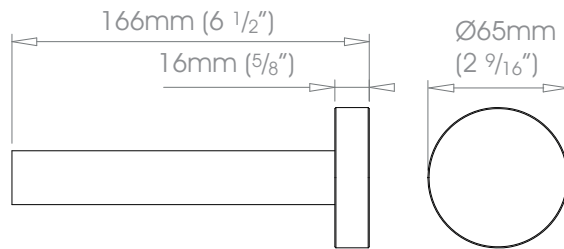
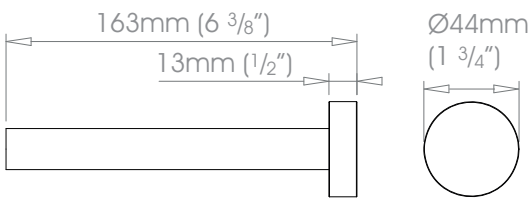


Finishes Alabaster • Dusk • Slate • Flint • Barley • Dove • Millstone • Clay • Cocoa • Cloud • Ceramic • Bone • Cream • Parchment • Mineral • Damson Moss • Smoke • Frame Grey • Raven **Coat Options** @Matte @Satin @Gloss Platinum • Champagne • Gold • Cognac • Gunmetal • Antique Brass • Pewter • Bronzed **Coat Options** @Satin @Gloss Brushed Stainless • Natural Silver

Premium Finishes Can be specified at twice the cost of the standard finish
 Brushed Brass Tint • Brushed Bronze Tint • Brushed Carbon Tint • Polished Nickel • Polished Brass Plate • Old Silver • Old Pewter • Old Brass
 Light Bronze • Bronze Art

Small

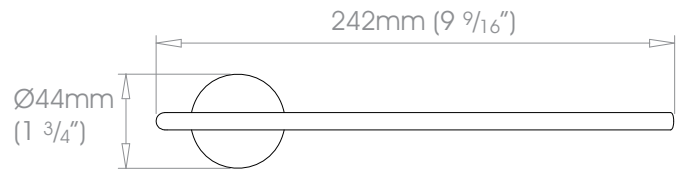
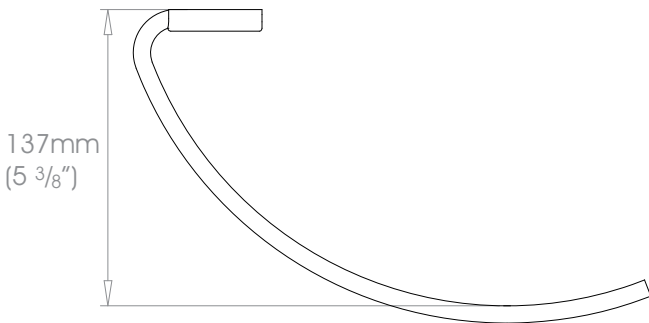
Large





Finishes Alabaster • Dusk • Slate • Flint • Barley • Dove • Millstone • Clay • Cocoa • Cloud • Ceramic • Bone • Cream • Parchment • Mineral • Damson Moss • Smoke • Frame Grey • Raven **Coat Options** @Matte @Satin @Gloss Platinum • Champagne • Gold • Cognac • Gunmetal • Antique Brass • Pewter • Bronzed **Coat Options** @Satin @Gloss Brushed Stainless • Natural Silver

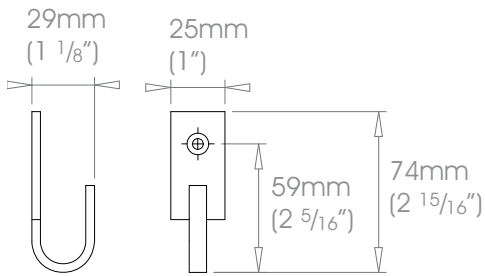
Premium Finishes Can be specified at twice the cost of the standard finish
 Brushed Brass Tint • Brushed Bronze Tint • Brushed Carbon Tint • Polished Nickel • Polished Brass Plate • Old Silver • Old Pewter • Old Brass
 Light Bronze • Bronze Art

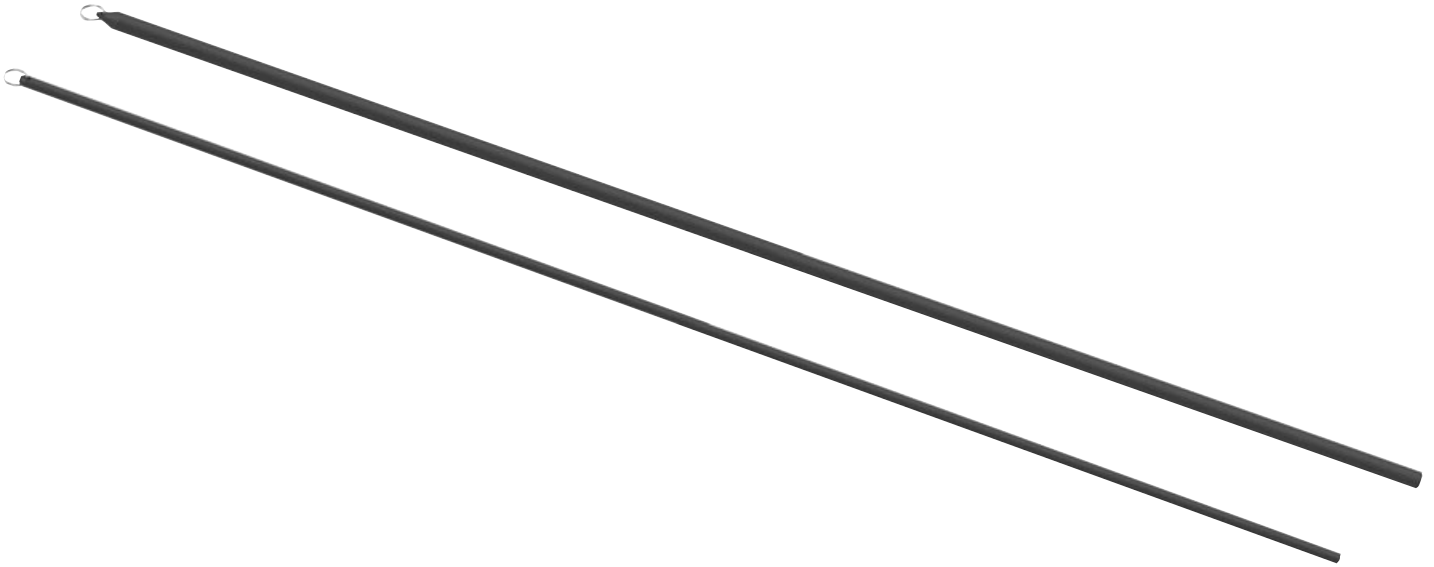




Finishes Alabaster • Dusk • Slate • Flint • Barley • Dove • Millstone • Clay • Cocoa • Cloud • Ceramic • Bone • Cream • Parchment • Mineral • Damson Moss • Smoke • Frame Grey • Raven **Coat Options** @ Matte @ Satin @ Gloss Platinum • Champagne • Gold • Cognac • Gunmetal • Antique Brass • Pewter • Bronzed **Coat Options** @ Satin @ Gloss Brushed Stainless • Natural Silver

Premium Finishes Can be specified at twice the cost of the standard finish
 Brushed Brass Tint • Brushed Bronze Tint • Brushed Carbon Tint • Polished Nickel • Polished Brass Plate • Old Silver • Old Pewter • Old Brass
 Light Bronze • Bronze Art





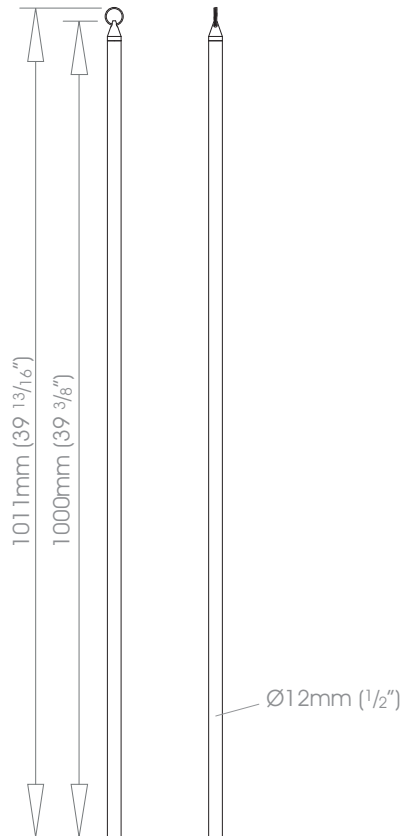
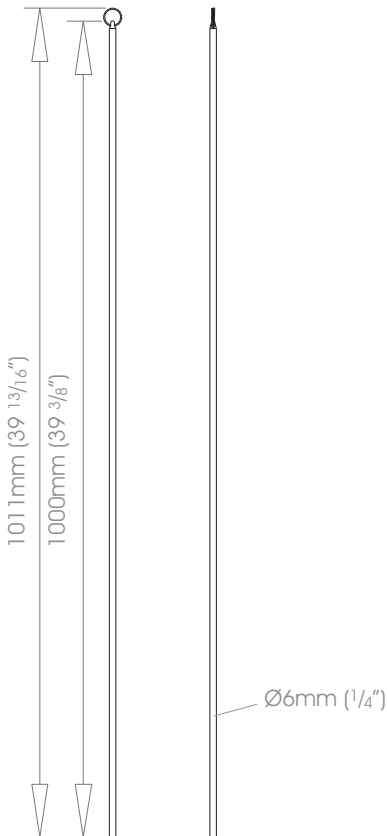
Draw Rods are not recommend for use with passing rings

Finishes Alabaster • Dusk • Slate • Flint • Barley • Dove • Millstone • Clay • Cocoa • Cloud • Ceramic • Bone • Cream • Parchment • Mineral • Damson Moss • Smoke • Frame Grey • Raven **Coat Options** @ Matte @ Satin @ Gloss Platinum • Champagne • Gold • Cognac • Gunmetal • Antique Brass • Pewter • Bronzed **Coat Options** @ Satin @ Gloss Brushed Stainless • Natural Silver

Premium Finishes Can be specified at twice the cost of the standard finish
 Brushed Brass Tint • Brushed Bronze Tint • Brushed Carbon Tint • Polished Nickel • Polished Brass Plate • Old Silver • Old Pewter • Old Brass
 Light Bronze • Bronze Art

Fine

Standard

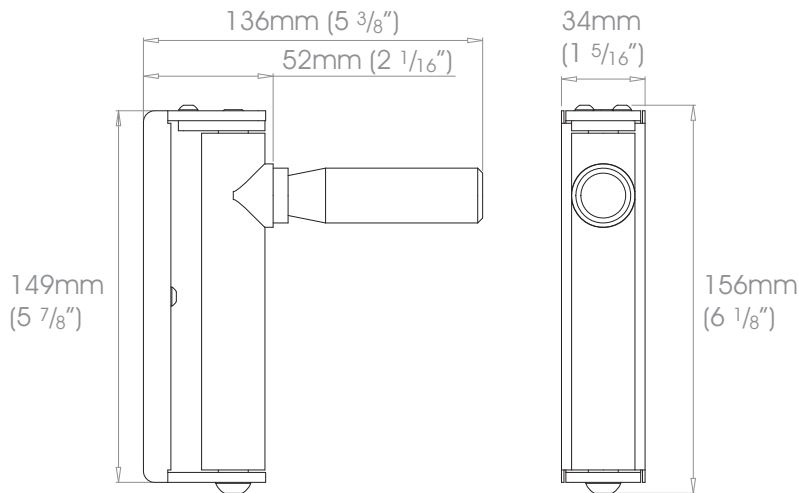




⚠ Drapery arms should only be used with Stud or Disc finials.
Poles should be no longer than 1m (3'4") in length

- Finishes** Alabaster • Dusk • Slate • Flint • Barley • Dove • Millstone • Clay • Cocoa • Cloud • Ceramic • Bone • Cream • Parchment • Mineral • Damson Moss • Smoke • Frame Grey • Raven **Coat Options** @ Matte @ Satin @ Gloss Platinum • Champagne • Gold • Cognac • Gunmetal • Antique Brass • Pewter • Bronzed **Coat Options** @ Satin @ Gloss Brushed Stainless • Natural Silver
- Premium Finishes** Can be specified at twice the cost of the standard finish
Brushed Brass Tint • Brushed Bronze Tint • Brushed Carbon Tint • Polished Nickel • Polished Brass Plate • Old Silver • Old Pewter • Old Brass Light Bronze • Bronze Art

25mm (1")



CONTACT

www.bradleycollection.com



UK & REST OF THE WORLD

☎ +44 (0)1449 722 724
✉ info@bradleycollection.com

USA & CANADA

☎ +1 (310) 815 8255
✉ info.us@bradleycollection.com

the**bradley**collection

Specialised fixings for mounting brackets will be required in certain situations and are not provided as standard. Steel items are not recommended for damp conditions such as shower rooms. Crystal finials and acrylic poles should not be positioned in direct sunlight, and are not suitable for use in conservatories. Brass items are supplied unlacquered and will tarnish over time.

The Bradley Collection reserves the right to modify design and materials without prior notice as part of a process of continual product improvement. Due to printing limitations, colours in this brochure may not be accurate.

Products are protected by Design Rights, under provisions of Copyright, Designs & Patents Act 1988. Bradley®, The Bradley Collection® and  Logo are registered Community trademarks of The Bradley Collection Ltd. in Europe and registered trademarks of the Bradley Collection, Inc. in the USA.

The Bradley Collection Ltd Lion Barn • Maitland Road • Needham Market • Suffolk • IP6 8NS • UK

Published: 0821 • Copyright © The Bradley Collection Ltd. 2021