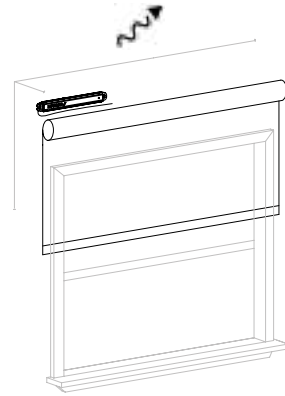


## Sivoia® QS | Wireless System - 868 MHz, Limited 868 MHz and 865 MHz

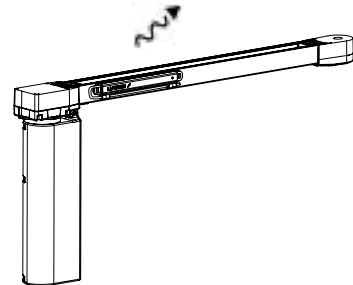
The *Sivoia* QS wireless system utilizes the ultra-quiet, precision controlled Electronic Drive Unit. The *Sivoia* QS wireless drive is available for roller blind, curtain and tensioned blind systems.

### Features

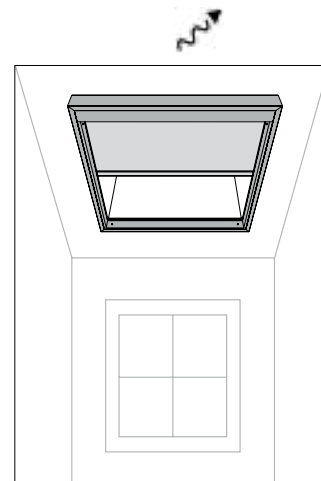
- Ultra-quiet operation: will not exceed 44 dBA measured 1 m (3 ft) from the drive
- *Sivoia* QS wireless drives available for roller blind, curtain track and tensioned blind systems.
- All drives start, move and stop with precision.
- Offers programmable stop points. The drive tracks the position of the blind and is able to adjust it to predetermined locations at the touch of a button.
- Easy-to-read and easy-to-use controls are immediately understood
- Does not require group controls or relay systems to create groups and sub-groups
- Standards: CE
- 24 V $\overline{\text{---}}$  low-voltage power
- Power failure memory stores system programming including grouping, presets and blind limits for the lifetime of the product



QS wireless  
roller blind



QS wireless  
curtain track



QS wireless  
tensioned blind

**Job Name:**

**Model Numbers:**

**Job Number:**

## Specifications

### Power

- Operating voltage: Low-voltage 24 V $\overline{=}$  power supply required
- Control system power supply offers over voltage protection (spike and brownout) (+/- 10% of line voltage) for all devices in the system.
- Power supply provides appropriate Electro Static Discharge (ESD) protection for all devices in the system
- Power must be derived from a Lutron® approved power source

### System Capacity

- Maximum of 100 devices (*Sivoia* QS wireless roller blinds/curtain track drive units, QS wireless Pico® controls, QS GRAFIK Eye wireless)
- System allows for a total of 100 zones, including *Sivoia* QS wireless drives

### Performance

- Each drive stores presets positioned at any stop point along the blind's travel, as well as full open and full close blind limits
- Each drive is capable of stopping with the accuracy of 3 mm (0.125 in) steps for the entire travel of the blind
- Preset points can be located at any point between the open/close limits and are adjustable with a 5 second button push and hold from the *Sivoia* QS wireless *Pico* Control
- Wireless range: 9 m (30 ft)
- For systems with multiple drives, blinds smoothly move in unison and exact alignment within 3 mm (0.125 in) accuracy at all times

### Grouping

- System keypads can control any drive, group, or subgroup without a separate group controller or additional interface
- Controls within this system are able to operate any group or subgroup of drives, regardless of window treatment type

### Controls

- *Sivoia* QS wireless blinds can be controlled by *Sivoia* QS wireless *Pico* Controls

### Regulatory

- Lutron Quality Systems registered to ISO 9001.2008.

### QSYC8

- CE-Marked (European Union)
- TRA Type Approved (United Arab Emirates)

### QSYCM

- CE-Marked (European Union)
- SRRC Type Approved (Mainland China)
- IDA Registerd (Singapore)

### QSYCN

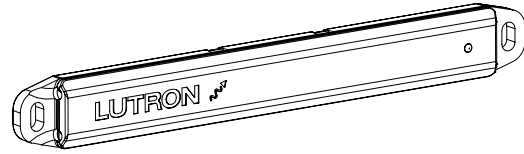
- WPC Type Approved (India)

<b>Job Name:</b>  <b>Job Number:</b>	<b>Model Numbers:</b>
--	-----------------------

## Sivoia® QS | Wireless Receiver

### Features

- Facilitates communications between QS shades and QS control devices (Pico®, QS GRAFIK Eye® Wireless).
- Power failure memory stores system programming for 10 years, including system grouping.



QS wireless receiver

### Power

- Operating Voltage: Low Voltage 24 V<sub>DC</sub>  
Provided by the QS drive.

### System Communications and Capacity

- Sivoia QS wireless receiver communicates with Pico controls and GRAFIK Eye QS wireless devices with radio frequencies at 868 MHz, Limited 868 MHz and 865 MHz.

### Model Numbers

QSYC8 - RCVR → 868 MHz (European Union and United Arab Emirates)

QSYCM - RCVR → Limited 868 MHz (European Union, Mainland China, and Singapore)

QSYCN - RCVR → 865 MHz (India)

### Environment

- Ambient operating temperature 0-40° C  
(32-104° F)

### Warranty

- 1 year Limited Warranty

<b>Job Name:</b>  <b>Job Number:</b>	<b>Model Numbers:</b>
--	-----------------------

## Wire Length Chart

QS Wireless Power Supply Panel Wiring Guide			
Maximum devices per one output	Maximum distance per one output based on wire gauge		
Blinds/Curtains	4 mm <sup>2</sup> (12 AWG)	1.5 mm <sup>2</sup> (16 AWG) QSHY-CBLP-M-1000	1 mm <sup>2</sup> (18 AWG)
1 Sivoia QS Wireless *Blind/Curtain Drive Unit	150 m (500 ft)	60 m (200 ft)	30 m (100 ft)
2 Sivoia QS Wireless roller 64, ≤ 2.75 sq m (30 sq ft) each	60 m (200 ft)	20 m (75 ft)	15 m (50 ft)
3 Sivoia QS Wireless roller 64, ≤ 1.8 sq m (20 sq ft) each			
2 Sivoia QS Wireless Roller 100 ≤ 4.6 sq m (50 sq ft) each			

QS Wireless Individual Power Supply Wiring Guide			
Maximum devices from one Individual power supply	Total wire length based on wire gauge		
Blinds	4 mm <sup>2</sup> (12 AWG)	1.5 mm <sup>2</sup> (16 AWG) QSHY-CBLP-M-1000	1 mm <sup>2</sup> (18 AWG)
1 Sivoia QS *Blind/Curtain Drive Unit	75 m (250 ft)	30 m (100 ft)	15 m (50 ft)

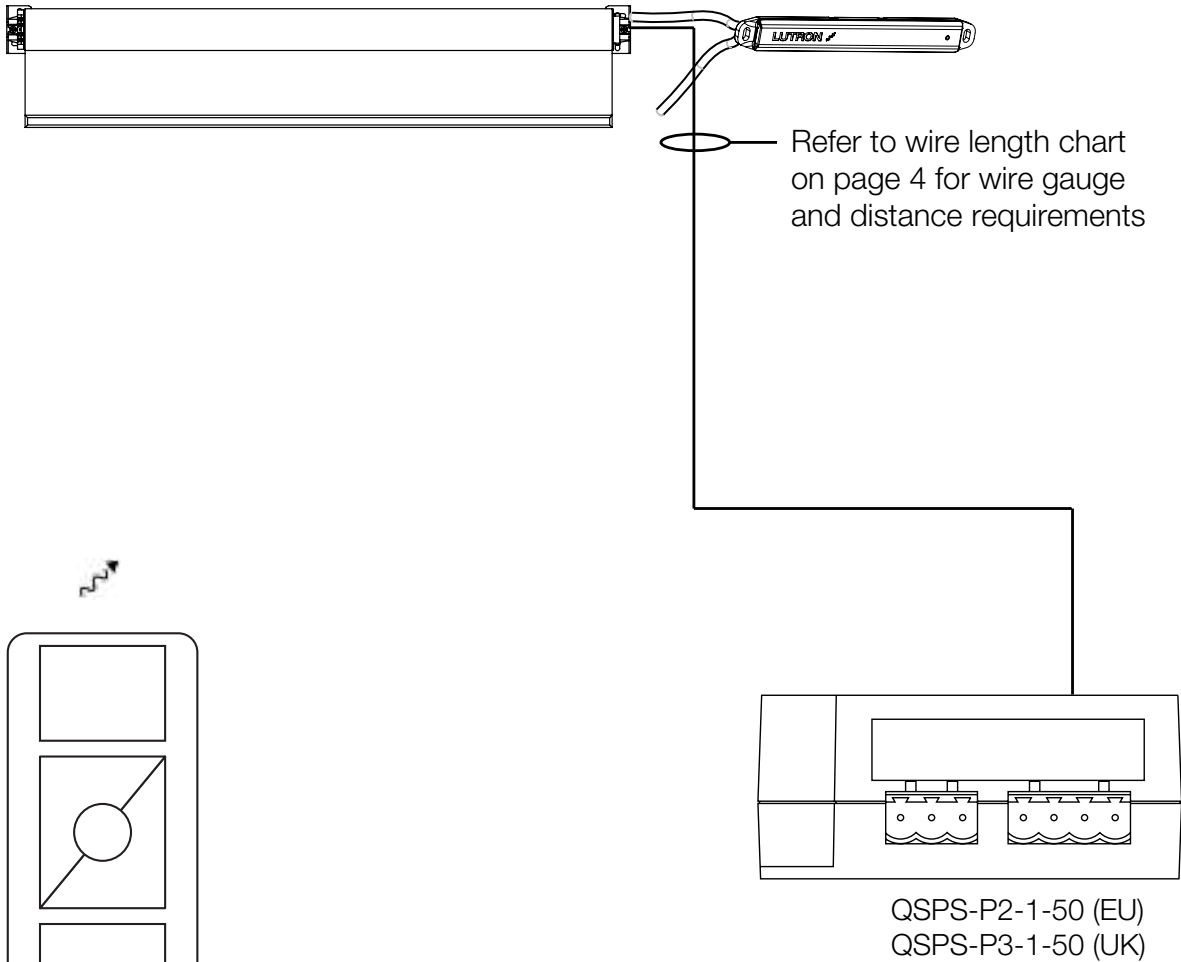
QS wireless only uses 2 conductors (COM and 24 V). Communication link (MUX and  $\overline{\text{MUX}}$ ) is not used and should not be connected to QS Wireless devices.

\* roller 20, roller 64, roller 100, roller 200CW, roller 225, D105, D145, D175, tensioned blind

<b>Job Name:</b>	<b>Model Numbers:</b>
<b>Job Number:</b>	

### Example: One Blind/Curtain Per Output with Individual Power Supply

Sivoia QS wireless blind/curtain\*



#### Pico® wireless control\*\*

Battery powered  
(3 V battery included)

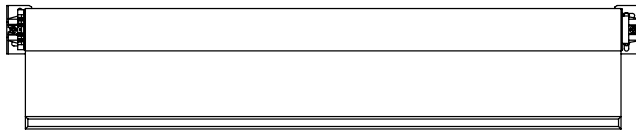
\* roller 20, roller 64, roller 100, roller 200CW, roller 225, D105, D145, D175, tensioned blind  
Maximum of 100 devices (Sivoia QS blind/curtain drives and Pico controls)

\*\* Pico wireless control available in 868 MHz, Limited 868 MHz and 865 MHz.  
For specific model numbers, inquire with Lutron Customer Service at [www.lutron.com](http://www.lutron.com)

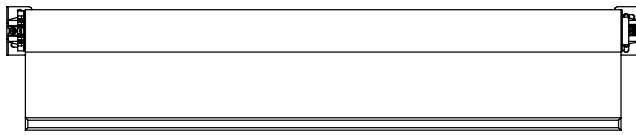
<b>Job Name:</b>  <b>Job Number:</b>	<b>Model Numbers:</b>
--	-----------------------

### Example: One Blind/Curtain Per Power Panel Output

Sivoia QS wireless blind/curtain\*

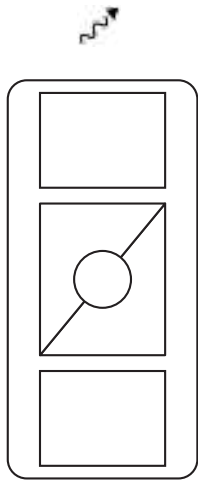


Sivoia QS wireless blind/curtain\*



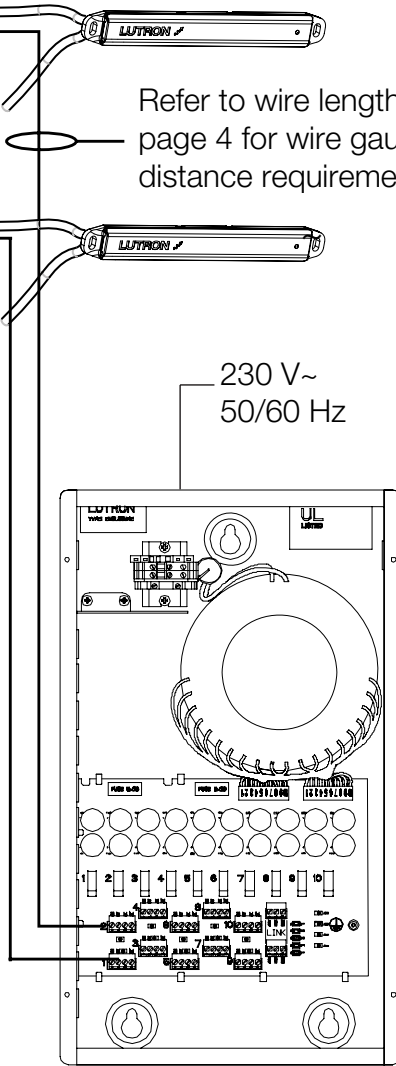
Refer to wire length chart on page 4 for wire gauge and distance requirements

230 V~  
50/60 Hz



**Pico® wireless control\*\***

Battery powered  
(3 V battery included)



QSPS-P2-10-60

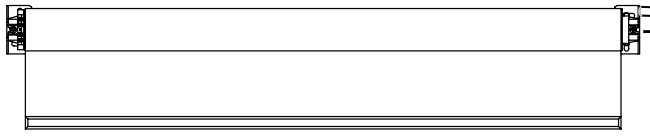
\* roller 20, roller 64, roller 100, roller 200CW, roller 225, D105, D145, D175, tensioned blind  
Maximum of 100 devices (Sivoia QS blind/curtain drives and Pico controls)

\*\* Pico wireless control available in 868 MHz, Limited 868 MHz and 865 MHz.  
For specific model numbers, inquire with Lutron Customer Service at [www.lutron.com](http://www.lutron.com)

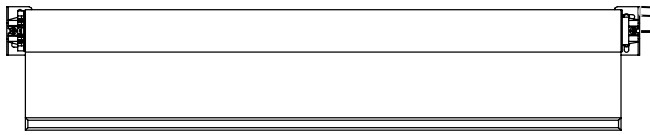
<b>Job Name:</b>	<b>Model Numbers:</b>
<b>Job Number:</b>	

### Example: Multiple Blinds/Curtains Per Power Panel Output

Sivoia QS wireless roller 64, 2.25 sq m (25 sq ft)\*

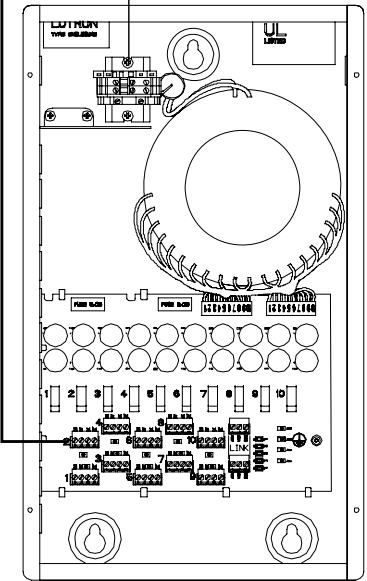


Sivoia QS wireless roller 64, 2.25 sq m (25 sq ft)\*

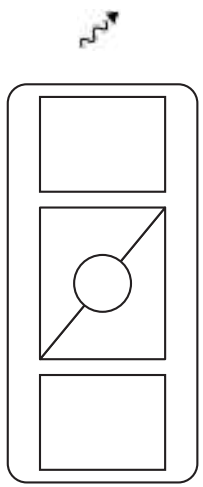


Refer to wire length chart on page 4 for wire gauge and distance requirements

230 V~  
50/60 Hz



QSPS-P2-10-60



**Pico® wireless control\*\***  
Battery powered  
(3 V battery included)

\* roller 20, roller 64, roller 100, roller 200CW, roller 225, D105, D145, D175, tensioned blind  
Maximum of 100 devices (Sivoia QS blind/curtain drives and Pico controls)  
\*\* Pico wireless control available in 868 MHz, Limited 868 MHz and 865 MHz.  
For specific model numbers, inquire with Lutron Customer Service at [www.lutron.com](http://www.lutron.com)

<b>Job Name:</b>	<b>Model Numbers:</b>
<b>Job Number:</b>	