

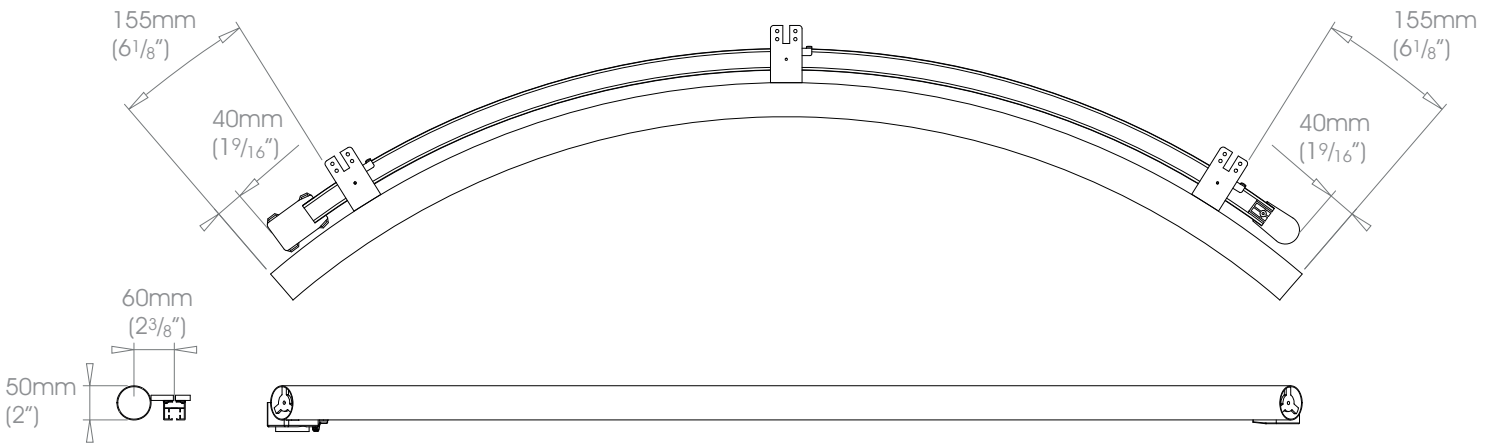


⚠ Track will be finished in a complementary colour to match the fascia pole. Please refer to the specification guide

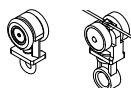
**Finishes** Alabaster • Dusk • Slate • Flint • Barley • Dove • Millstone • Clay • Cocoa • Cloud • Ceramic • Bone • Cream • Parchment • Mineral • Damson Moss • Smoke • Frame Grey • Raven **Coat Options** @Matte / @Satin / @Gloss | Platinum • Champagne • Gold • Cognac • Gunmetal Antique Brass • Pewter • Bronzed **Coat Options** @Satin / @Gloss | Dawn • Mist • Sunset • Night Sky • Midnight Brushed Stainless | Polished • Natural Steel • Brass Toned • Matte Brass Toned • Oil Rubbed • Waxed

**Premium Finishes** Can be specified at twice the cost of the standard finish  
Brushed Brass Tint • Brushed Bronze Tint • Brushed Carbon Tint | Old Silver • Old Pewter • Old Brass • Light Bronze • Bronze Art

**50mm (2") - Left Hand Motor**



**Gliding Options** Roller • Ripplefold® Roller



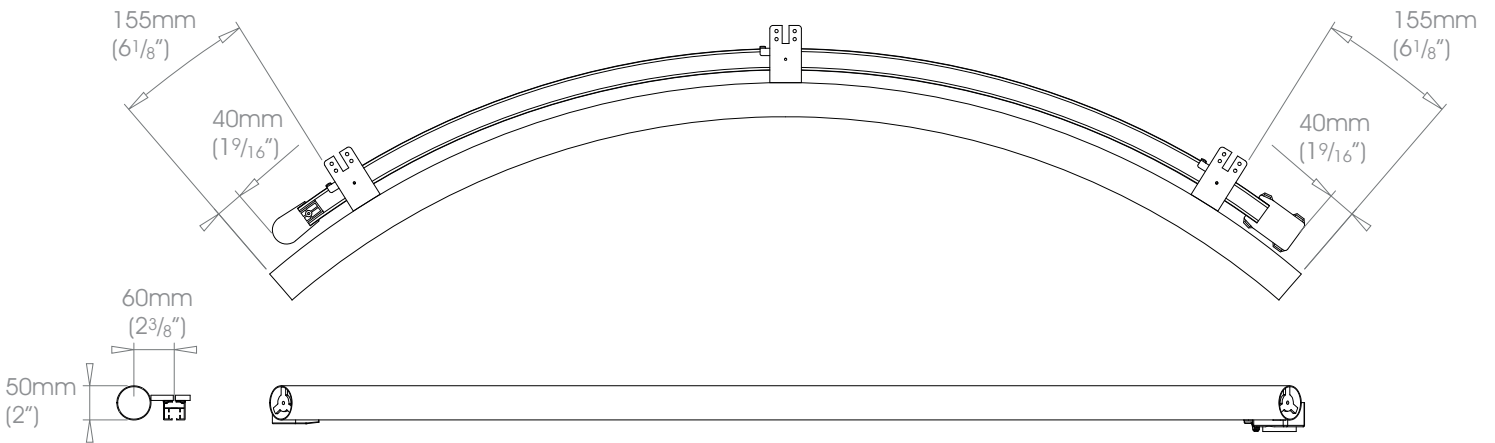


**!** Track will be finished in a complementary colour to match the fascia pole. Please refer to the specification guide

**Finishes** Alabaster • Dusk • Slate • Flint • Barley • Dove • Millstone • Clay • Cocoa • Cloud • Ceramic • Bone • Cream • Parchment • Mineral • Damson Moss • Smoke • Frame Grey • Raven **Coat Options** @Matte / @Satin / @Gloss | Platinum • Champagne • Gold • Cognac • Gunmetal Antique Brass • Pewter • Bronzed **Coat Options** @Satin / @Gloss | Dawn • Mist • Sunset • Night Sky • Midnight Brushed Stainless | Polished • Natural Steel • Brass Toned • Matte Brass Toned • Oil Rubbed • Waxed

**Premium Finishes** Can be specified at twice the cost of the standard finish  
Brushed Brass Tint • Brushed Bronze Tint • Brushed Carbon Tint | Old Silver • Old Pewter • Old Brass • Light Bronze • Bronze Art

**50mm (2") - Right Hand Motor**



**Gliding Options** Roller • Ripplefold® Roller

