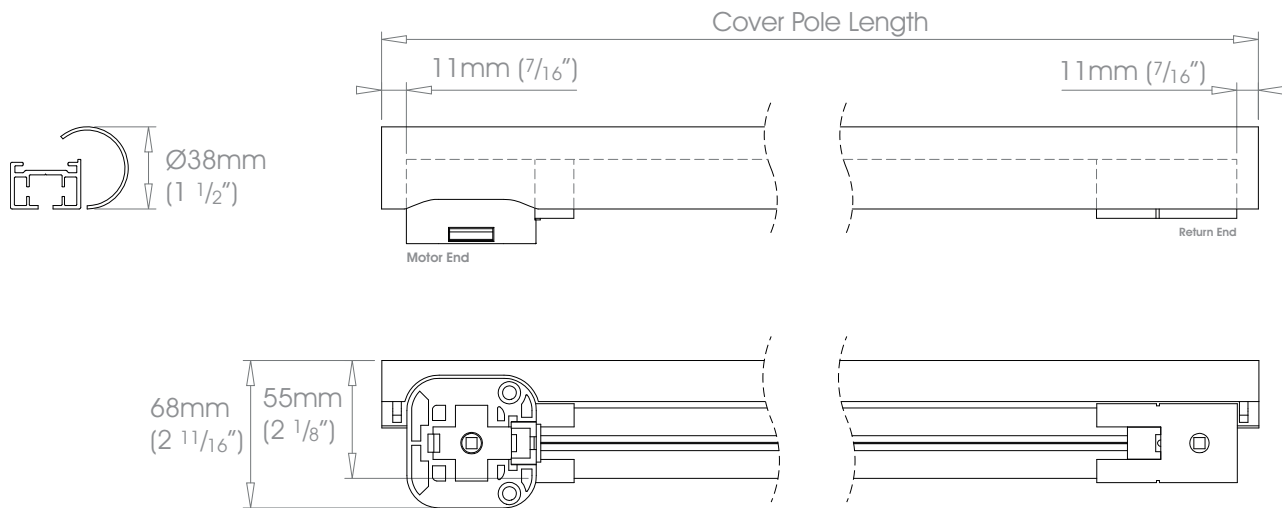




⚠ Track will be finished in a complementary colour to match the cover pole. Please refer to the Specification Guide

- Finishes** Alabaster • Dusk • Slate • Flint • Barley • Dove • Millstone • Clay • Cocoa • Cloud • Ceramic • Bone • Cream • Parchment • Mineral • Damson Moss • Smoke • Frame Grey • Raven **Coat Options** @Matte / @Satin / @Gloss | Platinum • Champagne • Gold • Cognac • Gunmetal Antique Brass • Pewter • Bronzed **Coat Options** @Satin / @Gloss | Dawn • Mist • Sunset • Night Sky • Midnight Brushed Stainless | Polished • Natural Steel • Brass Toned • Matte Brass Toned • Oil Rubbed • Waxed
- Premium Finishes** Can be specified at twice the cost of the standard finish
Brushed Brass Tint • Brushed Bronze Tint • Brushed Carbon Tint | Old Silver • Old Pewter • Old Brass • Light Bronze • Bronze Art

38mm (1 1/2") - Left Hand Motor



Gliding Options Glider • Wave® Glider • Roller • Wave® Roller

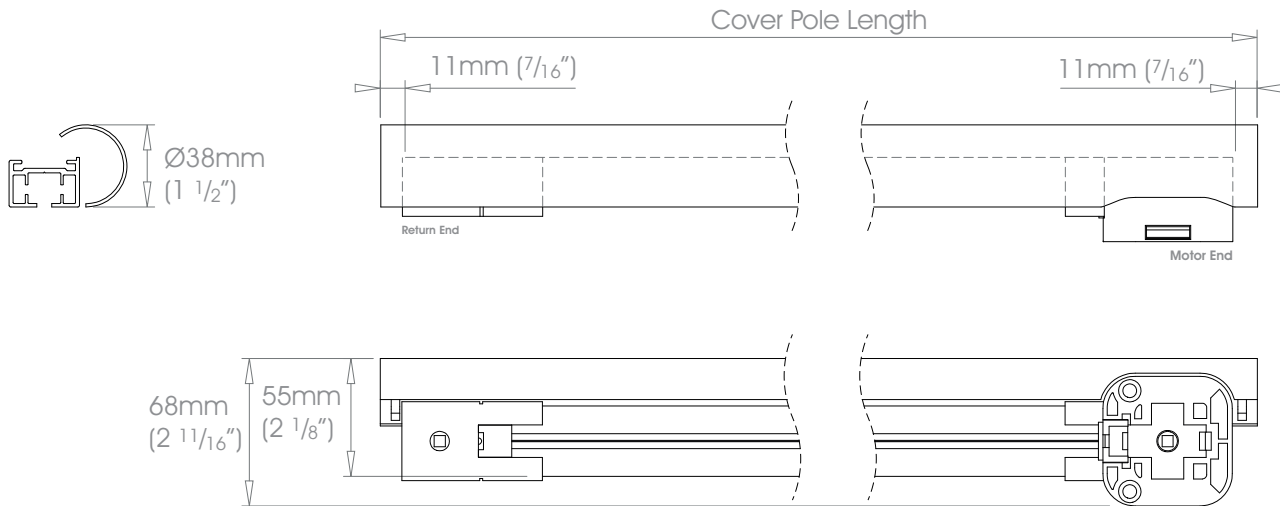




⚠ Track will be finished in a complementary colour to match the cover pole. Please refer to the Specification Guide

- Finishes** Alabaster • Dusk • Slate • Flint • Barley • Dove • Millstone • Clay • Cocoa • Cloud • Ceramic • Bone • Cream • Parchment • Mineral • Damson Moss • Smoke • Frame Grey • Raven **Coat Options** @Matte / @Satin / @Gloss | Platinum • Champagne • Gold • Cognac • Gunmetal Antique Brass • Pewter • Bronzed **Coat Options** @Satin / @Gloss | Dawn • Mist • Sunset • Night Sky • Midnight Brushed Stainless | Polished • Natural Steel • Brass Toned • Matte Brass Toned • Oil Rubbed • Waxed
- Premium Finishes** Can be specified at twice the cost of the standard finish
Brushed Brass Tint • Brushed Bronze Tint • Brushed Carbon Tint | Old Silver • Old Pewter • Old Brass • Light Bronze • Bronze Art

38mm (1 1/2") - Right Hand Motor



Gliding Options Glider • Wave® Glider • Roller • Wave® Roller

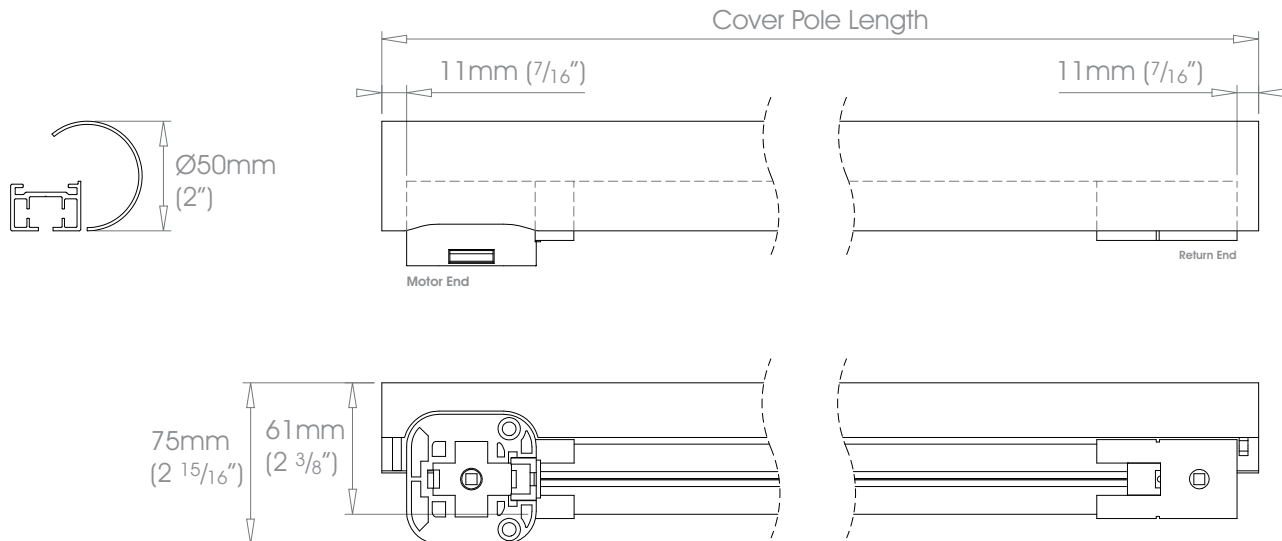




! Track will be finished in a complementary colour to match the cover pole. Please refer to the Specification Guide

- Finishes** Alabaster • Dusk • Slate • Flint • Barley • Dove • Millstone • Clay • Cocoa • Cloud • Ceramic • Bone • Cream • Parchment • Mineral • Damson Moss • Smoke • Frame Grey • Raven **Coat Options** @Matte / @Satin / @Gloss | Platinum • Champagne • Gold • Cognac • Gunmetal
 Antique Brass • Pewter • Bronzed **Coat Options** @Satin / @Gloss | Dawn • Mist • Sunset • Night Sky • Midnight
 Brushed Stainless | Polished • Natural Steel • Brass Toned • Matte Brass Toned • Oil Rubbed • Waxed
- Premium Finishes** Can be specified at twice the cost of the standard finish
 Brushed Brass Tint • Brushed Bronze Tint • Brushed Carbon Tint | Old Silver • Old Pewter • Old Brass • Light Bronze • Bronze Art

50mm (2") - Left Hand Motor



Gliding Options Glider • Wave® Glider • Roller • Wave® Roller

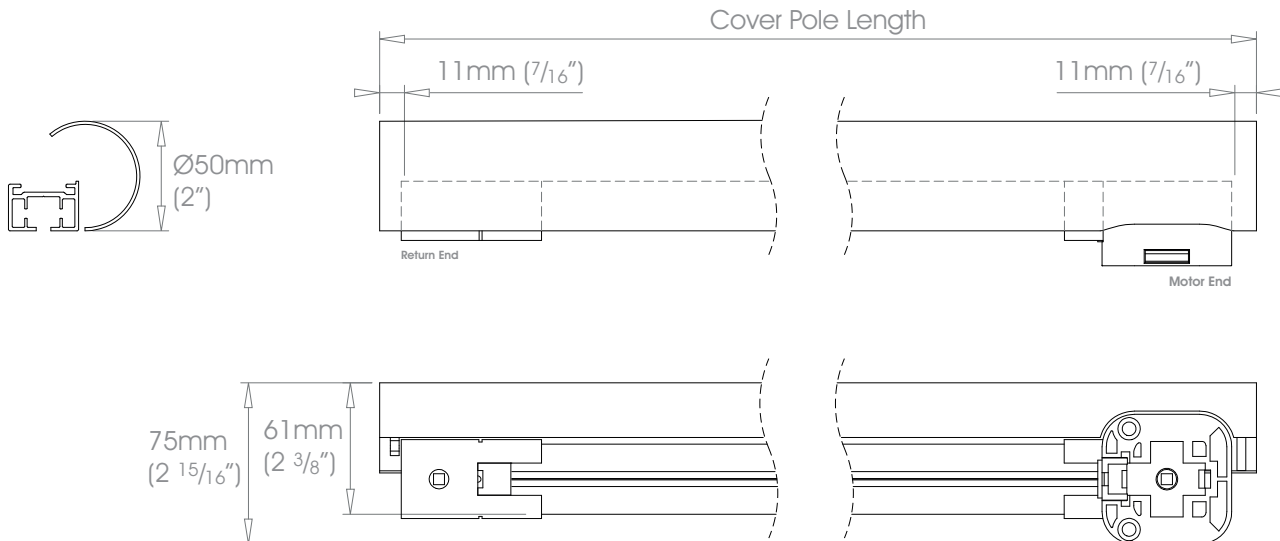




⚠ Track will be finished in a complementary colour to match the cover pole. Please refer to the Specification Guide

- Finishes** Alabaster • Dusk • Slate • Flint • Barley • Dove • Millstone • Clay • Cocoa • Cloud • Ceramic • Bone • Cream • Parchment • Mineral • Damson Moss • Smoke • Frame Grey • Raven **Coat Options** @Matte / @Satin / @Gloss | Platinum • Champagne • Gold • Cognac • Gunmetal Antique Brass • Pewter • Bronzed **Coat Options** @Satin / @Gloss | Dawn • Mist • Sunset • Night Sky • Midnight Brushed Stainless | Polished • Natural Steel • Brass Toned • Matte Brass Toned • Oil Rubbed • Waxed
- Premium Finishes** Can be specified at twice the cost of the standard finish
Brushed Brass Tint • Brushed Bronze Tint • Brushed Carbon Tint | Old Silver • Old Pewter • Old Brass • Light Bronze • Bronze Art

50mm (2") - Right Hand Motor



Gliding Options Glider • Wave® Glider • Roller • Wave® Roller

