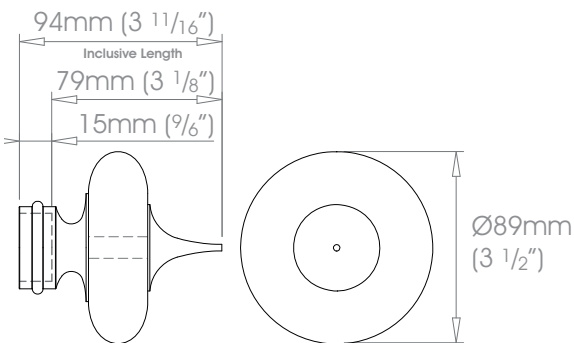




Crystal finials should not be positioned in direct sunlight, and are not suitable for use in conservatories

- Finishes** Alabaster • Dusk • Slate • Flint • Barley • Dove • Millstone • Clay • Cocoa • Cloud • Ceramic • Bone • Cream • Parchment • Mineral • Damson Moss • Smoke • Frame Grey • Raven **Coat Options** @Matte / @Satin / @Gloss | Platinum • Champagne • Gold • Cognac • Gunmetal  
 Antique Brass • Pewter • Bronzed **Coat Options** @Satin / @Gloss | Natural Silver | Dawn • Mist • Sunset • Night Sky • Midnight
- Premium Finishes** Can be specified at twice the cost of the standard finish  
 Polished Nickel • Polished Brass Plate | Old Silver • Old Pewter • Old Brass • Light Bronze • Bronze Art

### Round $\varnothing 30\text{mm}$ ( $1\frac{3}{16}$ "



### Round $\varnothing 50\text{mm}$ (2"

