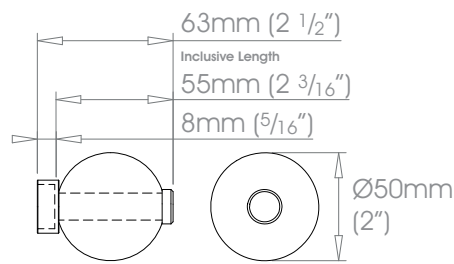




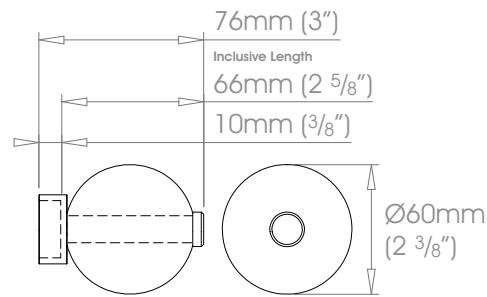
Crystal finials should not be positioned in direct sunlight, and are not suitable for use in conservatories

- Finishes** Alabaster • Dusk • Slate • Flint • Barley • Dove • Millstone • Clay • Cocoa • Cloud • Ceramic • Bone • Cream • Parchment • Mineral • Damson Moss • Smoke • Frame Grey • Raven **Coat Options** @Matte / @Satin / @Gloss | Platinum • Champagne • Gold • Cognac • Gunmetal  
 Antique Brass • Pewter • Bronzed **Coat Options** @Satin / @Gloss | Dawn • Mist • Sunset • Night Sky • Midnight | Brushed Stainless • Natural Silver
- Premium Finishes** Can be specified at twice the cost of the standard finish  
 Brushed Brass Tint • Brushed Bronze Tint • Brushed Carbon Tint | Polished Nickel • Polished Brass Plate | Old Silver • Old Pewter • Old Brass  
 Light Bronze • Bronze Art

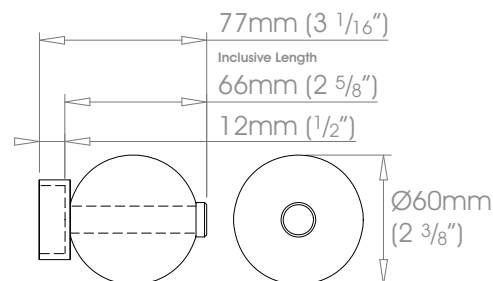
19mm (3/4")



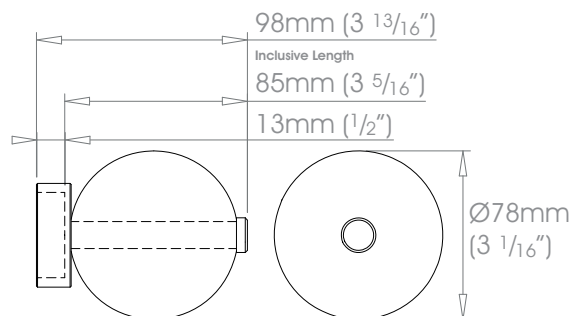
25mm (1")



30mm (1 3/16")



38mm (1 1/2")





Crystal finials should not be positioned in direct sunlight, and are not suitable for use in conservatories

- Finishes** Alabaster • Dusk • Slate • Flint • Barley • Dove • Millstone • Clay • Cocoa • Cloud • Ceramic • Bone • Cream • Parchment • Mineral • Damson Moss • Smoke • Frame Grey • Raven **Coat Options** @Matte / @Satin / @Gloss | Platinum • Champagne • Gold • Cognac • Gunmetal  
 Antique Brass • Pewter • Bronzed **Coat Options** @Satin / @Gloss | Dawn • Mist • Sunset • Night Sky • Midnight | Brushed Stainless • Natural Silver
- Premium Finishes** Can be specified at twice the cost of the standard finish  
 Brushed Brass Tint • Brushed Bronze Tint • Brushed Carbon Tint | Polished Nickel • Polished Brass Plate | Old Silver • Old Pewter • Old Brass  
 Light Bronze • Bronze Art

50mm (2")

