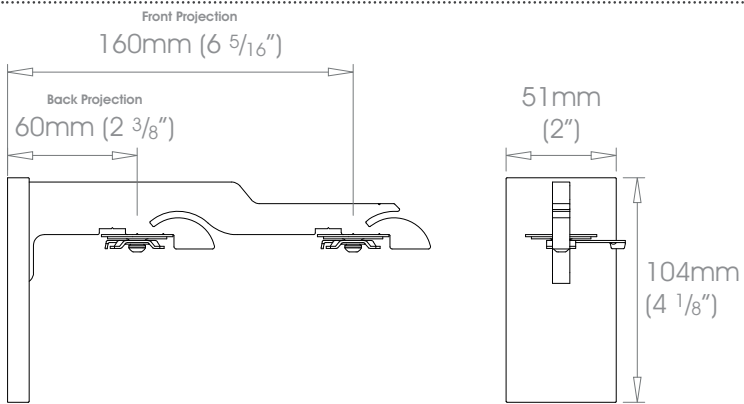


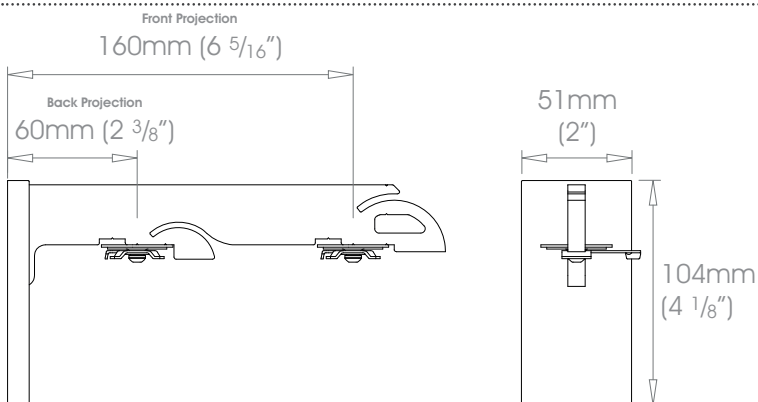
⚠ Brackets will be supplied with the relevant track fixing, which may differ to those shown in the diagrams

| | | |
|--|--------------------------------|---|
| FINISHES Coat Options Matte ☉ Satin ☉ Gloss ☉ | Stainless Shades ☉☉☉ | Brushed Stainless Cloud • Alabaster • Bone • Barley • Dusk • Ceramic • Cream • Mineral • Dove • Parchment • Oatmeal • Millstone • Stone • Clay • Grey Moss Slate • Cocoa • Moss • Damson • Smoke • Frame Grey • Lead • Earth • Burnt Ash • Flint • Charcoal • Raven |
| | Metallics ☉☉ | Platinum • Champagne • Gold • Cognac • Antique Brass • Gunmetal • Pewter • Bronzed |
| | Anodic Metals | Twilight • Glow • Sky • Sunrise • Storm • Glimmer • Sunset • Night Sky • Midnight |
| | Specialist | Can be specified at twice the cost of the standard finish - Brushed Brass Tint • Brushed Bronze Tint • Brushed Carbon Tint |
| | Custom | Can be specified at twice the cost of the standard finish plus a custom fee - Old Brass • Light Bronze • Bronze Art See Specification Guide for details |

Front 38mm (1 1/2") - Back 38mm (1 1/2")



Front 50mm (2") - Back 38mm (1 1/2")

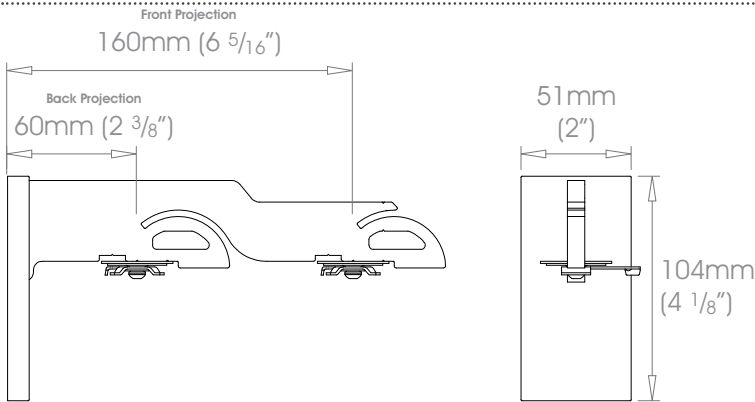




⚠ Brackets will be supplied with the relevant track fixing, which may differ to those shown in the diagrams

| | | |
|--|----------------------------|--|
| FINISHES Coat Options Matte Satin Gloss | Stainless Shades | Brushed Stainless Cloud • Alabaster • Bone • Barley • Dusk • Ceramic • Cream • Mineral • Dove • Parchment • Oatmeal • Millstone • Stone • Clay • Grey Moss Slate • Cocoa • Moss • Damson • Smoke • Frame Grey • Lead • Earth • Burnt Ash • Flint • Charcoal • Raven |
| | Metallics | Platinum • Champagne • Gold • Cognac • Antique Brass • Gunmetal • Pewter • Bronzed |
| | Anodic Metals | Twilight • Glow • Sky • Sunrise • Storm • Glimmer • Sunset • Night Sky • Midnight |
| | Specialist | Can be specified at twice the cost of the standard finish - Brushed Brass Tint • Brushed Bronze Tint • Brushed Carbon Tint Can be specified at twice the cost of the standard finish plus a custom fee - Old Brass • Light Bronze • Bronze Art See Specification Guide for details |
| | Custom | See Specification Guide for details |

Front 50mm (2") - Back 50mm (2")

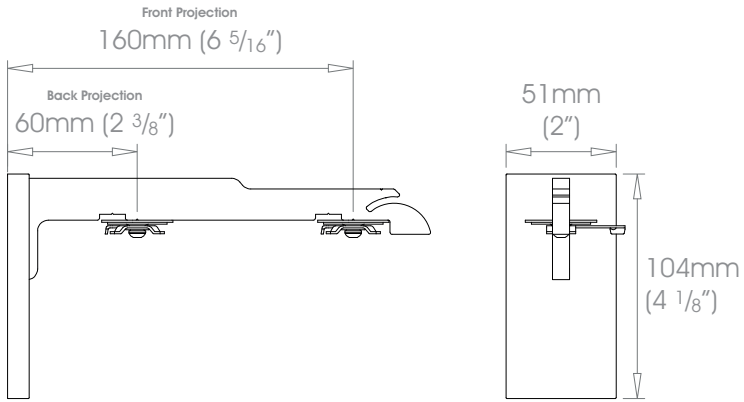




⚠ Brackets will be supplied with the relevant track fixing, which may differ to those shown in the diagrams

| | | |
|--|--------------------------------|---|
| FINISHES Coat Options Matte ☉ Satin ☉ Gloss ☉ | Stainless Shades ☉☉☉ | Brushed Stainless Cloud • Alabaster • Bone • Barley • Dusk • Ceramic • Cream • Mineral • Dove • Parchment • Oatmeal • Millstone • Stone • Clay • Grey Moss Slate • Cocoa • Moss • Damson • Smoke • Frame Grey • Lead • Earth • Burnt Ash • Flint • Charcoal • Raven |
| | Metallics ☉☉ | Platinum • Champagne • Gold • Cognac • Antique Brass • Gunmetal • Pewter • Bronzed |
| | Anodic Metals | Twilight • Glow • Sky • Sunrise • Storm • Glimmer • Sunset • Night Sky • Midnight |
| | Specialist | Can be specified at twice the cost of the standard finish - Brushed Brass Tint • Brushed Bronze Tint • Brushed Carbon Tint |
| | Custom | Can be specified at twice the cost of the standard finish plus a custom fee - Old Brass • Light Bronze • Bronze Art See Specification Guide for details |

Front 38mm (1 1/2") - Back Uncovered



Front 50mm (2") - Back Uncovered

