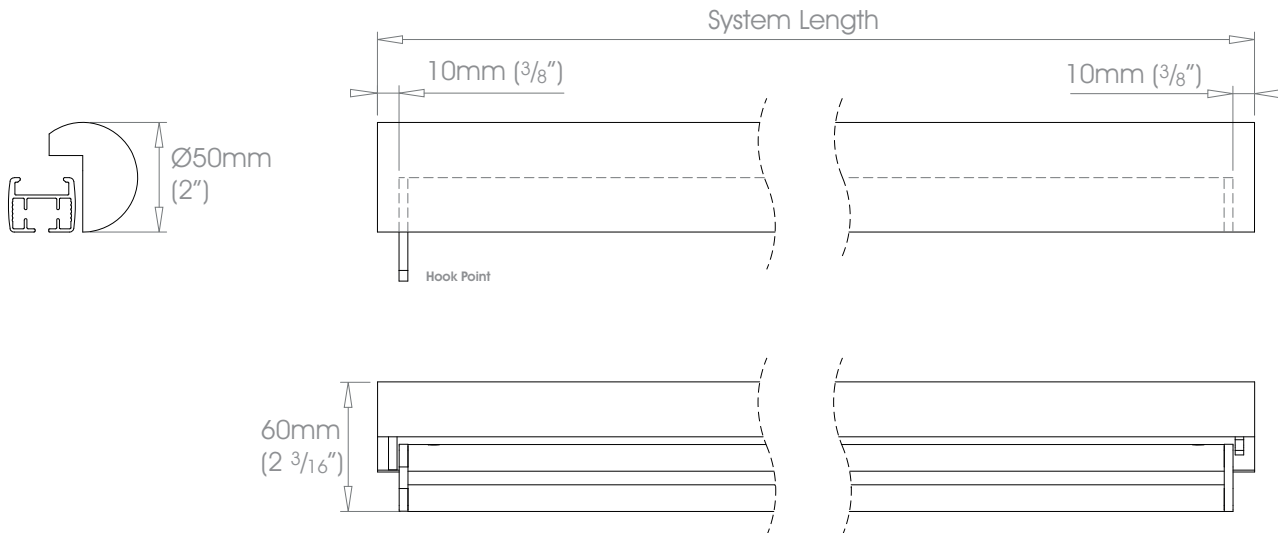




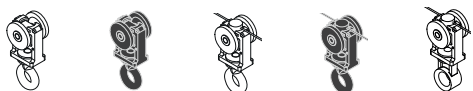
⚠ Track will be finished in a complementary colour to match the cover pole. Please refer to the Specification Guide.

FINISHES Wood Finishes - Ash • Black Ash
 Coat Options Premium Wood Finishes - Can be specified at +50% the cost of the standard finish - Cherry • Oak • Walnut
 Matte ☉
 Satin ☉
 Gloss ☉

50mm (2") - Single Stack →



Gliding Options Roller • Ripple Roller • Ripplefold® Roller

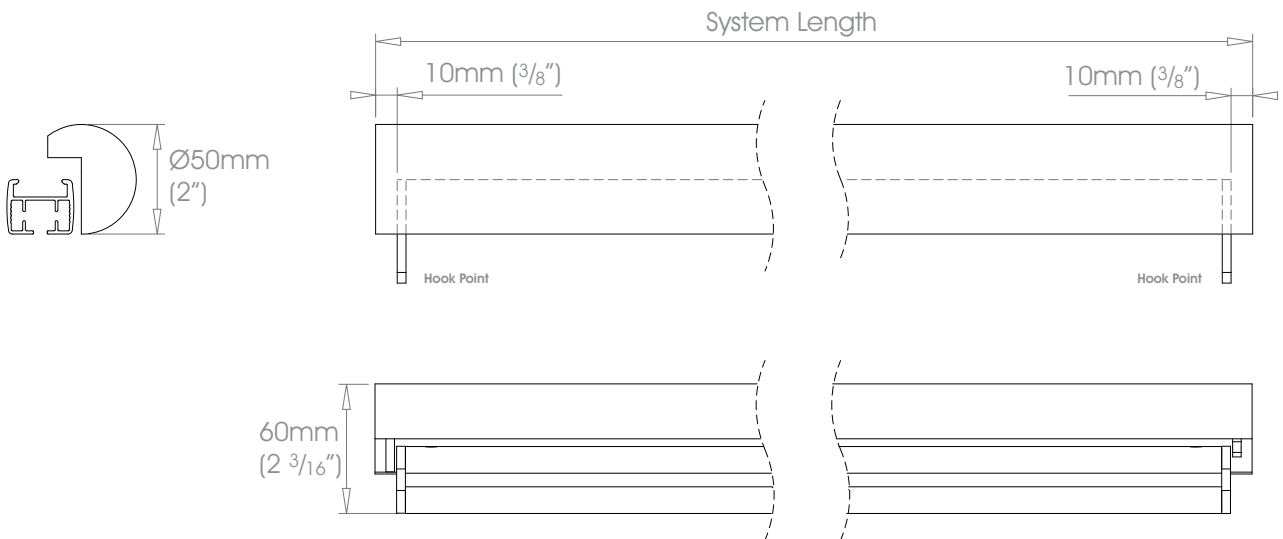




! Track will be finished in a complementary colour to match the cover pole. Please refer to the Specification Guide.

FINISHES Wood Finishes - Ash • Black Ash
 Coat Options Premium Wood Finishes - Can be specified at +50% the cost of the standard finish - Cherry • Oak • Walnut
 Matte ☉
 Satin ☉
 Gloss ☉

50mm (2") - Pair Stack →←



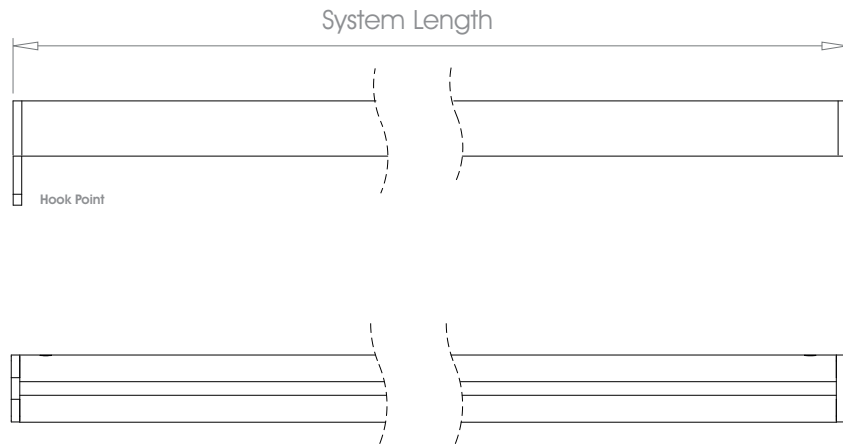
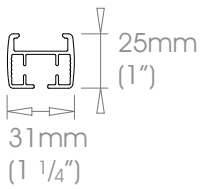
Gliding Options Roller • Ripple Roller • Ripplefold® Roller



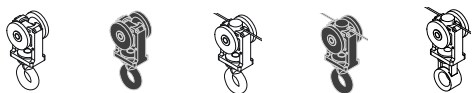


! **ONLY FOR USE AS REAR TRACK OPTION ON DOUBLE SYSTEMS.**
 Track will be finished in a complementary colour to match the cover pole. Please refer to the Specification Guide.

Single Stack →



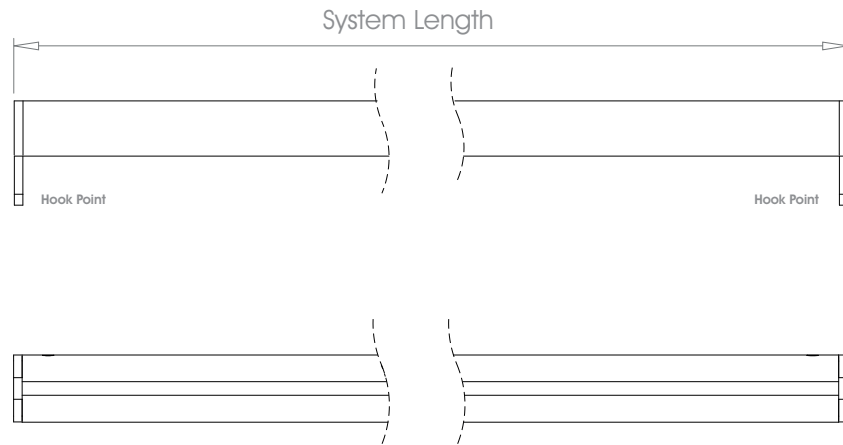
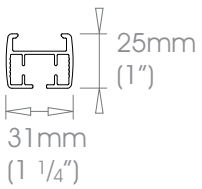
Gliding Options Roller • Ripple Roller • Ripplefold® Roller





! **ONLY FOR USE AS REAR TRACK OPTION ON DOUBLE SYSTEMS.**
 Track will be finished in a complementary colour to match the cover pole. Please refer to the Specification Guide.

Pair Stack →←



Gliding Options Roller • Ripple Roller • Ripplefold® Roller

