



DRIVE(2)

THE **BRADLEY**
COLLECTION

SPECIFICATION GUIDE

SPECIFICATION GUIDE

This specification guide was designed to outline the main considerations that need to be made when quoting or ordering a system.

Please use this alongside the Electric Technical Guides.

There is a guide for Silent Gliss • Somfy • Lutron system options which deal with specific details of those systems.

If any questions arise please call your local sales representative or contact The Bradley Collection directly.



Electrical installations must be carried out by qualified professionals. In line with the relevant wiring diagrams and conform to local regulations.

System Information Page 3-36

POLES Page 4

DRIVE OPTIONS Page 5

JOINTING SYSTEM Page 6

BAYS & MINIMUM WALL SIZES Page 7

BRACKET ALIGNMENT Page 8

CUSTOM BRACKETS Page 9

CURTAIN DROPS Page 10-11

SYSTEM CONFIGURATION Page 12-16

POLE CONFIGURATION Page 17-22

CURTAIN STACKS Page 23

GLIDING OPTIONS & CURTAIN HEADINGS Page 24-26

CURTAIN WEIGHTS Page 27

MAXIMUM WEIGHTS Page 28-30

OVERLAP ARMS Page 31-36

Finishes Page 37-41

Finials Page 42-52

Poles Page 53-65

Brackets Page 66-75

Poles are cut, bent and curved to suit individual requirements. When calculating the length of your pole, remember to allow a tolerance beyond the width of the frame for the curtains to draw back to the edge of the window.

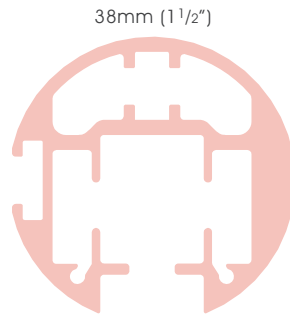
Maximum pole length in one piece is 4.0m (157")[Ⓢ].

Poles exceeding the maximum length will be cut into equal parts unless otherwise specified.

Joining system will be supplied. (See page 6) Brackets should be placed at every join.

Ø38mm (1½")

The overall pole cost is rounded up in 300mm (1ft) increments.



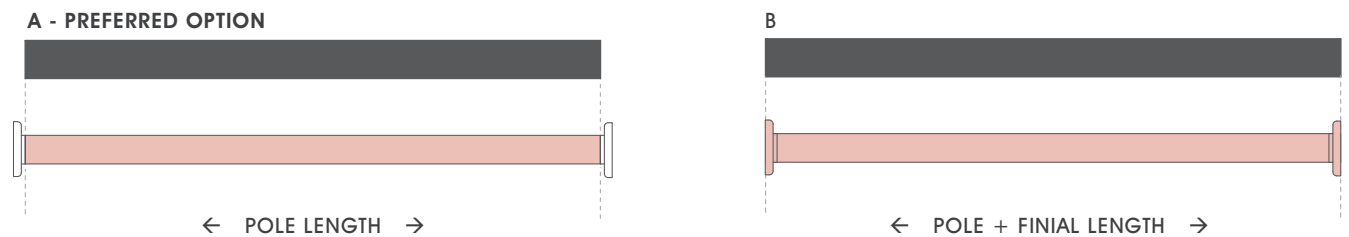
Size	Maximum distance between brackets	Maximum length in one piece	Standard Bend radius
Ø38mm (1½")	1000mm (39")	4000mm (157") [Ⓢ]	R400mm (16")

[Ⓢ] Supplied in sections - Section lengths over 3.0m (118") will incur a handling charge

PROVIDING POLE LENGTHS

Pole lengths can be specified in two ways.

OPTION A is our preferred method. This covers Pole length only. **OPTION B** combines pole and finial lengths.



[Ⓢ] Supplied in sections - Section lengths over 3.0m (118") will incur a handling charge

SELECT TRACK TYPE & MOTOR

Specify your DRIVE from a choice from the leading motor brands. This provides power and control options ranging from standalone battery powered systems to fully integrated home automation solutions.



For double configurations a second DRIVE system can be specified.

It is also possible to specify a motor to the main curtain and a manual pole to the rear. Simply select DRIVE for the front pole and either GLIDE Ø30mm (1³/₁₆"") or 38mm (1¹/₂"") for the rear.

LUTRON



1 MOTOR OPTIONS

- ⚡ D105
- ⚡ D145
- ⚡ D175

Radio dongle required for use to wireless control options

2 CONTROL OPTIONS

Remote Control

Single hand held remote control option available.

App Control - RA2 Select

The system can be controlled with the Lutron app or through smart devices & Amazon Alexa.

Automation Systems

The system can also be integrated with all major home control systems.^(A)

SOMFY



1 MOTOR OPTIONS

- ⚡ Glydea Ultra 60e WT
- ⚡ Glydea Ultra 60e RTS
- ⚡ Glydea Ultra 60e ZIGBEE 3.0
- 🔋 Irismo 45 WF RTS
- ⚡ Movelite 35 WT
- ⚡ Movelite 35 RTS
- 🔋 Movelite 35 WF RTS^(C)

RTS required for use to wireless control options

2 CONTROL OPTIONS

Remote Control

Single channel & Multi-channel hand held remote control options available.

App Control - Tahoma

The system can be controlled with the Somfy Tahoma app or through smart devices & Amazon Alexa.

Automation Systems

The system can also be integrated with all major home control systems.^(A)

SILENT GLISS



1 MOTOR OPTIONS

- ⚡ 9060 Motor
- ⚡ 9060 Motor with radio module

Radio module required for use to wireless control options

2 CONTROL OPTIONS

Remote Control

Single & Multi-channel hand held remote control options available.

App Control - Move

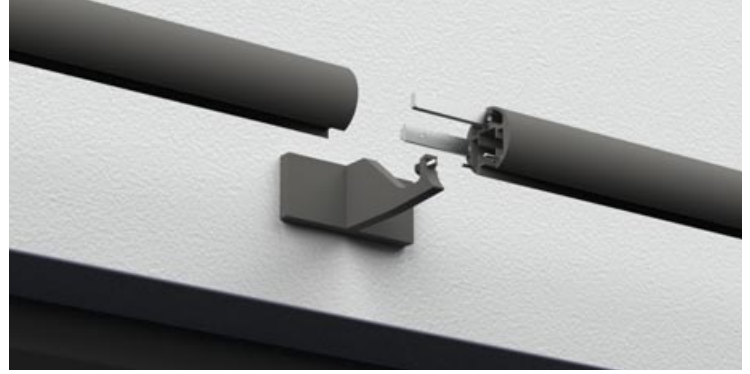
The system can be controlled with the Silent Gliss Move^(M) app to allow control on smart devices.

Automation Systems

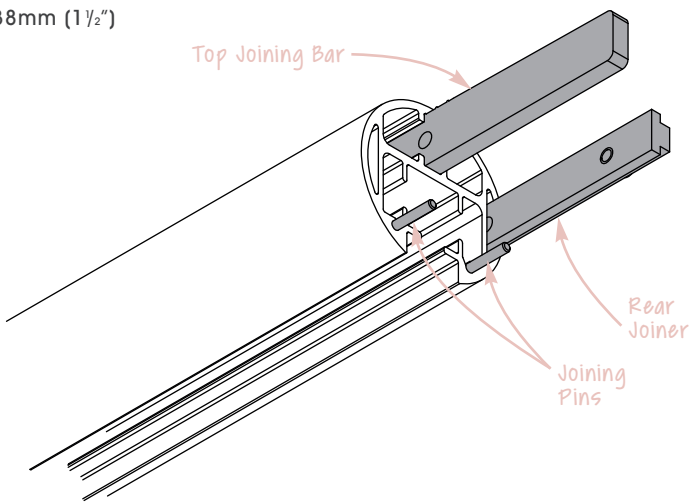
The system can also be integrated with all major home control systems, and via Silent Gliss Smart^(S) system allowing two way integration with all major home control systems.^(A)

Drive's jointing system ensures perfect alignment between pole sections.

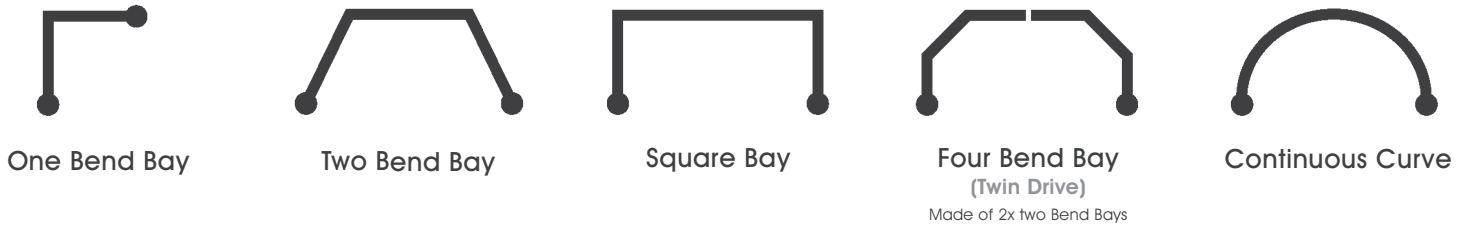
Joints must always be supported by a bracket.



38mm (1 1/2")



Bradley's bespoke service allows poles to be specifically made for unique bay windows and complex long span installations. Poles can be shaped to create a system that follows contours.



Return bends are not available.

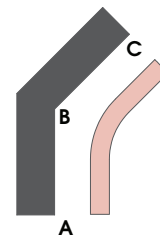
MINIMUM WALL SIZES

The table below is a guide for the minimum wall size required.

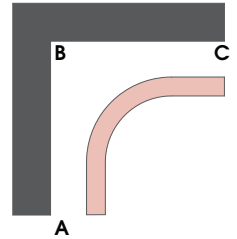
The standard bend radius shown is the minimum radius achievable.

Note: changes in angles and projections will alter the minimum wall sizes required

135° Bend Angles



90° Bend Angles



Diameter	Wall A - B	Wall B - C	Angle at B	Standard Bend Radius	Projection
∅38mm (1½")	408mm (16")	367mm (14 ⁷ / ₁₆ ")	135°	400mm (16")	100mm (4")
∅38mm (1½")	700mm (27 ⁹ / ₁₆ ")	660mm (26")	90°	400mm (16")	100mm (4")

BRADLEY BAY CHECKER +

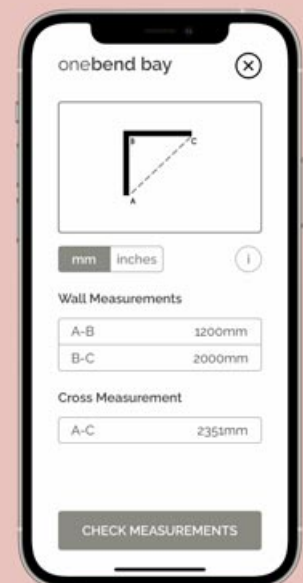
Bay Checker + is part of our Digital Toolbox, allowing you to check your measurement for bays and curves whilst onsite, as well as storing straight window dimensions for your projects.

Unlimited measurements may be saved locally to your device or shared to your colleagues.

Available as a free download for iOS or Android,

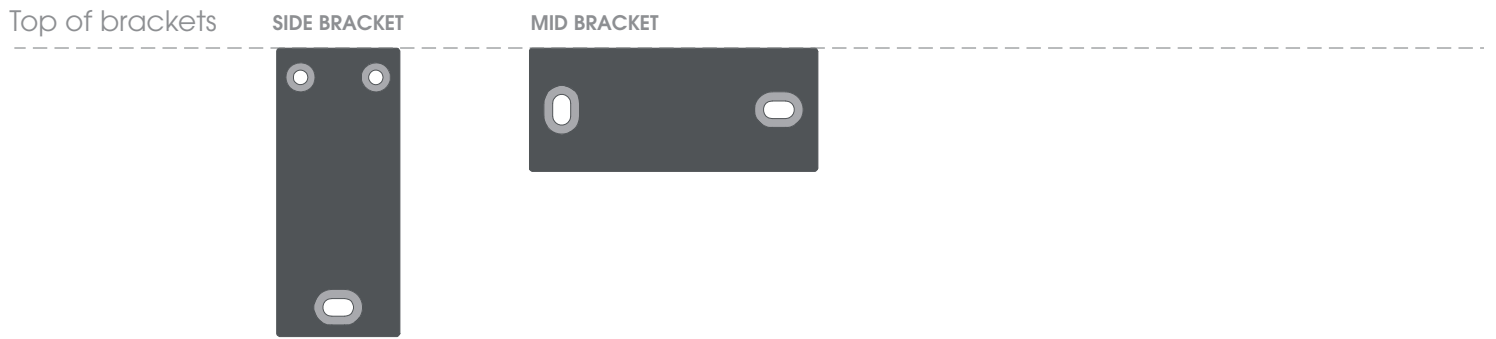
For more information on Bay Checker + and latest enhancements to our Digital Toolbox visit

www.bradleycollection.com/digital-toolbox/

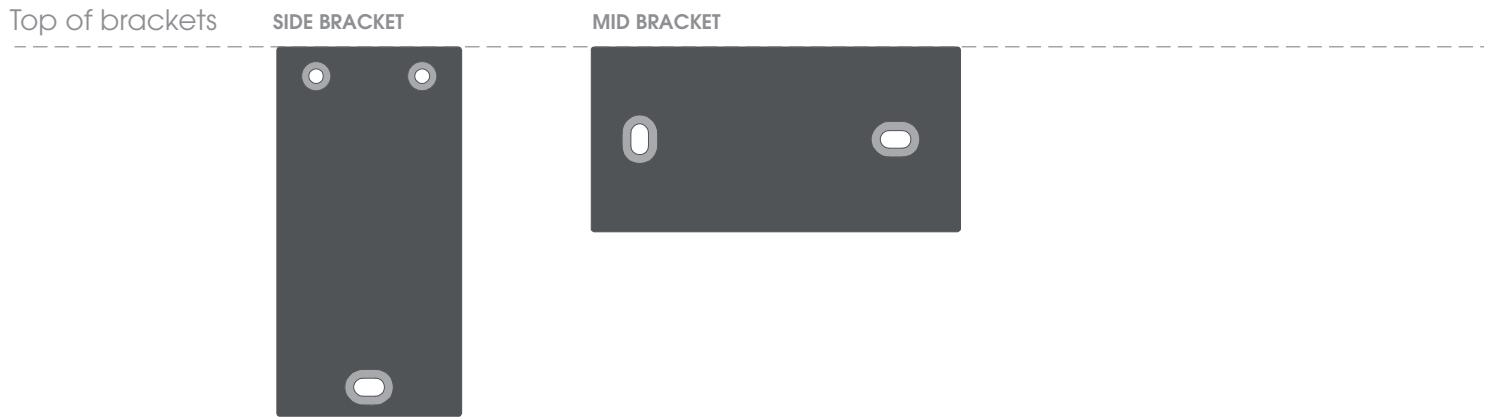


The information below shows the relationship between the bracket backplate. this will enable easy alignment during installation.

SINGLE SYSTEM - $\varnothing 38\text{mm}$ (1½")



DOUBLE SYSTEMS



Drive can be customised to suit virtually any window. For simple projection changes between the minimums and maximums listed above, brackets are charged at double their standard cost. For all other customisations an additional up-charge and custom fee is applied per drawing.



Custom Projection

Specify the exact projection needed.



Custom Fixing Plate

Relevant where space is restricted or weight is a concern.



Uplift

Helps negotiate cornice and similar architectural features.



Ceiling Brackets

Specify exact projection required from ceiling.



Angled Brackets

The solution for tight and awkward locations.

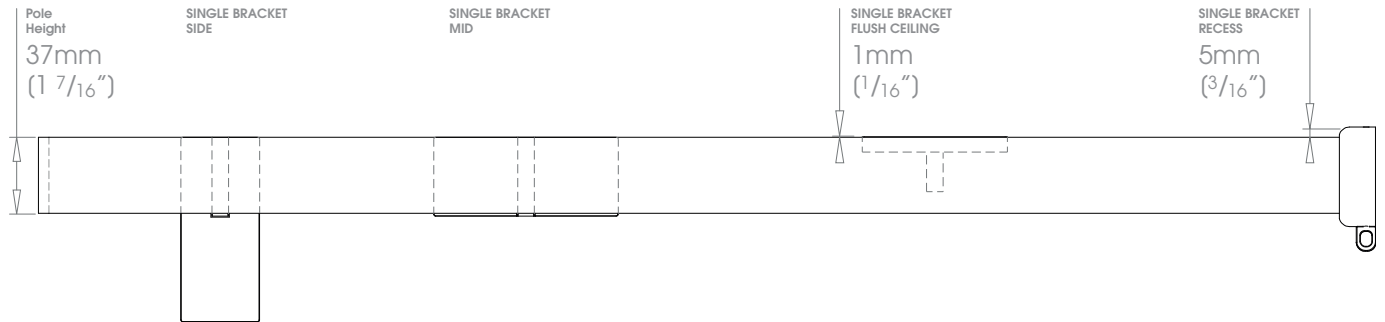
MINIMUM & MAXIMUM BRACKET PROJECTIONS

Dimensions outside of these stated min/max projections may still be possible but will generate a design charge per drawing. See pricelist for details

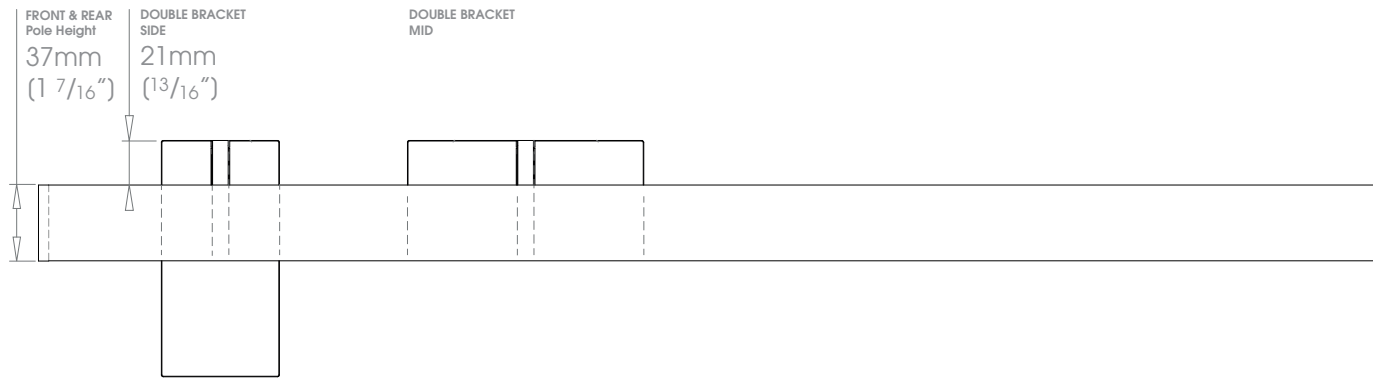
Diameter	Type	Standard Projection(s)	Minimum Special Projection	Maximum Special Projection
∅38mm (1½")	Side	100mm (4")	83mm (3¼")	200mm (8")
∅38mm (1½")	Mid	100mm (4")	83mm (3¼")	200mm (8")

The information below shows the relationship between the pole, brackets and gliders/rollers. This will enable the correlation between pole heights and curtain drops to be easily calculated.

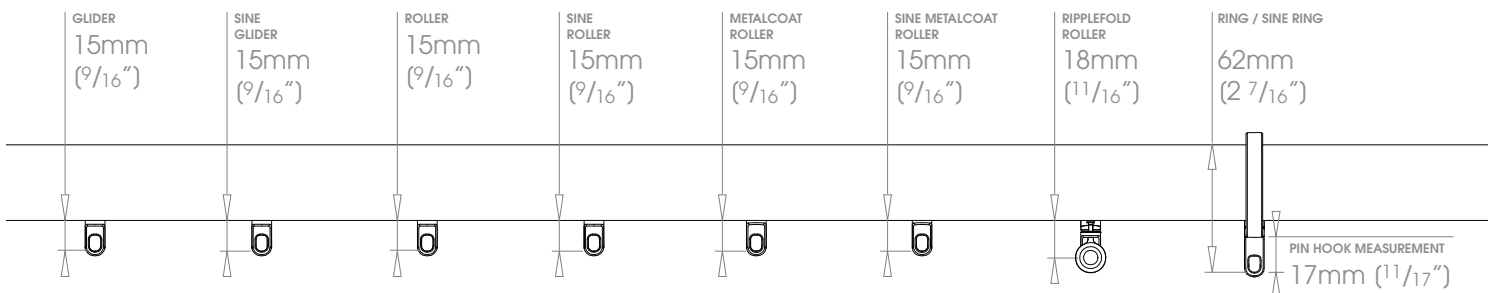
SINGLE SYSTEM - $\varnothing 38\text{mm}$ (1 1/2")



DOUBLE SYSTEM - FRONT $\varnothing 38\text{mm}$ (1 1/2") BACK $\varnothing 38\text{mm}$ (1 1/2")

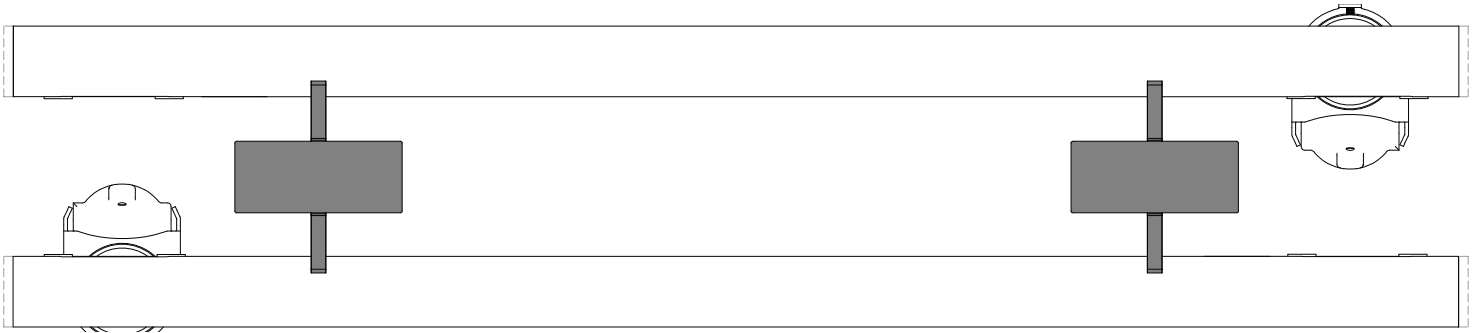


PIN HOOK MEASUREMENT *From bottom of the track*

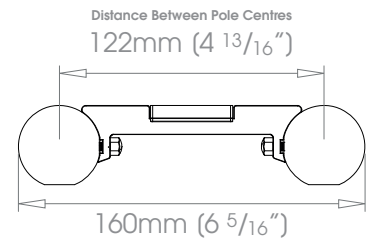
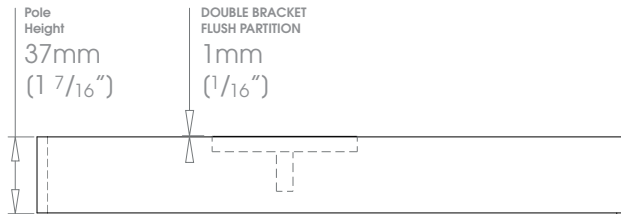


The information below shows the relationship between the pole, brackets and gliders/rollers.
 This will enable the correlation between pole heights and curtain drops to be easily calculated.

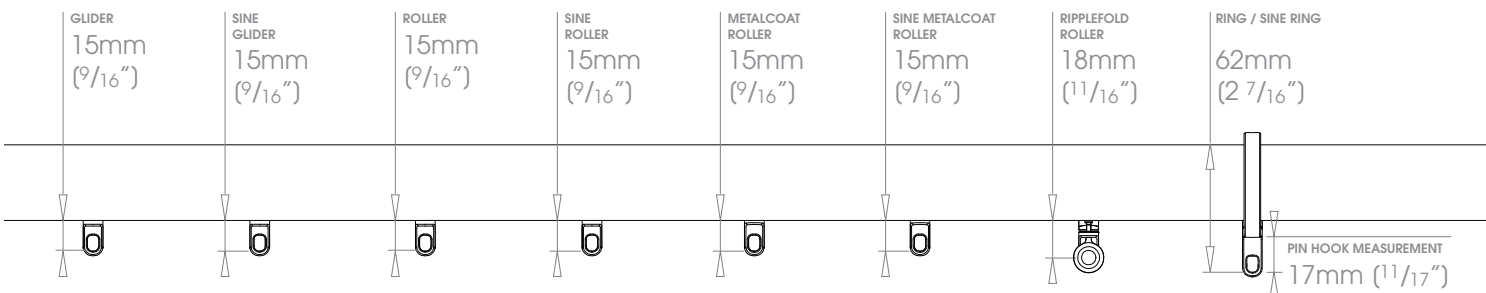
⚠ Partition Brackets can not be used around bay windows
 Motors must be positioned at opposite ends, as show below.



DOUBLE PARTITION SYSTEM - FRONT $\varnothing 38\text{mm}$ ($1\frac{1}{2}''$) BACK $\varnothing 38\text{mm}$ ($1\frac{1}{2}''$)



PIN HOOK MEASUREMENT *From bottom of the track*



CONFIGURATION

A looped driving belt runs around the motor and along the pole. This is attached to the pilot header which in turn is attached to the lead glider/roller.

SINGLE DRIVE - Single Stack ▶

On single stack systems the motor is always positioned on the stacking side. Allowing the motor to be hidden behind the curtain.



SINGLE DRIVE - Pair Stack ▶◀

Pair stack curtains can have the motor positioned at either end of the pole. Curtains must be equal in length



TWIN DRIVE - Pair Stack ▶◀

Twin Drive systems have the motor positioned at both ends of the pole. And are pair stack curtains only which can be different in length



MOTOR POSITIONING

Mains powered motor's needs to be positioned on same side of the window as the power supply.

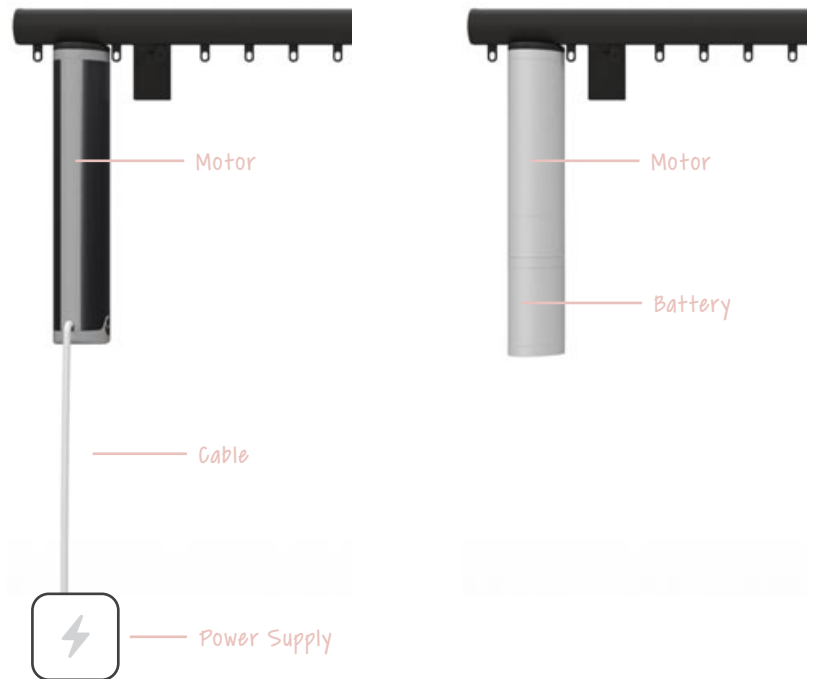
Wiring diagrams are available on request

Motorised systems are unsuitable for use outdoors or in damp environments such as shower rooms and bathrooms.

⚡ MAINS POWERED SYSTEMS

🔋 BATTERY POWERED SYSTEMS

SOMFY® MOVELITE & IRISMO ONLY



LEFT HAND MOTOR



RIGHT HAND MOTOR



TWIN MOTORS

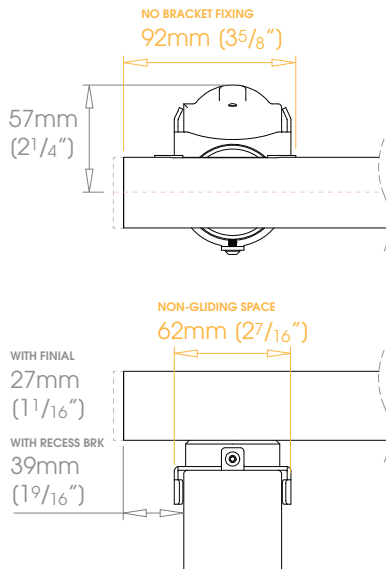


LUTRON CONFIGURATION

Motor adaptors are supplied to match system colour. Motors can be positioned either perpendicular or in-line with the track. A gliding option is assembled between the motor adaptor and the end of the pole, serving as a curtain hook point.

MOTOR END - PERPENDICULAR *Default*

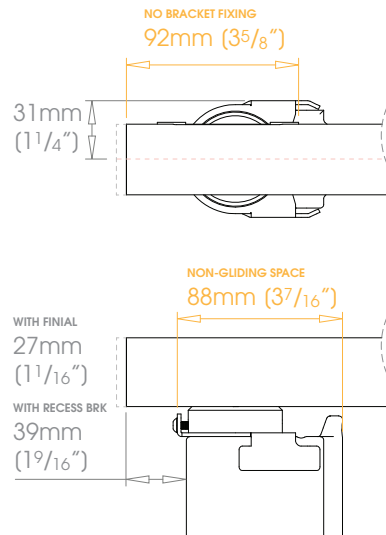
As standard motor position is set perpendicular to the pole. Minimising non functioning gliding area. Optimal for Sine and Ripplefold headings.



MOTOR END - IN-LINE *Option*

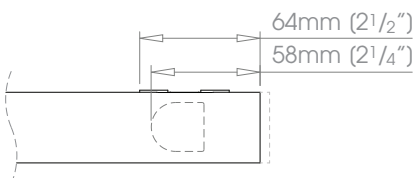
As an option motor position can be set in-line with the pole. Allowing for the system to sit closer to the wall where space is limited. This increases the non-functioning gliding area.

Not recommended for Sine and Ripplefold headings.



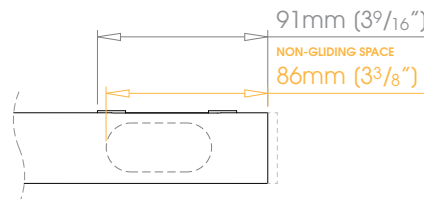
RETURN END - SINGLE STACK ▶

Single stack systems utilise a smaller return cartridge embedded in the profile. Master carriers are designed to allow curtains travel to the end of the system.



RETURN END - PAIR STACK ▶◀

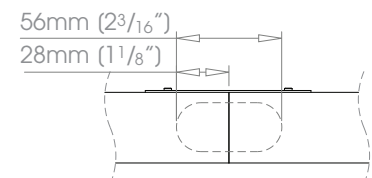
Pair stack systems use the standard return cartridge embedded within the profile. A gliding option is assembled between the cartridge and the end of the pole, serving as a curtain hook point.



TWIN END - PAIR STACK ▶◀

Twin systems are supplied in a minimum of two sections, with an internal return cartridge, in the end of each section.

Mid brackets can be fitted on join

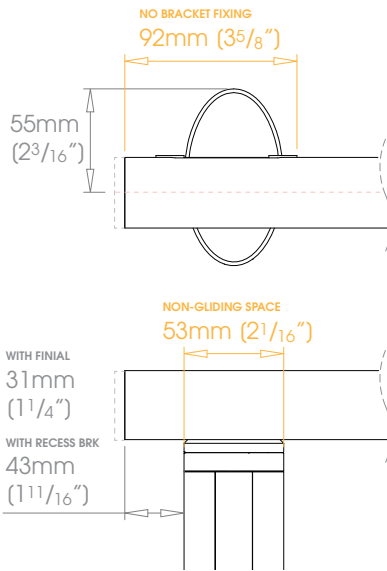


SOMFY CONFIGURATION

Motor adaptors are supplied to match system colour. Motors can be positioned either perpendicular or in-line with the track. A gliding option is assembled between the motor adaptor and the end of the pole, serving as a curtain hook point.

MOTOR END - PERPENDICULAR *Default*

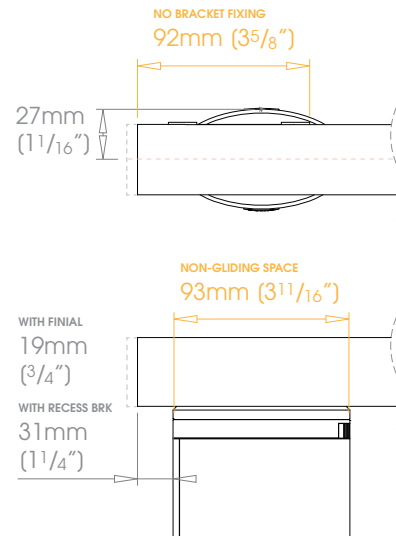
As standard motor position is set perpendicular to the pole. Minimising non functioning gliding area. Optimal for Sine and Ripplefold headings.



MOTOR END - IN-LINE *Option*

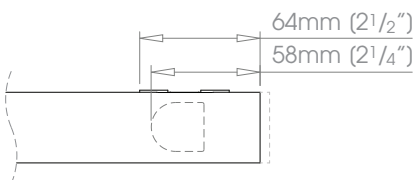
As an option the motor adaptor position can be set in-line with the pole. Allowing for the system to sit closer to the wall where space is limited. This increases the non-functioning gliding area.

Not recommended for Sine and Ripplefold headings.



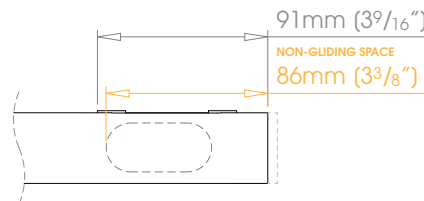
RETURN END - SINGLE STACK ▶

Single stack systems utilise a smaller return cartridge embedded in the profile. Master carriers are designed to allow curtains travel to the end of the system.



RETURN END - PAIR STACK ▶◀

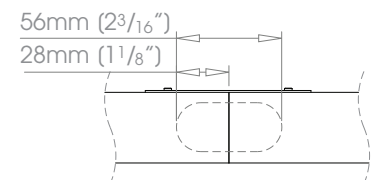
Pair stack systems use the standard return cartridge embedded within the profile. A gliding option is assembled between the cartridge and the end of the pole, serving as a curtain hook point.



TWIN END - PAIR STACK ▶◀

Twin systems are supplied in a minimum of two sections, with an internal return cartridge, in the end of each section.

Mid brackets can be fitted on join

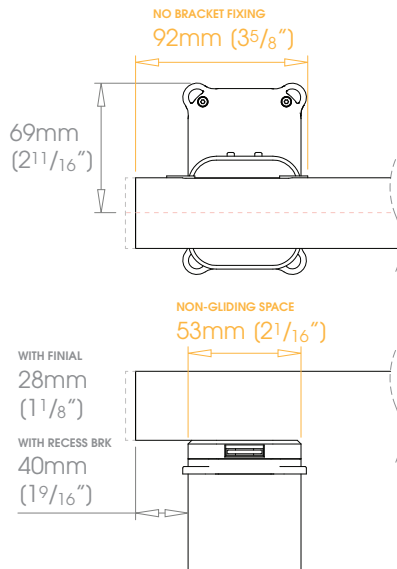


SILENT GLISS CONFIGURATION

Motor adaptors are supplied to match system colour. Motors can be positioned either perpendicular or in-line with the track. A gliding option is assembled between the motor adaptor and the end of the pole, serving as a curtain hook point.

MOTOR END - PERPENDICULAR *Default*

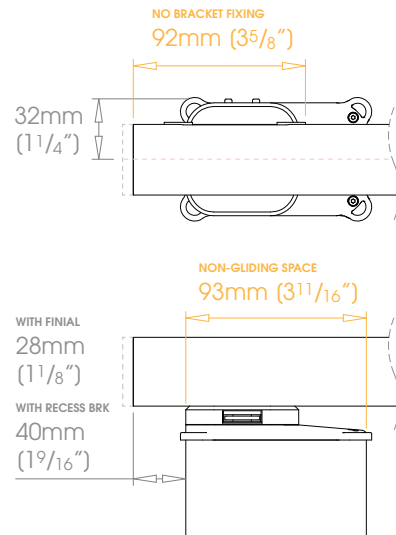
As standard motor position is set perpendicular to the pole. Minimising non functioning gliding area. Optimal for Sine and Ripplefold headings.



MOTOR END - IN-LINE *Option*

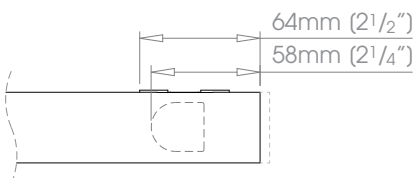
As an option motor position can be set in-line with the pole. Allowing for the system to sit closer to the wall where space is limited. This increases the non-functioning gliding area.

Not recommended for Sine and Ripplefold headings.



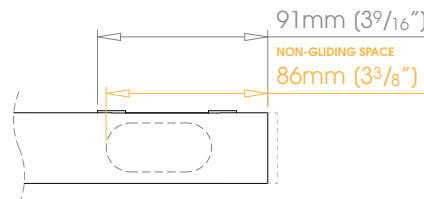
RETURN END - SINGLE STACK ▶

Single stack systems utilise a compact return cartridge embedded in the profile. Master carriers are designed to allow curtains travel to the end of the system.



RETURN END - PAIR STACK ▶◀

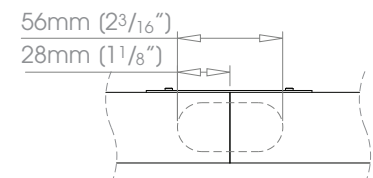
Pair stack systems use the standard return cartridge embedded within the profile. A gliding option is assembled between the cartridge and the end of the pole, serving as a curtain hook point.



TWIN END - PAIR STACK ▶◀

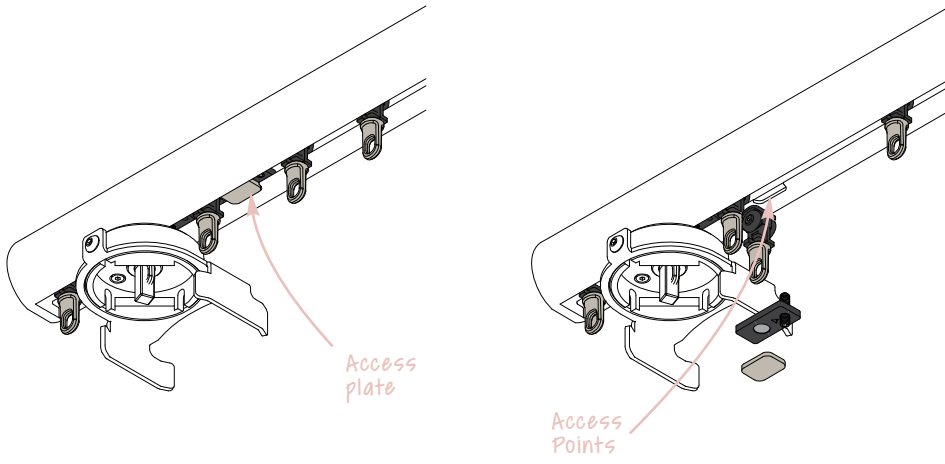
Twin systems are supplied in a minimum of two sections, with a compact return cartridge, in the end of each section.

Mid brackets can be fitted on join



GLIDER/ROLLER ACCESS

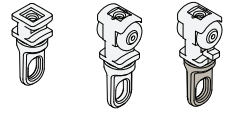
Gliding options can be added/removed by removing the access plate



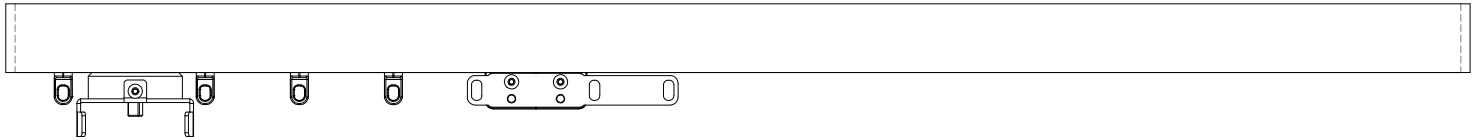
Systems will be supplied as per the diagrams below.

DRIVE POLE SYSTEMS

Gliders • Rollers • Metalcoat Rollers



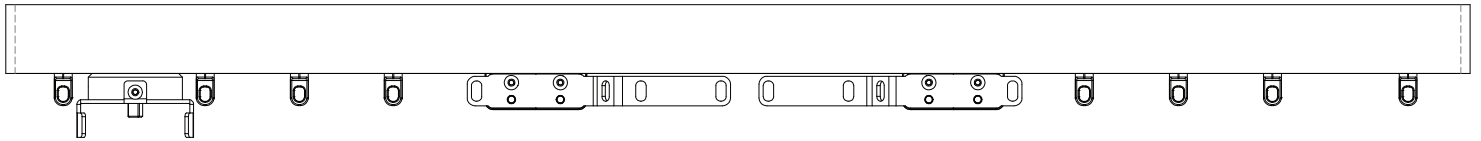
SINGLE DRIVE - Single Stack ▶



SUPPLIED WITH

1x Motor Adaptor & Carriage • 1x Compact Return Carriage • 1x Single stack Overlap Arm

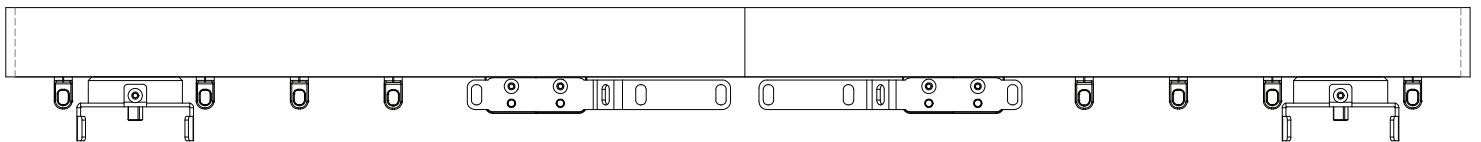
SINGLE DRIVE - Pair Stack ▶◀



SUPPLIED WITH

1x Motor Adaptor & Carriage • 1x Return Carriage • 2x Pair stack Overlap Arm

TWIN DRIVE - Pair Stack ▶◀



SUPPLIED WITH

2x Motor Adaptor & Carriage • 2x Compact Return Carriage • 2x Pair stack Overlap Arm

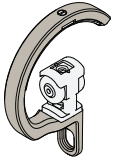


For Specification info on Overlap master carrier see page 31.

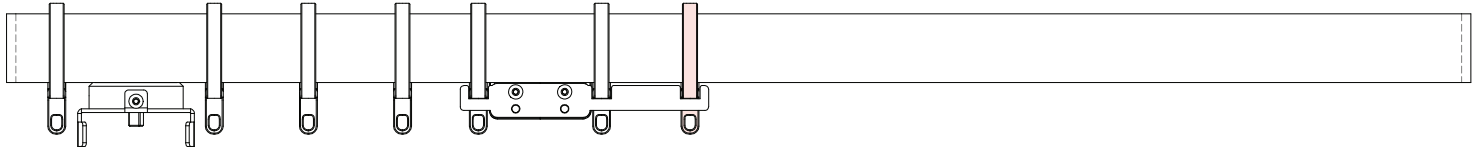
Systems will be supplied as per the diagrams below.

DRIVE POLE SYSTEMS

Rings



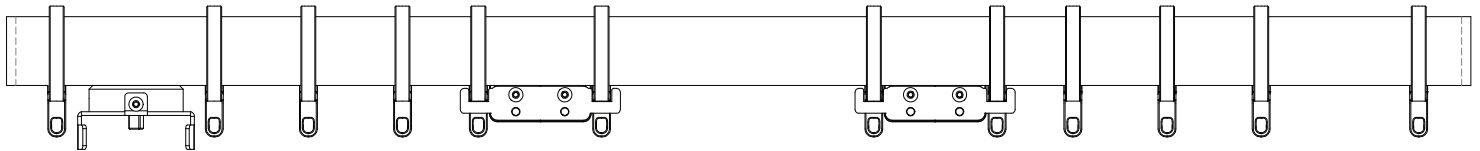
SINGLE DRIVE - Single Stack ▶



SUPPLIED WITH

1x Motor Adaptor & Cartridge • 1x Compact Return Cartridge • 1x Single stack Arm • 1x Ring with Glider Body *(See Pink)*

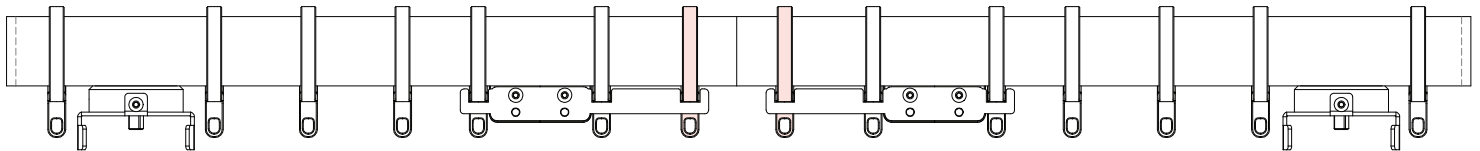
SINGLE DRIVE - Pair Stack ▶◀



SUPPLIED WITH

1x Motor Adaptor & Cartridge • 1x Return Cartridge • 2x Pair stack Arm

TWIN DRIVE - Pair Stack ▶◀



SUPPLIED WITH

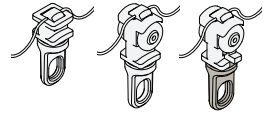
2x Motor Adaptor & Cartridge • 2x Compact Return Cartridge • 2x Single stack Arm • 2x Ring with Glider Body *(See Pink)*

 For Specification info on Overlap master carrier see page 33.

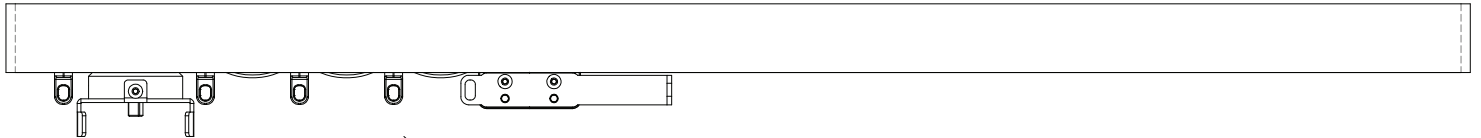
Systems will be supplied as per the diagrams below.

DRIVE POLE SYSTEMS

Sine Gliders • Sine Rollers • Metalcoat Sine Rollers



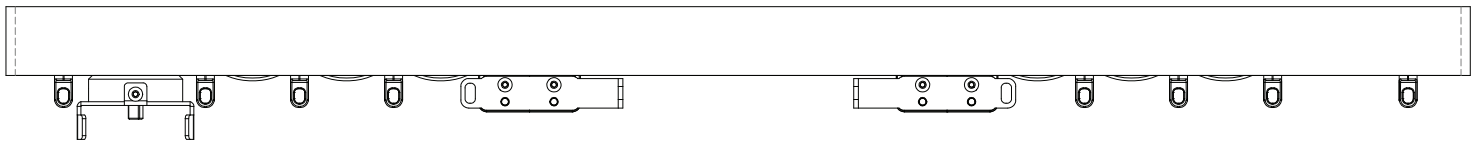
SINGLE DRIVE - Single Stack ▶



SUPPLIED WITH

1x Motor Adaptor & Carriage • 1x Compact Return Carriage • 1x Single stack Sine Arm

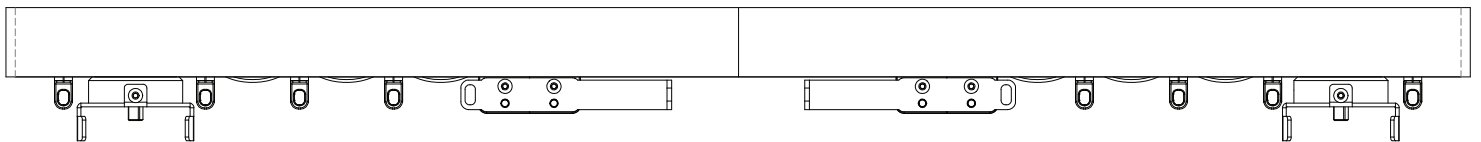
SINGLE DRIVE - Pair Stack ▶◀



SUPPLIED WITH

1x Motor Adaptor & Carriage • 1x Return Carriage • 2x Pair stack Sine Butt Arm

TWIN DRIVE - Pair Stack ▶◀



SUPPLIED WITH

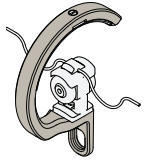
2x Motor Adaptor & Carriage • 2x Compact Return Carriage • 2x Single stack Sine Arm

 For Specification info on Sine master carrier see page 32

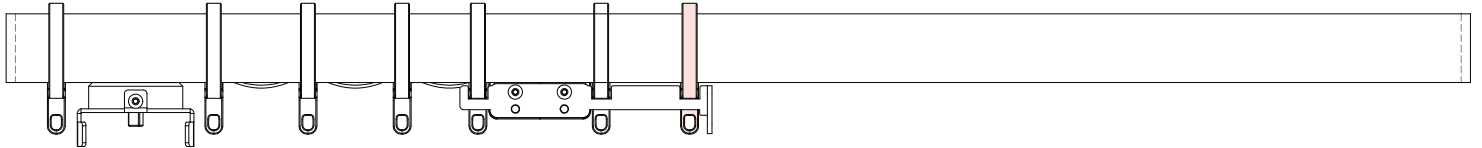
Systems will be supplied as per the diagrams below.

DRIVE POLE SYSTEMS

Sine Rings



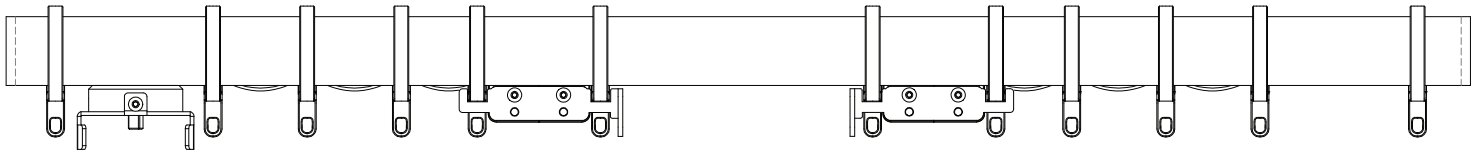
SINGLE DRIVE - *Single Stack* ▶



SUPPLIED WITH

1x Motor Adaptor & Cartridge • 1x Compact Return Cartridge • 1x Single stack Sine Ring Arm • 1x Ring with Glider Body *(See Pink)*

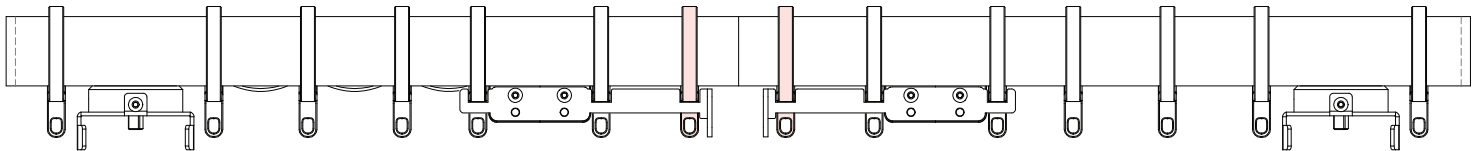
SINGLE DRIVE - *Pair Stack* ▶◀



SUPPLIED WITH

1x Motor Adaptor & Cartridge • 1x Return Cartridge • 2x Pair stack Sine Ring Butt Arm

TWIN DRIVE - *Pair Stack* ▶◀



SUPPLIED WITH

2x Motor Adaptor & Cartridge • 2x Compact Return Cartridge • 2x Single stack Sine Ring Arm • 2x Ring with Glider Body *(See Pink)*

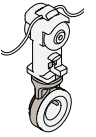


For Specification info on Sine master carrier see page 34

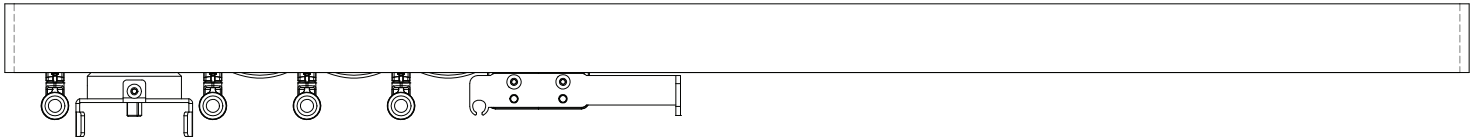
Systems will be supplied as per the diagrams below.

DRIVE POLE SYSTEMS

Metalcoat Ripplefold Rollers



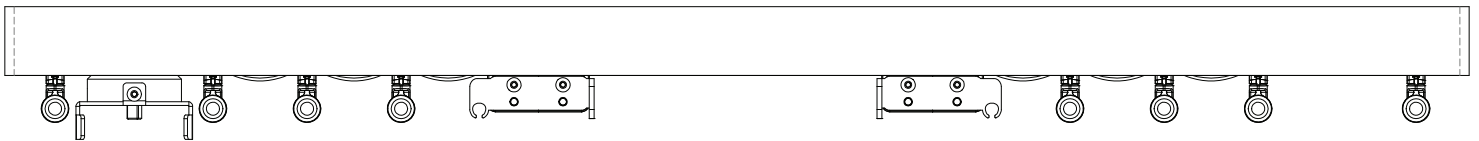
SINGLE DRIVE - *Single Stack* ▶



SUPPLIED WITH

1x Motor Adaptor & Cartridge • 1x Compact Return Cartridge • 1x Single stack Ripplefold Arm

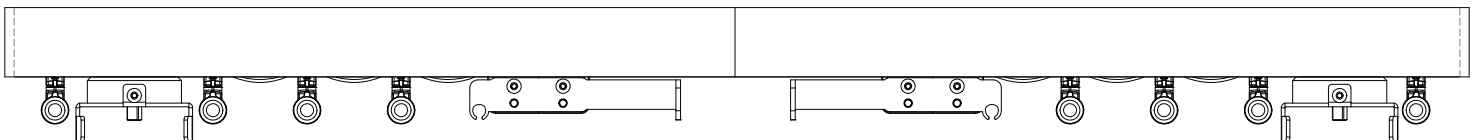
SINGLE DRIVE - *Pair Stack* ▶◀



SUPPLIED WITH

1x Motor Adaptor & Cartridge • 1x Return Cartridge • 2x Pair stack Ripplefold Buff Arm

TWIN DRIVE - *Pair Stack* ▶◀



SUPPLIED WITH

2x Motor Adaptor & Cartridge • 2x Compact Return Cartridge • 2x Single stack Ripplefold Arm



For Specification info on Ripplefold master carrier see page 35

STACK SIZES

This is the area where the curtains hang against the wall when they are pulled open. by covering the wall and not the glass, during the day, it allows more light into the room. Allow approximately 30% of the length of the track for curtain stacking, very full curtains (e.g. pencil pleat) will need more space than flatter ones. lined and interlined curtains will also require more stacking space than unlined.

Single Stack ▶



Pair Stack ▶◀



STANDARD HEADINGS

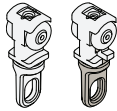


GLIDERS

Gliders are suitable for most installations

One glider is specified for every 100mm (4")

Glider Colour Options: Gypsum • Anthracite



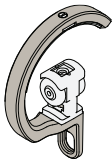
ROLLERS • METALCOAT ROLLERS

Rollers are preferred for heavy drapery & Systems with joins

One roller is specified for every 100mm (4")

Roller Colour Options: Gypsum • Anthracite

Metalcoat Colour Options: System Colour ☺



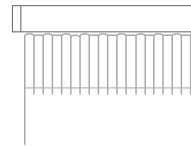
RING

One roller is specified for every 100mm (4").

Roller Colour Options: Gypsum • Anthracite

Metalcoat Colour Options: System Colour ☺

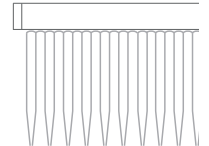
STANDARD
Fullness 1.5



PINCH PLEAT
Fullness 2.0



PENCIL PLEAT
Fullness 2.5 (Heavy)
Fullness 2.5 (Voiles)



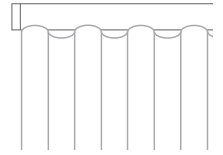
! Pencil pleats will have a larger stack back and performance may be reduced

SINE HEADINGS

Sine headings are a simple S folded heading system consisting of rollers spaced by a cord and a special pocketed header tape that is sewn onto a flat panel curtain.track. it offers an elegant, contemporary look.

- Ideal for both residential and commercial settings.
- Drapery is constructed using special pocketed header tape that is sewn onto a flat panel curtain
- Hooks are fitted to header tape at a set spacing shown below creating the ripple effect
- Fullness can be adjusted by changing the hook spacing.

SINE
Fullness 2.3



FABRIC SUITABILITY

There is no standard test that will indicate whether a fabric is suitable for wave style. However, experience suggests it is normally suitable for:

- ✓ Voiles • Lined cotton • Interlined Silk • Blackout lining

The soft curves of Sine do not lend themselves to:

- ✗ Stiff fabrics • Heavy embroidery • Irregular vertical stripes • Metallic threads



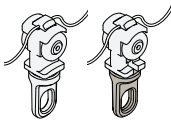
SINE GLIDERS

Gliders are suitable for most installations

Sine Pitch: 80mm (3 1/8")

Sine Glider Colour Options: Gypsum - White Cord • Anthracite - White Cord

Glider-Cord Spacing	Curtain Hook Spacing	Approx. Curtain Fullness	Stack Depth per 1M (39 3/4") of pole	Min Bracket Projection
80mm (3 1/8")	160mm (6 3/16")	2.3	180mm (7 1/16")	100mm (4")



SINE ROLLERS • METALCOAT SINE ROLLERS

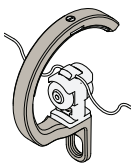
Rollers are preferred for heavy drapery & Systems with joins

Sine Pitch: 60mm (2 3/8") • 80mm (3 1/8")

Sine Roller Colour Options: Gypsum - White Cord • Anthracite - Black Cord

Metalcoat Sine Roller Colour Options: System Colour ☺

Roller-Cord Spacing	Curtain Hook Spacing	Approx. Curtain Fullness	Stack Depth per 1M (39 3/4") of pole	Min Bracket Projection
60mm (2 3/16")	120mm (4 3/4")	2.3	230mm (9 1/16")	100mm (4")
80mm (3 1/8")	160mm (6 3/16")	2.3	180mm (7 1/16")	100mm (4")



SINE RINGS

Sine Pitch: 80mm (3 1/8")

Sine Roller Colour Options: Gypsum - White Cord • Anthracite - Black Cord

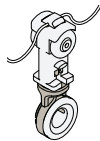
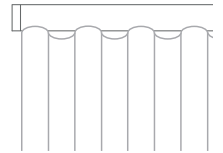
Roller-Cord Spacing	Curtain Hook Spacing	Approx. Curtain Fullness	Stack Depth per 1M (39 3/4") of pole	Min Bracket Projection
80mm (3 1/8")	160mm (6 3/16")	2.3	180mm (7 1/16")	100mm (4")

RIPPLEFOLD HEADING

Ripplefold pleat style is named for the soft, consistent ripples created by the drapery as it hangs from the track. It offers an elegant, contemporary look.

- Ideal for both residential and commercial settings.
- Drapery is constructed with snap tape (Graber®/Kirsch) that allows the drapery to be snapped directly to the auxiliary carriers on the track.
- Fullness of the drapery is determined by the spacing of the carriers in the track. the higher the fullness factor, the more full the draperies appear.
- 3 fullness factors are available

RIPPLEFOLD



RIPPLEFOLD ROLLERS

Rollers are preferred for heavy drapery & Systems with joins

Ripplefold® Fullness: 80% • 100%

Metalcoat Ripplefold® Roller Colour Options: System Colour ☺

	Roller-Cord Spacing	Curtain Fullness	Stack Depth per 1M (39 7/8") of pole	Min Bracket Projection
	60mm (2 3/8")	80%	270mm (10 5/8")	100mm (4")
	55mm (2 1/16")	100%	310mm (12 3/16")	100mm (4")

Different types of fabric have widely differing weights. The type of curtain heading used (see below) will determine the fullness of the fabric used: this can be anything from 1.5 x the width of the pole to 3.0 x pole width.

The chart below assumes 100% fullness (2.0 x width of the pole) the weights are approximate and can vary for many reasons. Always check the expected and final total curtain weight with the curtain maker. Based on 1200mm (48") fabric width

Curtain Type	Width⇄/Drop⇅	1m (3.5')	2m (7')	3m (10.5')	4m (14")	5m (16.5')	6m (20")
Print Cotton (Light)	1m (3.5')	0.8kg (1.8lb)	1.7kg (3.7lb)	2.5kg (5.5lb)	3.4kg (7.4lb)	4.2kg (9.2lb)	5.0kg (11.1lb)
	2m (7')	1.3kg (2.8lb)	2.5g (5.5lb)	3.8kg (8.3lb)	5kg (11.1lb)	6.3kg (13.9lb)	7.6kg (16.6lb)
	3m (10')	1.7kg (3.7lb)	3.4kg (7.4lb)	5kg (11.1lb)	6.7kg (14.8lb)	8.4kg (18.5lb)	10kg (22lb)
Linen (Medium)	1m (3.5')	1.1kg (2.3lb)	2.1kg (4.6lb)	3.2kg (6.9lb)	4.2kg (9.2lb)	5.3kg (11.6lb)	6.3kg (13.9lb)
	2m (7')	1.6kg (3.5lb)	3.2kg (6.9lb)	4.7kg (10.4lb)	6.3kg (13.9lb)	7.9kg (17.3lb)	9.5kg (20.8lb)
	3m (10')	2.1kg (4.6lb)	4.2kg (9.2lb)	6.3kg (13.9lb)	8.4kg (18.5lb)	10.5kg (23.1lb)	12.6kg (27.7lb)
Velvet (Heavy)	1m (3.5')	1.5kg (3.2lb)	3.2kg (6.5lb)	4.4kg (9.7lb)	5.9kg (12.9lb)	7.4kg (16.2lb)	8.8kg (19.4lb)
	2m (7')	2.2kg (4.9lb)	4.4kg (9.7lb)	6.7kg (12.6lb)	8.8kg (19.4lb)	11kg (24.3lb)	13.2kg (22lb)
	3m (10')	2.9kg (6.5lb)	5.9kg (12.9lb)	8.8kg (19.4lb)	11.8kg (26lb)	14.7kg (32.2lb)	17.6kg (39lb)

Maximum weight recommendations for all standard curtain types using gliders & roller are defined to ensure safe and proper function of the system. These limits must be adhered to. See table below for details of all options.

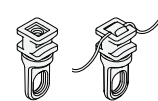


Bends will considerably reduce the load bearing capability of any system.

GLIDERS • SINE GLIDERS

Gliders One glider is specified for every 100mm (4").

Sine Gliders 80mm (3 1/8") spacing between the gliders.



Motor Type	System Width	Straight		1 Bend Bay		2 Bend Bay		4 Bend Bay		Curved Bay	
		Single Motor Single Stack ▶ Pair Stack ▶◀	Twin Motor Pair Stack ▶◀	Single Motor Single Stack ▶ Pair Stack ▶◀	Twin Motor Pair Stack ▶◀	Single Motor Single Stack ▶ Pair Stack ▶◀	Twin Motor Pair Stack ▶◀	Twin Motor Pair Stack ▶◀	Single Motor Single Stack ▶ Pair Stack ▶◀	Twin Motor Pair Stack ▶◀	
⚡ LUTRON D105	6m (236 1/4")	27kg (60lb)	54kg (120lb)	⚠ Gliders not suitable for system with bends							
	12m (472 1/2")	—	64kg (140lb)								
⚡ LUTRON D145	6m (236 1/4")	47kg (102lb)	94kg (204lb)								
	12m (472 1/2")	—	94kg (204lb)								
⚡ LUTRON D175	6m (236 1/4")	67kg (149lb)	134kg (298lb)								
	12m (472 1/2")	—	84kg (185lb)								
⚡ SOMFY GLYDEA ULTRA 60E	6m (236 1/4")	51kg (112lb)	102kg (224lb)								
	12m (472 1/2")	—	102kg (224lb)								
☰ SOMFY IRISMO 45 WF	6m (236 1/4")	45kg (99lb)	90kg (198lb)								
	12m (472 1/2")	—	90kg (198lb)								
⚡ SOMFY MOVELITE 35	6m (236 1/4")	30kg (65lb)	60kg (131lb)								
	12m (472 1/2")	—	60kg (131lb)								
☰ SOMFY MOVELITE 35 WF	6m (236 1/4")	30kg (65lb)	60kg (131lb)								
	12m (472 1/2")	—	60kg (131lb)								
⚡ SILENT GLISS 9060	6m (236 1/4")	38kg (84lb)	77kg (168lb)								
	12m (472 1/2")	—	77kg (168lb)								

Maximum weight recommendations for all standard curtain types using gliders & roller are defined to ensure safe and proper function of the system. These limits must be adhered to. See table below for details of all options.

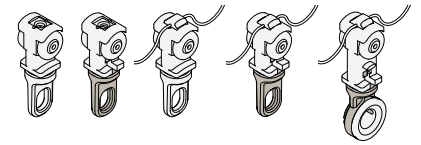
! Bends will considerably reduce the load bearing capability of any system.

ROLLERS • SINE ROLLERS METALCOAT ROLLERS • METALCOAT SINE ROLLERS • METALCOAT RIPPLEFOLD ROLLERS

Rollers One roller is specified for every 100mm (4").

Sine Rollers 60mm (2 3/8") • 80mm (3 1/8") spacing between the rollers.

Ripplefold Rollers Fullness options 80% • 100%



Motor Type	System Width	Straight		1 Bend Bay		2 Bend Bay		4 Bend Bay		Curved Bay	
		Single Motor Single Stack ▶ Pair Stack ▶◀	Twin Motor Pair Stack ▶◀	Single Motor Single Stack ▶ Pair Stack ▶◀	Twin Motor Pair Stack ▶◀	Single Motor Single Stack ▶ Pair Stack ▶◀	Twin Motor Pair Stack ▶◀	Twin Motor Pair Stack ▶◀	Single Motor Single Stack ▶ Pair Stack ▶◀	Twin Motor Pair Stack ▶◀	
⚡ LUTRON D105	6m (236 1/4")	32kg (70lb)	64kg (140lb)	23kg (50lb)	46kg (100lb)	! Motor not suitable for system with multiple bends					
	12m (472 1/2")	—	64kg (140lb)	—	46kg (100lb)						
⚡ LUTRON D145	6m (236 1/4")	55kg (120lb)	110kg (240lb)	43kg (95lb)	86kg (190lb)	25kg (55lb)	50kg (110lb)	50kg (110lb)	25kg (55lb)	50kg (110lb)	
	12m (472 1/2")	—	110kg (240lb)	—	86kg (190lb)	—	50kg (110lb)	50kg (110lb)	—	50kg (110lb)	
⚡ LUTRON D175	6m (236 1/4")	79kg (175lb)	158kg (350lb)	59kg (130lb)	118kg (260lb)	54kg (120lb)	108kg (240lb)	108kg (240lb)	54kg (120lb)	108kg (240lb)	
	12m (472 1/2")	—	84kg (185lb)	—	118kg (260lb)	—	108kg (240lb)	108kg (240lb)	—	108kg (240lb)	
⚡ SOMFY GLYDEA ULTRA 60E	6m (236 1/4")	60kg (132lb)	120kg (264lb)	45kg (99lb)	90kg (198lb)	35kg (77lb)	70kg (154lb)	70kg (154lb)	35kg (77lb)	70kg (154lb)	
	12m (472 1/2")	—	120kg (264lb)	—	90kg (198lb)	—	70kg (154lb)	70kg (154lb)	—	70kg (154lb)	
⚡ SOMFY IRISMO 45 WF	6m (236 1/4")	45kg (99lb)	90kg (198lb)	45kg (99lb)	90kg (198lb)	30kg (66lb)	60kg (132lb)	60kg (132lb)	20kg (44lb)	40kg (88lb)	
	12m (472 1/2")	—	90kg (198lb)	—	90kg (198lb)	—	60kg (132lb)	60kg (132lb)	—	40kg (88lb)	
⚡ SOMFY MOVELITE 35	6m (236 1/4")	35kg (77lb)	70kg (154lb)	25kg (55lb)	50kg (110lb)	10kg (22lb)	20kg (44lb)	20kg (44lb)	10kg (22lb)	20kg (44lb)	
	12m (472 1/2")	—	70kg (154lb)	—	50kg (110lb)	—	20kg (44lb)	20kg (44lb)	—	20kg (44lb)	
⚡ SOMFY MOVELITE 35 WF	6m (236 1/4")	35kg (77lb)	70kg (154lb)	! Motor not suitable for system with bends							
	12m (472 1/2")	—	70kg (154lb)								
⚡ SILENT GLISS 9060	6m (236 1/4")	45kg (99lb)	90kg (198lb)	35kg (77lb)	70kg (154lb)	30kg (66lb)	60kg (132lb)	60kg (132lb)	20kg (44lb)	40kg (88lb)	
	12m (472 1/2")	—	90kg (198lb)	—	70kg (154lb)	—	60kg (132lb)	60kg (132lb)	—	40kg (88lb)	

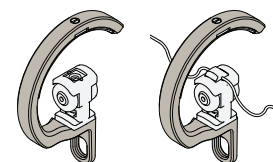
Maximum weight recommendations for all standard curtain types using gliders & roller are defined to ensure safe and proper function of the system. These limits must be adhered to. See table below for details of all options.

! Bends will considerably reduce the load bearing capability of any system.

RINGS • SINE RINGS

Rings One roller is specified for every 100mm (4").

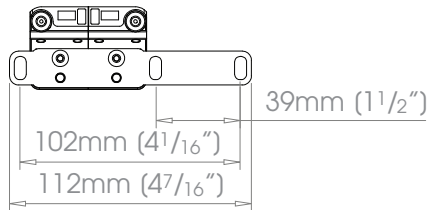
Sine Rings 80mm (3 1/8") spacing between the rings.



Motor Type	System Width	Straight		1 Bend Bay		2 Bend Bay		4 Bend Bay		Curved Bay	
		Single Motor Single Stack ▶ Pair Stack ▶◀	Twin Motor Pair Stack ▶◀	Single Motor Single Stack ▶ Pair Stack ▶◀	Twin Motor Pair Stack ▶◀	Single Motor Single Stack ▶ Pair Stack ▶◀	Twin Motor Pair Stack ▶◀	Twin Motor Pair Stack ▶◀	Single Motor Single Stack ▶ Pair Stack ▶◀	Twin Motor Pair Stack ▶◀	
⚡ LUTRON D105	6m (236 1/4")	27kg (60lb)	54kg (120lb)	20kg (43lb)	40kg (44lb)	! Motor not suitable for system with multiple bends					
	12m (472 1/2")	—	64kg (140lb)	—	40kg (44lb)						
⚡ LUTRON D145	6m (236 1/4")	47kg (102lb)	94kg (204lb)	37kg (81lb)	73kg (162lb)	21kg (47lb)	43kg (94lb)	43kg (94lb)	21kg (47lb)	43kg (94lb)	
	12m (472 1/2")	—	94kg (204lb)	—	73kg (162lb)	—	43kg (94lb)	43kg (94lb)	—	43kg (94lb)	
⚡ LUTRON D175	6m (236 1/4")	67kg (149lb)	134kg (298lb)	50kg (111lb)	100kg (221lb)	46kg (102lb)	92kg (204lb)	92kg (204lb)	46kg (102lb)	92kg (204lb)	
	12m (472 1/2")	—	84kg (185lb)	—	100kg (221lb)4	—	92kg (204lb)	92kg (204lb)	—	92kg (204lb)	
⚡ SOMFY GLYDEA ULTRA 60E	6m (236 1/4")	51kg (112lb)	102kg (224lb)	45kg (99lb)	90kg (198lb)	35kg (77lb)	70kg (154lb)	70kg (154lb)	35kg (77lb)	70kg (154lb)	
	12m (472 1/2")	—	102kg (224lb)	—	90kg (198lb)	—	70kg (154lb)	70kg (154lb)	—	70kg (154lb)	
⚡ SOMFY IRISMO 45 WF	6m (236 1/4")	45kg (99lb)	90kg (198lb)	38kg (84lb)	77kg (168lb)	26kg (56lb)	51kg (112lb)	51kg (112lb)	17kg (37lb)	34kg (75lb)	
	12m (472 1/2")	—	90kg (198lb)	—	90kg (198lb)	—	51kg (112lb)	51kg (112lb)	—	34kg (75lb)	
⚡ SOMFY MOVELITE 35	6m (236 1/4")	30kg (65lb)	60kg (131lb)	21kg (47lb)	43kg (94lb)	9kg (19lb)	17kg (37lb)	17kg (37lb)	9kg (19lb)	17kg (37lb)	
	12m (472 1/2")	—	60kg (131lb)	—	43kg (94lb)	—	17kg (37lb)	17kg (37lb)	—	17kg (37lb)	
⚡ SOMFY MOVELITE 35 WF	6m (236 1/4")	30kg (65lb)	60kg (131lb)	! Motor not suitable for system with bends							
	12m (472 1/2")	—	60kg (131lb)								
⚡ SILENT GLISS 9060	6m (236 1/4")	38kg (84lb)	77kg (168lb)	30kg (65lb)	60kg (131lb)	26kg (56lb)	51kg (112lb)	51kg (112lb)	17kg (37lb)	34kg (75lb)	
	12m (472 1/2")	—	77kg (168lb)	—	60kg (131lb)	—	51kg (112lb)	51kg (112lb)	—	34kg (75lb)	

Master carriers are composed of a polymer body, and a metal arm.
 The polymer body is supplied in either Gypsum or Anthracite complement the system colour (see page 41 for details).
 The metal arms are coated to match the system.

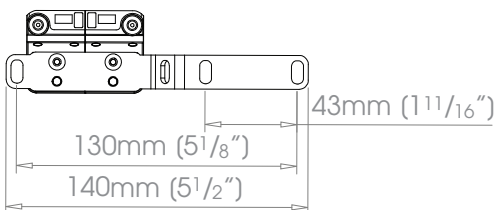
OVERLAP ARM - Single Stack ▶



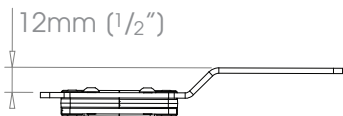
Supplied on single stack systems
 with Gliders/Rollers



OVERLAP ARM - Pair Stack ▶◀

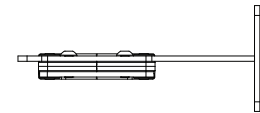
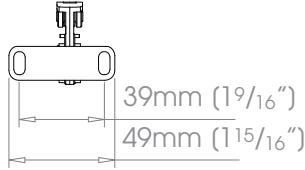
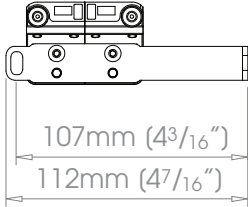


Supplied on pair stack systems
 with Gliders/Rollers



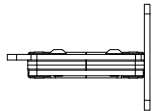
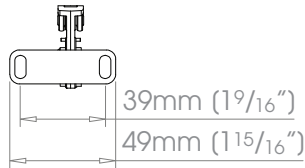
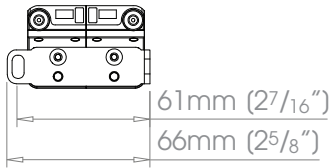
Master carriers are composed of a polymer body, and a metal arm.
 The polymer body is supplied in either Gypsum or Anthracite complement the system colour (see page 41 for details).
 The metal arms are coated to match the system.

SINE ARM - Single Stack ▶



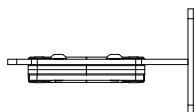
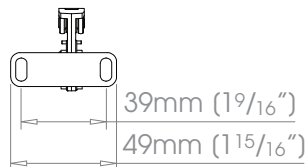
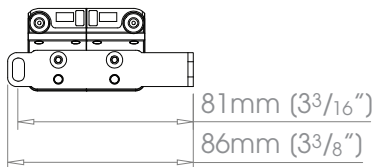
Supplied on single stack systems with Sine Gliders/Rollers

60mm (2 3/8 inches) SINE BUTT ARM - Pair Stack ▶◀



Supplied on pair stack systems with Sine Rollers

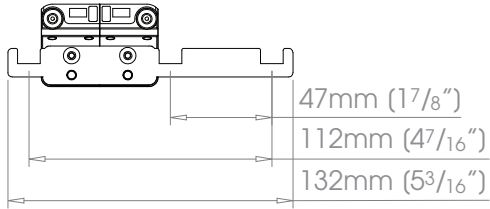
80mm (3 1/8 inches) SINE BUTT ARM - Pair Stack ▶◀



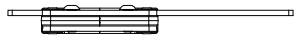
Supplied on pair stack systems with Sine Gliders/Rollers

Master carriers are composed of a polymer body, and a metal arm.
 The polymer body is supplied in either Gypsum or Anthracite complement the system colour (see page 41 for details).
 The metal arms are coated to match the system.

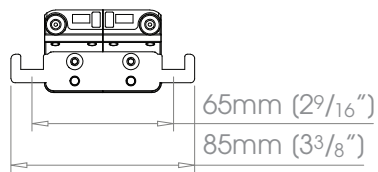
RING ARM - Single Stack ▶



Supplied on single stack systems with Rings



RING ARM - Pair Stack ▶◀

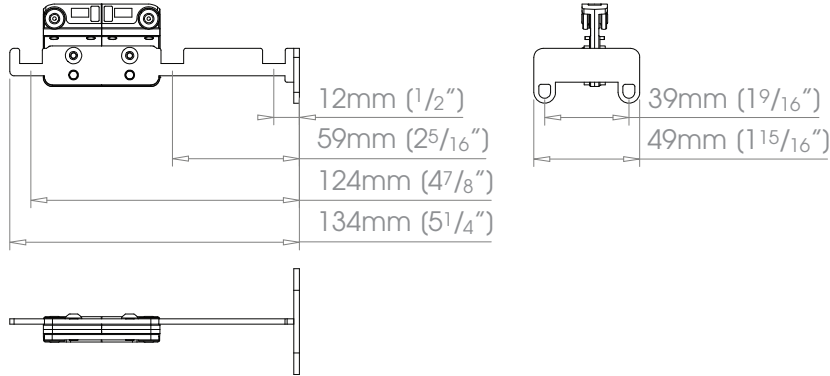


Supplied on pair stack systems with Rings



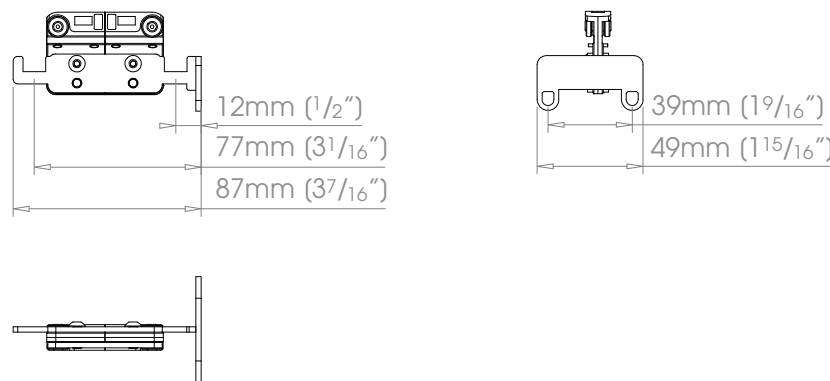
Master carriers are composed of a polymer body, and a metal arm.
 The polymer body is supplied in either Gypsum or Anthracite complement the system colour (see page 41 for details).
 The metal arms are coated to match the system.

SINE RING ARM - Single Stack ▶



Supplied on single stack systems with Sine Rings

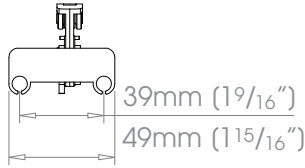
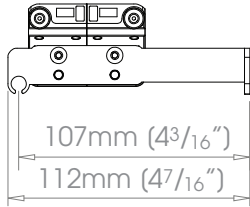
SINE RING BUTT ARM - Pair Stack ▶◀



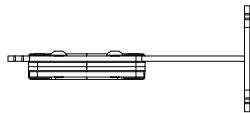
Supplied on pair stack systems with Sine Rings

Master carriers are composed of a polymer body, and a metal arm.
 The polymer body is supplied in either Gypsum or Anthracite to complement the system colour (see page 41 for details).
 The metal arms are coated to match the system.

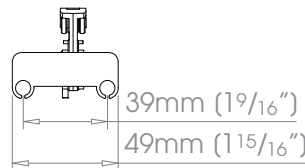
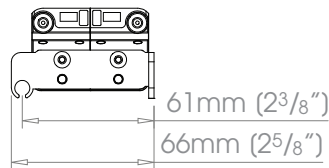
RIPPLEFOLD ARM - Single Stack ▶



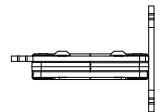
Supplied on single stack systems with Ripplefold Rollers



RIPPLEFOLD BUTT ARM - Pair Stack ▶◀

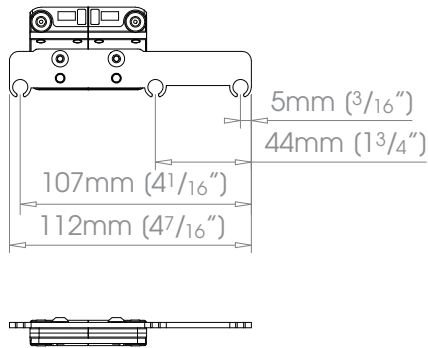


Supplied on pair stack systems with Ripplefold Rollers



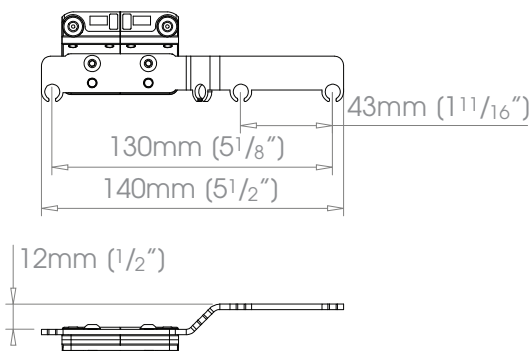
Master carriers are composed of a polymer body, and a metal arm.
 The polymer body is supplied in either Gypsum or Anthracite to complement the system colour (see page 41 for details).
 The metal arms are coated to match the system.

OPTIONAL OVERLAP ARM - Single Stack ▶



Can be supplied as an option on single stack Ripplefold systems.
 Subject to surcharge

OPTIONAL OVERLAP ARM - Pair Stack ▶◀



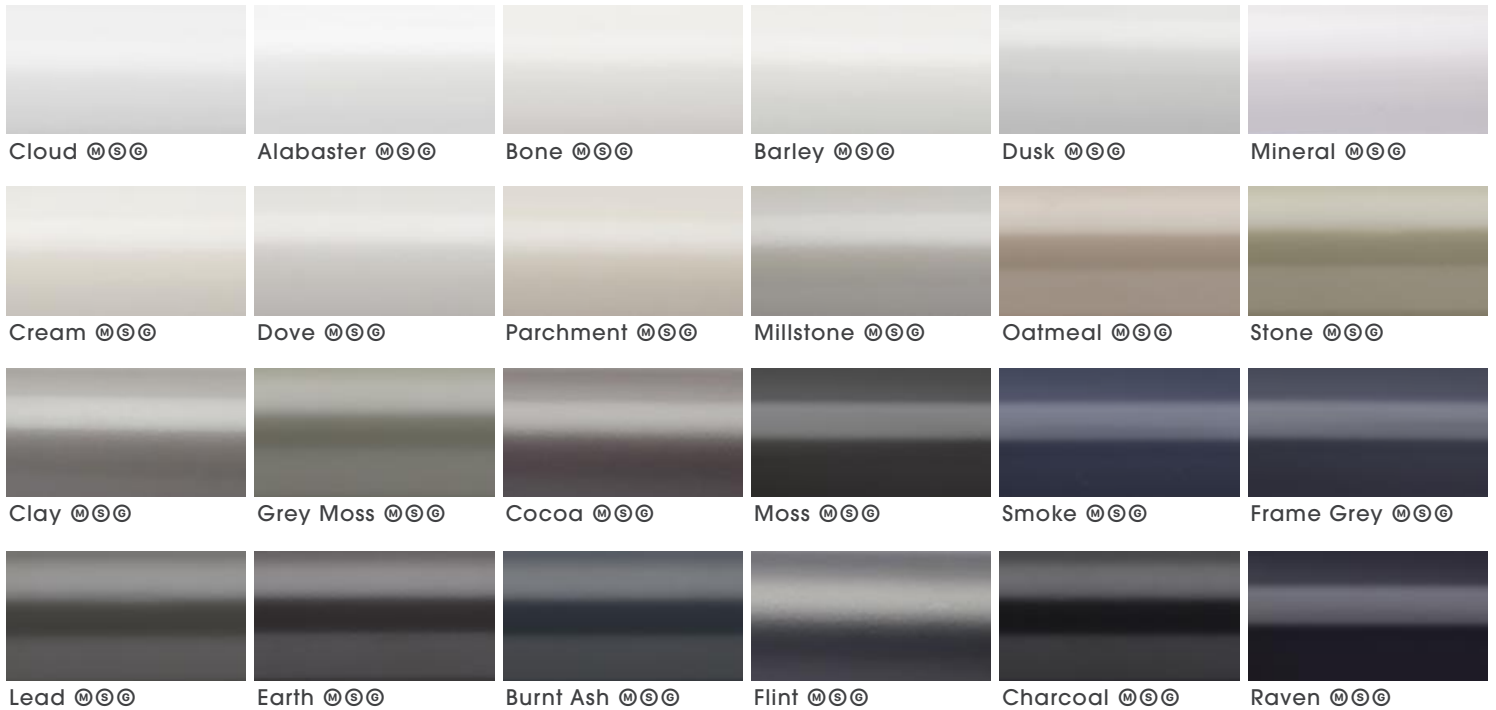
Can be supplied as an option on pair stack Ripplefold systems.
 Subject to surcharge

All poles and components may be specified in this stunning palette of colours and finishes, with a choice of coat options throughout.

SHADES

A superb selection of opaque colours, all available in a choice of Matte, Satin or Gloss finish.

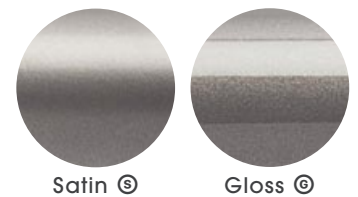
COAT OPTIONS



METALLICS

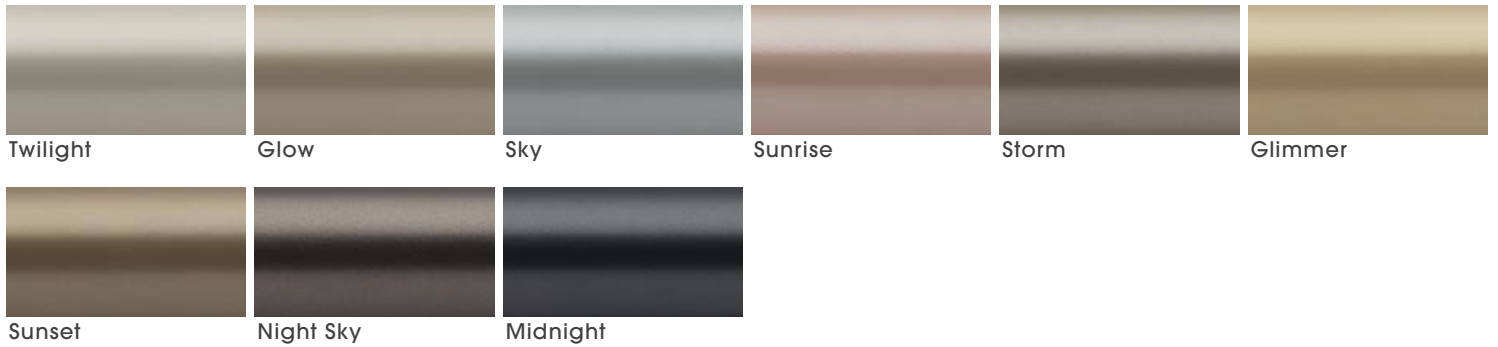
High metallic fleck coatings with all available in Satin and Gloss sheen levels.

COAT OPTIONS



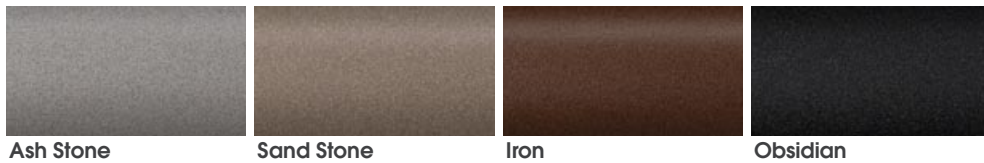
ANODICS

A flat metal colour group, with an anodised style surface texture.



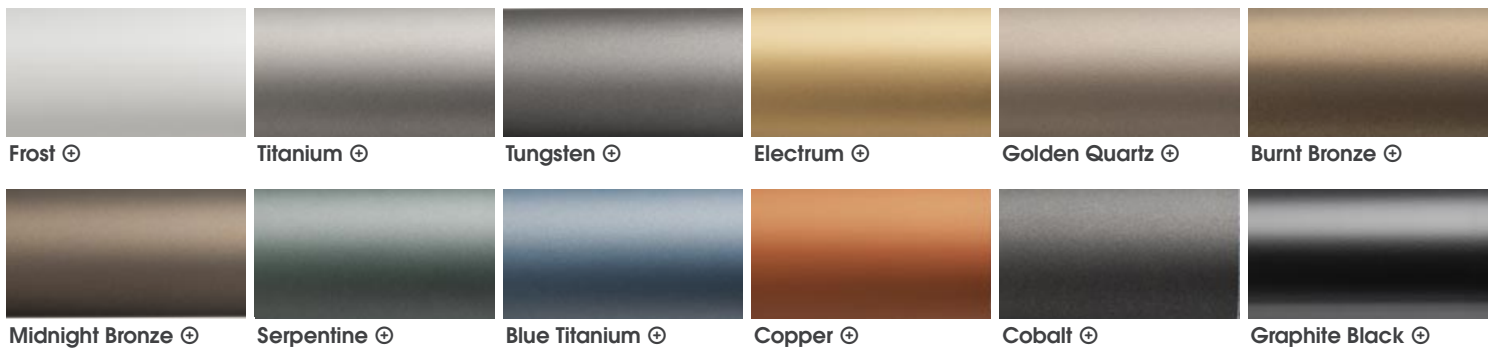
ORGANICS

A textured finish, inspired by nature.



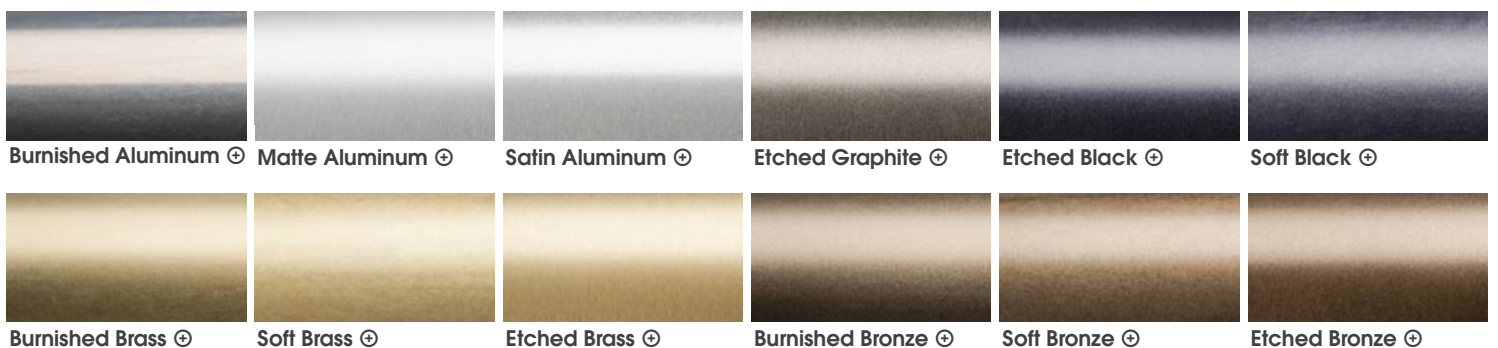
CERAMICS

Finished with ceramic Cerakote for industry leading protection and a flawless finish that endures daily life.



CHROMATICS

Brushed and etched aluminium, elevated with modern tints. Understated luxury with an architectural edge. Sealed in a clear, ceramic coating for lasting durability.



CUSTOM FINISHES

Can be specified from RAL K7 finish chart, subject to a per colour upcharge.
Which covers up to five poles. See price list for further details



COLOUR MATCHING

A colour matching service is offered, to match your scheme of fittings perfectly . See price list for further details

Metalcoat Rollers & Rings will be supplied with bodies in either Gypsum or Anthracite bodies to compliment the chosen finish.

See table below **Coat Options** Matte® • Satin® • Gloss®

SHADES • METALLICS • ANODICS • ORGANICS

System Finish	Gypsum 	Anthracite 
Alabaster®®®	✓	
Antique Brass®®		✓
Ashstone		✓
Barley®®®	✓	
Bone®®®	✓	
Burnt Ash®®®		✓
Bronzed®®		✓
Champagne®®		✓
Charcoal®®®		✓
Clay®®®		✓
Cloud®®®	✓	
Cocoa®®®		✓
Cognac®®		✓
Cream®®®	✓	
Dove®®®	✓	
Dusk®®®	✓	
Earth®®®		✓
Flint®®®		✓
Frame Grey®®®		✓
Glimmer		✓
Glow		✓
Gold®®		✓
Grey Moss®®®		✓
Gunmetal®®		✓
Iron		✓
Lead®®®		✓
Midnight		✓
Millstone®®®		✓
Mineral®®®	✓	
Moss®®®		✓
Night Sky		✓
Oatmeal®®®		✓
Obsidian		✓
Parchment®®®	✓	
Pewter®®		✓
Platinum®®		✓
Raven®®®		✓
Sand Stone		✓
Sky		✓
Smoke®®®		✓
Stone®®®		✓
Storm		✓
Sunrise		✓
Sunset		✓
Twilight		✓


CERAMICS










System Finish	Gypsum 	Anthracite 
Blue Titanium		✓
Burnt Bronze		✓
Cobalt		✓
Copper		✓
Electrum		✓
Frost	✓	
Golden Quartz		✓
Graphite Black		✓
Midnight Bronze		✓
Serpentine		✓
Titanium		✓
Tungsten		✓

CHROMATICS

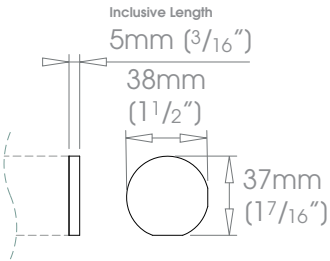
System Finish	Gypsum 	Anthracite 
Burnished Alumi-		✓
Burnished Brass		✓
Burnished Bronze		✓
Etched Black		✓
Etched Brass		✓
Etched Bronze		✓
Etched Graphite		✓
Matte Aluminium		✓
Satin Aluminium		✓
Soft Black		✓
Soft Brass		✓
Soft Bronze		✓



 The seamless finial is an integral part of the pole.
 If this is selected optional finial details cannot be added at a later date.

FINISHES Coat Options Matte  Satin  Gloss 	Shades    Alabaster • Barley • Bone • Burnt Ash • Charcoal • Clay • Cloud • Cocoa • Cream • Dove • Dusk • Earth • Flint • Frame Grey • Grey Moss Lead • Millstone • Mineral • Moss • Oatmeal • Parchment • Raven • Smoke • Stone
	Metallics    Antique Brass • Bronzed • Champagne • Cognac • Gold • Gunmetal • Pewter • Platinum Glimmer • Glow • Midnight • Night Sky • Sky • Storm • Sunrise • Sunset • Twilight
	Anodics Ash Stone • Iron • Obsidian • Sand Stone
	Organics Available at +50% the cost of the standard finish Blue Titanium • Burnt Bronze • Cobalt • Copper • Electrum • Frost • Golden Quartz Graphite Black • Midnight Bronze • Serpentine • Titanium • Tungsten
	Ceramics Available at +50% the cost of the standard finish Burnished Aluminum • Etched Aluminum • Matte Aluminum Etched Graphite • Etched Black • Soft Black Burnished Brass • Etched Brass • Soft Brass Burnished Bronze • Etched Bronze • Soft Bronze

ø38mm (1 1/2")

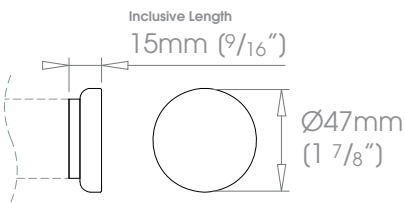




! Can only be added at the point of order
 Finial detail cannot be used with flush ceiling or flush partition brackets

FINISHES	Shades ☉☉☉	Alabaster • Barley • Bone • Burnt Ash • Charcoal • Clay • Cloud • Cocoa • Cream • Dove • Dusk • Earth • Flint • Frame Grey • Grey Moss Lead • Millstone • Mineral • Moss • Oatmeal • Parchment • Raven • Smoke • Stone
	Coat Options	
	Metallics ☉☉	Antique Brass • Bronzed • Champagne • Cognac • Gold • Gunmetal • Pewter • Platinum
	Anodics	Glimmer • Glow • Midnight • Night Sky • Sky • Storm • Sunrise • Sunset • Twilight
	Organics	Ash Stone • Iron • Obsidian • Sand Stone
	Ceramics	Available at +50% the cost of the standard finish Blue Titanium • Burnt Bronze • Cobalt • Copper • Electrum • Frost • Golden Quartz Graphite Black • Midnight Bronze • Serpentine • Titanium • Tungsten
	Chromatics	Available at +50% the cost of the standard finish Burnished Aluminum • Etched Aluminum • Matte Aluminum Etched Graphite • Etched Black • Soft Black Burnished Brass • Etched Brass • Soft Brass Burnished Bronze • Etched Bronze • Soft Bronze

ø38mm (1 1/2")

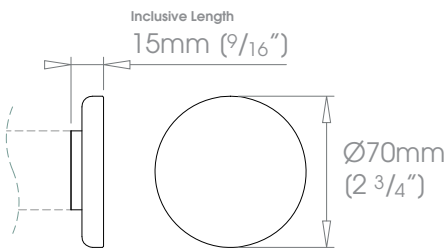




! Can only be added at the point of order
 Finial detail cannot be used with flush ceiling or flush partition brackets

- FINISHES**
- Shades** ☉☉☉ Alabaster • Barley • Bone • Burnt Ash • Charcoal • Clay • Cloud • Cocoa • Cream • Dove • Dusk • Earth • Flint • Frame Grey • Grey Moss • Lead • Millstone • Mineral • Moss • Oatmeal • Parchment • Raven • Smoke • Stone
 - Coat Options**
 - Matte** ☉
 - Satin** ☉
 - Gloss** ☉
 - Metallics** ☉☉☉ Antique Brass • Bronzed • Champagne • Cognac • Gold • Gunmetal • Pewter • Platinum
 - Anodics** Glimmer • Glow • Midnight • Night Sky • Sky • Storm • Sunrise • Sunset • Twilight
 - Organics** Ash Stone • Iron • Obsidian • Sand Stone
 - Ceramics** Available at +50% the cost of the standard finish | Blue Titanium • Burnt Bronze • Cobalt • Copper • Electrum • Frost • Golden Quartz • Graphite Black • Midnight Bronze • Serpentine • Titanium • Tungsten
 - Chromatics** Available at +50% the cost of the standard finish | Burnished Aluminum • Etched Aluminum • Matte Aluminum • Etched Graphite • Etched Black • Soft Black | Burnished Brass • Etched Brass • Soft Brass | Burnished Bronze • Etched Bronze • Soft Bronze

ø38mm (1 1/2")





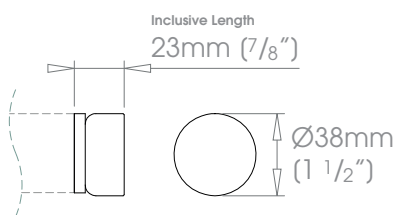
Can only be added at the point of order

FINISHES

Coat Options
 Matte ⊕
 Satin ⊕
 Gloss ⊕

- Shades** ⊕⊕⊕ Alabaster • Barley • Bone • Burnt Ash • Charcoal • Clay • Cloud • Cocoa • Cream • Dove • Dusk • Earth • Flint • Frame Grey • Grey Moss
 Lead • Millstone • Mineral • Moss • Oatmeal • Parchment • Raven • Smoke • Stone
- Metallics** ⊕⊕⊕ Antique Brass • Bronzed • Champagne • Cognac • Gold • Gunmetal • Pewter • Platinum
 Glimmer • Glow • Midnight • Night Sky • Sky • Storm • Sunrise • Sunset • Twilight
- Anodics** ⊕ Ash Stone • Iron • Obsidian • Sand Stone
- Organics** Available at +50% the cost of the standard finish | Blue Titanium • Burnt Bronze • Cobalt • Copper • Electrum • Frost • Golden Quartz
 Graphite Black • Midnight Bronze • Serpentine • Titanium • Tungsten
- Ceramics** Available at +50% the cost of the standard finish | Burnished Aluminum • Etched Aluminum • Matte Aluminum
 Etched Graphite • Etched Black • Soft Black | Burnished Brass • Etched Brass • Soft Brass | Burnished Bronze • Etched Bronze • Soft Bronze
- Chromatics**

∅38mm (1 1/2")

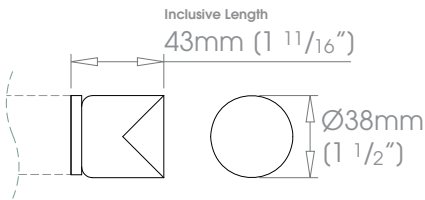




! Can only be added at the point of order

- FINISHES**
- Shades** ☉☉☉ Alabaster • Barley • Bone • Burnt Ash • Charcoal • Clay • Cloud • Cocoa • Cream • Dove • Dusk • Earth • Flint • Frame Grey • Grey Moss • Lead • Millstone • Mineral • Moss • Oatmeal • Parchment • Raven • Smoke • Stone
 - Coat Options**
 - Matte** ☉
 - Satin** ☉
 - Gloss** ☉
 - Metallics** ☉☉ Antique Brass • Bronzed • Champagne • Cognac • Gold • Gunmetal • Pewter • Platinum
 - Anodics** ☉☉ Glimmer • Glow • Midnight • Night Sky • Sky • Storm • Sunrise • Sunset • Twilight
 - Organics** Ash Stone • Iron • Obsidian • Sand Stone
 - Ceramics** Available at +50% the cost of the standard finish | Blue Titanium • Burnt Bronze • Cobalt • Copper • Electrum • Frost • Golden Quartz • Graphite Black • Midnight Bronze • Serpentine • Titanium • Tungsten
 - Chromatics** Available at +50% the cost of the standard finish | Burnished Aluminum • Etched Aluminum • Matte Aluminum • Etched Graphite • Etched Black • Soft Black | Burnished Brass • Etched Brass • Soft Brass | Burnished Bronze • Etched Bronze • Soft Bronze

ø38mm (1 1/2")

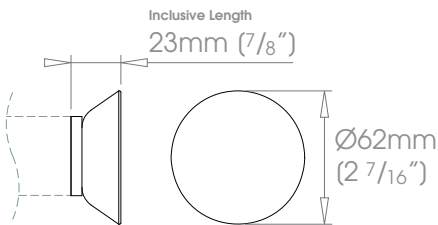




⚠ Can only be added at the point of order
 Finial detail cannot be used with flush ceiling or flush partition brackets

- FINISHES**
- Shades** ☉☉☉ Alabaster • Barley • Bone • Burnt Ash • Charcoal • Clay • Cloud • Cocoa • Cream • Dove • Dusk • Earth • Flint • Frame Grey • Grey Moss • Lead • Millstone • Mineral • Moss • Oatmeal • Parchment • Raven • Smoke • Stone
 - Coat Options**
 - Matte** ☉
 - Satin** ☉
 - Gloss** ☉
 - Metallics** ☉☉ Antique Brass • Bronzed • Champagne • Cognac • Gold • Gunmetal • Pewter • Platinum
 - Anodics** ☉ Glimmer • Glow • Midnight • Night Sky • Sky • Storm • Sunrise • Sunset • Twilight
 - Organics** Ash Stone • Iron • Obsidian • Sand Stone
 - Ceramics** Available at +50% the cost of the standard finish | Blue Titanium • Burnt Bronze • Cobalt • Copper • Electrum • Frost • Golden Quartz • Graphite Black • Midnight Bronze • Serpentine • Titanium • Tungsten
 - Chromatics** Available at +50% the cost of the standard finish | Burnished Aluminum • Etched Aluminum • Matte Aluminum • Etched Graphite • Etched Black • Soft Black | Burnished Brass • Etched Brass • Soft Brass | Burnished Bronze • Etched Bronze • Soft Bronze

ø38mm (1 1/2")

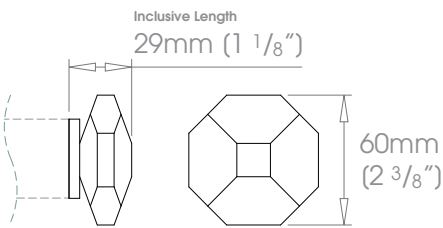




⚠ Can only be added at the point of order
 Finial detail cannot be used with flush ceiling or flush partition brackets

- FINISHES**
- Shades** ☉☉☉ Alabaster • Barley • Bone • Burnt Ash • Charcoal • Clay • Cloud • Cocoa • Cream • Dove • Dusk • Earth • Flint • Frame Grey • Grey Moss • Lead • Millstone • Mineral • Moss • Oatmeal • Parchment • Raven • Smoke • Stone
 - Coat Options**
 - Matte** ☉
 - Satin** ☉
 - Gloss** ☉
 - Metallics** ☉☉ Antique Brass • Bronzed • Champagne • Cognac • Gold • Gunmetal • Pewter • Platinum
 - Anodics** Glimmer • Glow • Midnight • Night Sky • Sky • Storm • Sunrise • Sunset • Twilight
 - Organics** Ash Stone • Iron • Obsidian • Sand Stone
 - Ceramics** Available at +50% the cost of the standard finish | Blue Titanium • Burnt Bronze • Cobalt • Copper • Electrum • Frost • Golden Quartz • Graphite Black • Midnight Bronze • Serpentine • Titanium • Tungsten
 - Chromatics** Available at +50% the cost of the standard finish | Burnished Aluminum • Etched Aluminum • Matte Aluminum • Etched Graphite • Etched Black • Soft Black | Burnished Brass • Etched Brass • Soft Brass | Burnished Bronze • Etched Bronze • Soft Bronze

∅38mm (1 1/2")

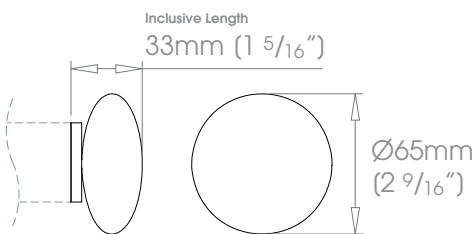




! Can only be added at the point of order
 Finial detail cannot be used with flush ceiling or flush partition brackets

- FINISHES**
- Shades** ☉☉☉ Alabaster • Barley • Bone • Burnt Ash • Charcoal • Clay • Cloud • Cocoa • Cream • Dove • Dusk • Earth • Flint • Frame Grey • Grey Moss • Lead • Millstone • Mineral • Moss • Oatmeal • Parchment • Raven • Smoke • Stone
 - Coat Options**
 - Matte** ☉
 - Satin** ☉
 - Gloss** ☉
 - Metallics** ☉☉☉ Antique Brass • Bronzed • Champagne • Cognac • Gold • Gunmetal • Pewter • Platinum
 - Anodics** ☉☉☉ Glimmer • Glow • Midnight • Night Sky • Sky • Storm • Sunrise • Sunset • Twilight
 - Organics** ☉☉☉ Ash Stone • Iron • Obsidian • Sand Stone
 - Ceramics** ☉☉☉ Available at +50% the cost of the standard finish | Blue Titanium • Burnt Bronze • Cobalt • Copper • Electrum • Frost • Golden Quartz • Graphite Black • Midnight Bronze • Serpentine • Titanium • Tungsten
 - Chromatics** ☉☉☉ Available at +50% the cost of the standard finish | Burnished Aluminum • Etched Aluminum • Matte Aluminum • Etched Graphite • Etched Black • Soft Black | Burnished Brass • Etched Brass • Soft Brass | Burnished Bronze • Etched Bronze • Soft Bronze

ø38mm (1 1/2")

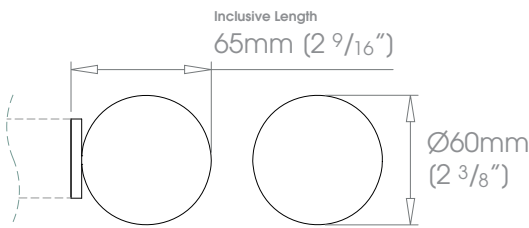




! Can only be added at the point of order
 Finial detail cannot be used with flush ceiling or flush partition brackets

- FINISHES** Shades @@@ Alabaster • Barley • Bone • Burnt Ash • Charcoal • Clay • Cloud • Cocoa • Cream • Dove • Dusk • Earth • Flint • Frame Grey • Grey Moss
 Lead • Millstone • Mineral • Moss • Oatmeal • Parchment • Raven • Smoke • Stone
- Coat Options
 Matte @
 Satin @
 Gloss @
- Metallics** @@
 Anodics @
 Organics
 Ceramics
 Chromatics
- Antique Brass • Bronzed • Champagne • Cognac • Gold • Gunmetal • Pewter • Platinum
 Glimmer • Glow • Midnight • Night Sky • Sky • Storm • Sunrise • Sunset • Twilight
 Ash Stone • Iron • Obsidian • Sand Stone
 Available at +50% the cost of the standard finish | Blue Titanium • Burnt Bronze • Cobalt • Copper • Electrum • Frost • Golden Quartz
 Graphite Black • Midnight Bronze • Serpentine • Titanium • Tungsten
 Available at +50% the cost of the standard finish | Burnished Aluminum • Etched Aluminum • Matte Aluminum
 Etched Graphite • Etched Black • Soft Black | Burnished Brass • Etched Brass • Soft Brass | Burnished Bronze • Etched Bronze • Soft Bronze

ø38mm (1 1/2")



The following finials from our other collections can be specified on request.



Finials listed below cannot be used with Flush Ceiling Brackets / Flush Partition Brackets

MIO

For specific please refer to the Mio Specification Guide.

Final	Diameter(s)
Stud	∅38mm (1 1/2")
Disc	∅38mm (1 1/2")
Faceted Disc	∅38mm (1 1/2")
Pebble	∅38mm (1 1/2")
Squat Disc	∅38mm (1 1/2")
Ball	∅38mm (1 1/2")
Crystal Ball	∅38mm (1 1/2")

ELYSIAN

For specific please refer to the Elysian Specification Guide.

Final	Diameter(s)
Halo	∅38mm (1 1/2")
Aura	∅38mm (1 1/2")
Orbit	∅38mm (1 1/2")
Discus	∅38mm (1 1/2")
Jewel	∅38mm (1 1/2")
Flute	∅38mm (1 1/2")
Squat Globe	∅38mm (1 1/2")
Globe	∅38mm (1 1/2")
Ribbed Globe	∅38mm (1 1/2")
Charm	∅38mm (1 1/2")
Templar	∅38mm (1 1/2")
Crystal Templar	∅38mm (1 1/2")

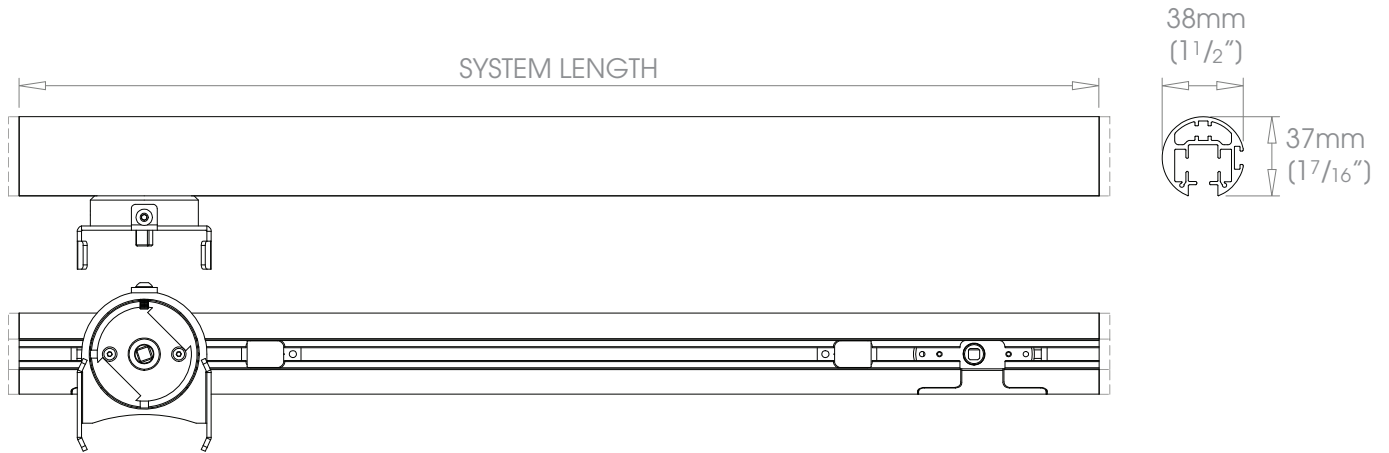


FINISHES

Coat Options
Matte
Satin
Gloss

- Shades** Alabaster • Barley • Bone • Burnt Ash • Charcoal • Clay • Cloud • Cocoa • Cream • Dove • Dusk • Earth • Flint • Frame Grey • Grey Moss • Lead • Millstone • Mineral • Moss • Oatmeal • Parchment • Raven • Smoke • Stone
- Metallics** Antique Brass • Bronzed • Champagne • Cognac • Gold • Gunmetal • Pewter • Platinum
- Anodics** Glimmer • Glow • Midnight • Night Sky • Sky • Storm • Sunrise • Sunset • Twilight
- Organics** Ash Stone • Iron • Obsidian • Sand Stone
- Ceramics** Available at +50% the cost of the standard finish | Blue Titanium • Burnt Bronze • Cobalt • Copper • Electrum • Frost • Golden Quartz • Graphite Black • Midnight Bronze • Serpentine • Titanium • Tungsten
- Chromatics** Available at +50% the cost of the standard finish | Burnished Aluminum • Etched Aluminum • Matte Aluminum • Etched Graphite • Etched Black • Soft Black | Burnished Brass • Etched Brass • Soft Brass | Burnished Bronze • Etched Bronze • Soft Bronze

ø38mm (1 1/2") - Left Hand Drive



Glider Options

SINGLE STACK ► • PAIR STACK ►◄



GLIDER
Colour options:
Gypsum • Anthracite



SINE GLIDER
Colour options:
Gypsum • Anthracite

Glidors not suitable for use on bay/curved poles

Sine Pitch:
80mm (3 1/8")

Roller Options

SINGLE STACK ► • PAIR STACK ►◄



ROLLER
Colour options:
Gypsum • Anthracite



SINE ROLLER
Colour options:
Gypsum • Anthracite

Sine Pitch:
60mm (2 3/8") • 80mm (3 1/8")

Ring Options

SINGLE STACK ► • PAIR STACK ►◄



RING
Colour options:
System Colour®



SINE RING
Colour options:
System Colour®

Sine Pitch:
80mm (3 1/8")



METALCOAT ROLLER
Colour options:
System Colour®



METALCOAT SINE ROLLER
Colour options:
System Colour®

Sine Pitch:
60mm (2 3/8") • 80mm (3 1/8")



METALCOAT RIPPLEFOLD ROLLER
Colour options:
System Colour®

Fullness:
80% • 100%

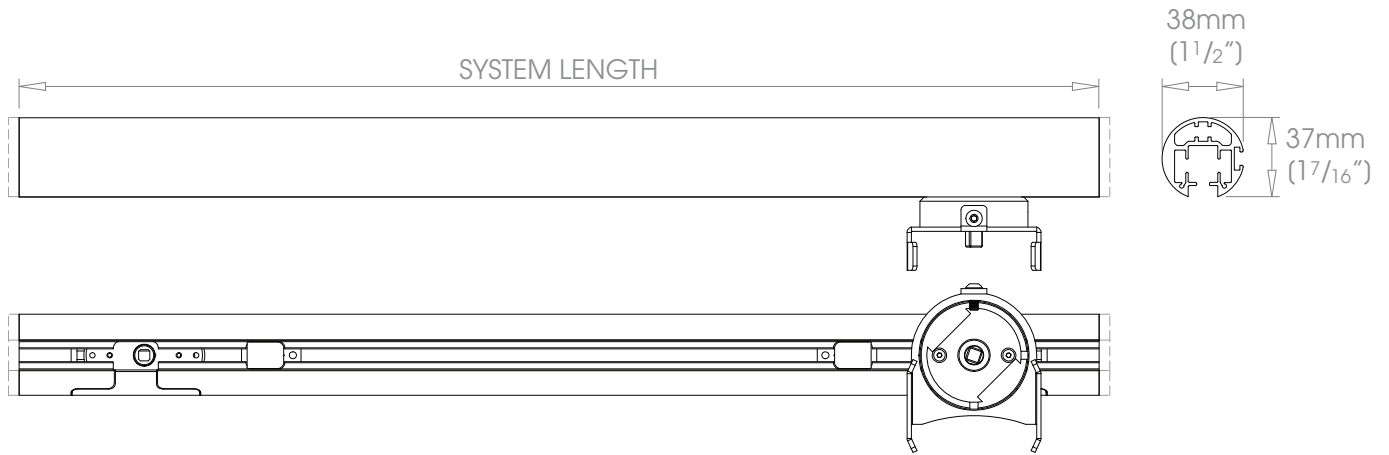


FINISHES

Coat Options
 Matte ☉
 Satin ☉
 Gloss ☉

- Shades** ☉☉☉ Alabaster • Barley • Bone • Burnt Ash • Charcoal • Clay • Cloud • Cocoa • Cream • Dove • Dusk • Earth • Flint • Frame Grey • Grey Moss • Lead • Millstone • Mineral • Moss • Oatmeal • Parchment • Raven • Smoke • Stone
- Metallics** ☉☉ Antique Brass • Bronzed • Champagne • Cognac • Gold • Gunmetal • Pewter • Platinum
- Anodics** Glimmer • Glow • Midnight • Night Sky • Sky • Storm • Sunrise • Sunset • Twilight
- Organics** Ash Stone • Iron • Obsidian • Sand Stone
- Ceramics** Available at +50% the cost of the standard finish | Blue Titanium • Burnt Bronze • Cobalt • Copper • Electrum • Frost • Golden Quartz • Graphite Black • Midnight Bronze • Serpentine • Titanium • Tungsten
- Chromatics** Available at +50% the cost of the standard finish | Burnished Aluminum • Etched Aluminum • Matte Aluminum • Etched Graphite • Etched Black • Soft Black | Burnished Brass • Etched Brass • Soft Brass | Burnished Bronze • Etched Bronze • Soft Bronze

ø38mm (1 1/2") - Right Hand Drive



Glider Options

SINGLE STACK ▶ • PAIR STACK ▶◀



GLIDER
 Colour options:
 Gypsum • Anthracite



SINE GLIDER
 Colour options:
 Gypsum • Anthracite

Glidors not suitable for use on bay/curved poles

Sine Pitch:
 80mm (3 1/8")

Roller Options

SINGLE STACK ▶ • PAIR STACK ▶◀



ROLLER
 Colour options:
 Gypsum • Anthracite



SINE ROLLER
 Colour options:
 Gypsum • Anthracite

Sine Pitch:
 60mm (2 3/8") • 80mm (3 1/8")

Ring Options

SINGLE STACK ▶ • PAIR STACK ▶◀



RING
 Colour options:
 System Colour☉



SINE RING
 Colour options:
 System Colour☉

Sine Pitch:
 80mm (3 1/8")



METALCOAT ROLLER
 Colour options:
 System Colour☉



METALCOAT SINE ROLLER
 Colour options:
 System Colour☉

Sine Pitch:
 60mm (2 3/8") • 80mm (3 1/8")



METALCOAT RIPPLEFOLD ROLLER
 Colour options:
 System Colour☉

Fullness:
 80% • 100%

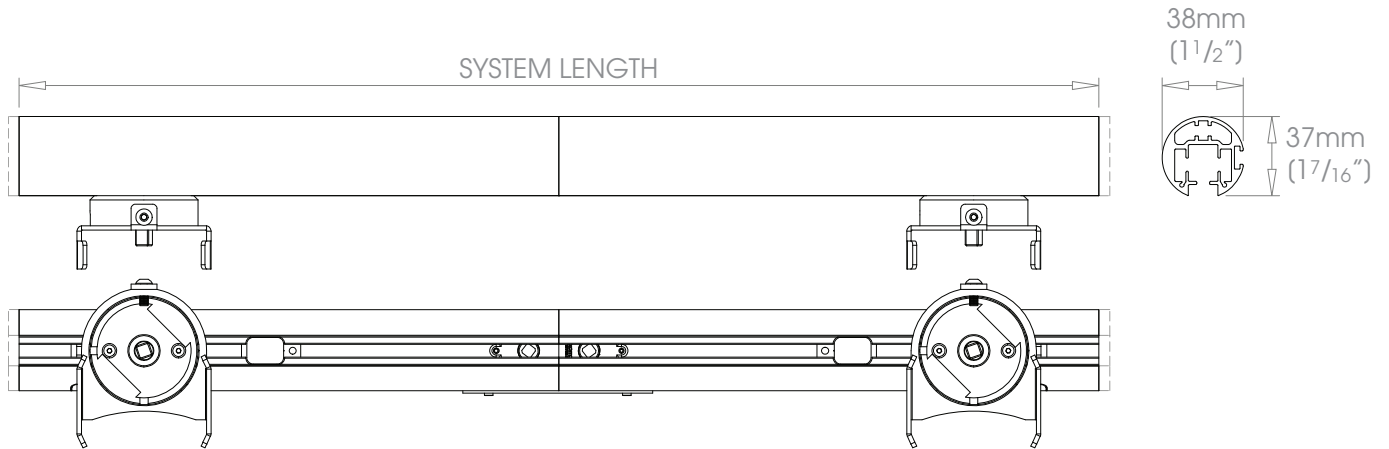


FINISHES

Coat Options
Matte
Satin
Gloss

- Shades** Alabaster • Barley • Bone • Burnt Ash • Charcoal • Clay • Cloud • Cocoa • Cream • Dove • Dusk • Earth • Flint • Frame Grey • Grey Moss • Lead • Millstone • Mineral • Moss • Oatmeal • Parchment • Raven • Smoke • Stone
- Metallics** Antique Brass • Bronzed • Champagne • Cognac • Gold • Gunmetal • Pewter • Platinum
- Anodics** Glimmer • Glow • Midnight • Night Sky • Sky • Storm • Sunrise • Sunset • Twilight
- Organics** Ash Stone • Iron • Obsidian • Sand Stone
- Ceramics** Available at +50% the cost of the standard finish | Blue Titanium • Burnt Bronze • Cobalt • Copper • Electrum • Frost • Golden Quartz • Graphite Black • Midnight Bronze • Serpentine • Titanium • Tungsten
- Chromatics** Available at +50% the cost of the standard finish | Burnished Aluminum • Etched Aluminum • Matte Aluminum • Etched Graphite • Etched Black • Soft Black | Burnished Brass • Etched Brass • Soft Brass | Burnished Bronze • Etched Bronze • Soft Bronze

ø38mm (1 1/2") - Twin Drive



Glider Options

SINGLE STACK ► • PAIR STACK ►◄



GLIDER
Colour options:
Gypsum • Anthracite



SINE GLIDER
Colour options:
Gypsum • Anthracite

Glidors not suitable for use on bay/curved poles

Sine Pitch:
80mm (3 1/8")

Roller Options

SINGLE STACK ► • PAIR STACK ►◄



ROLLER
Colour options:
Gypsum • Anthracite



SINE ROLLER
Colour options:
Gypsum • Anthracite

Sine Pitch:
60mm (2 3/8") • 80mm (3 1/8")

Ring Options

SINGLE STACK ► • PAIR STACK ►◄



RING
Colour options:
System Colour®



SINE RING
Colour options:
System Colour®

Sine Pitch:
80mm (3 1/8")



METALCOAT ROLLER
Colour options:
System Colour®



METALCOAT SINE ROLLER
Colour options:
System Colour®

Sine Pitch:
60mm (2 3/8") • 80mm (3 1/8")



METALCOAT RIPPLEFOLD ROLLER
Colour options:
System Colour®

Fullness:
80% • 100%



FINISHES

Coat Options

- Matte
- Satin
- Gloss

Shades

Alabaster • Barley • Bone • Burnt Ash • Charcoal • Clay • Cloud • Cocoa • Cream • Dove • Dusk • Earth • Flint • Frame Grey • Grey Moss Lead • Millstone • Mineral • Moss • Oatmeal • Parchment • Raven • Smoke • Stone

Metallics

Antique Brass • Bronzed • Champagne • Cognac • Gold • Gunmetal • Pewter • Platinum

Anodics

Glimmer • Glow • Midnight • Night Sky • Sky • Storm • Sunrise • Sunset • Twilight

Organics

Ash Stone • Iron • Obsidian • Sand Stone

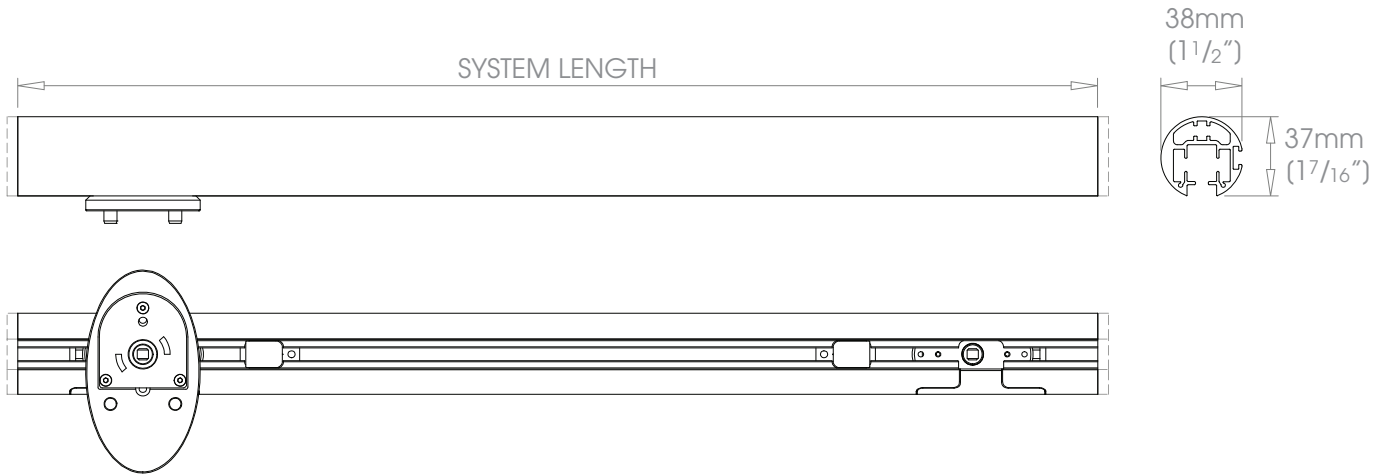
Ceramics

Available at +50% the cost of the standard finish | Blue Titanium • Burnt Bronze • Cobalt • Copper • Electrum • Frost • Golden Quartz Graphite Black • Midnight Bronze • Serpentine • Titanium • Tungsten

Chromatics

Available at +50% the cost of the standard finish | Burnished Aluminum • Etched Aluminum • Matte Aluminum Etched Graphite • Etched Black • Soft Black | Burnished Brass • Etched Brass • Soft Brass | Burnished Bronze • Etched Bronze • Soft Bronze

ø38mm (1 1/2") - Left Hand Drive



Glider Options

SINGLE STACK ► • PAIR STACK ►◄



GLIDER

Colour options:
Gypsum • Anthracite



SINE GLIDER

Colour options:
Gypsum • Anthracite

Glidors not suitable for use on bay/curved poles

Sine Pitch:
80mm (3 1/8")

Roller Options

SINGLE STACK ► • PAIR STACK ►◄



ROLLER

Colour options:
Gypsum • Anthracite



SINE ROLLER

Colour options:
Gypsum • Anthracite

Sine Pitch:
60mm (2 3/8") • 80mm (3 1/8")

Ring Options

SINGLE STACK ► • PAIR STACK ►◄



RING

Colour options:
System Colour®



SINE RING

Colour options:
System Colour®

Sine Pitch:
80mm (3 1/8")



METALCOAT ROLLER

Colour options:
System Colour®



METALCOAT SINE ROLLER

Colour options:
System Colour®

Sine Pitch:
60mm (2 3/8") • 80mm (3 1/8")



METALCOAT RIPPLEFOLD ROLLER

Colour options:
System Colour®

Fullness:
80% • 100%

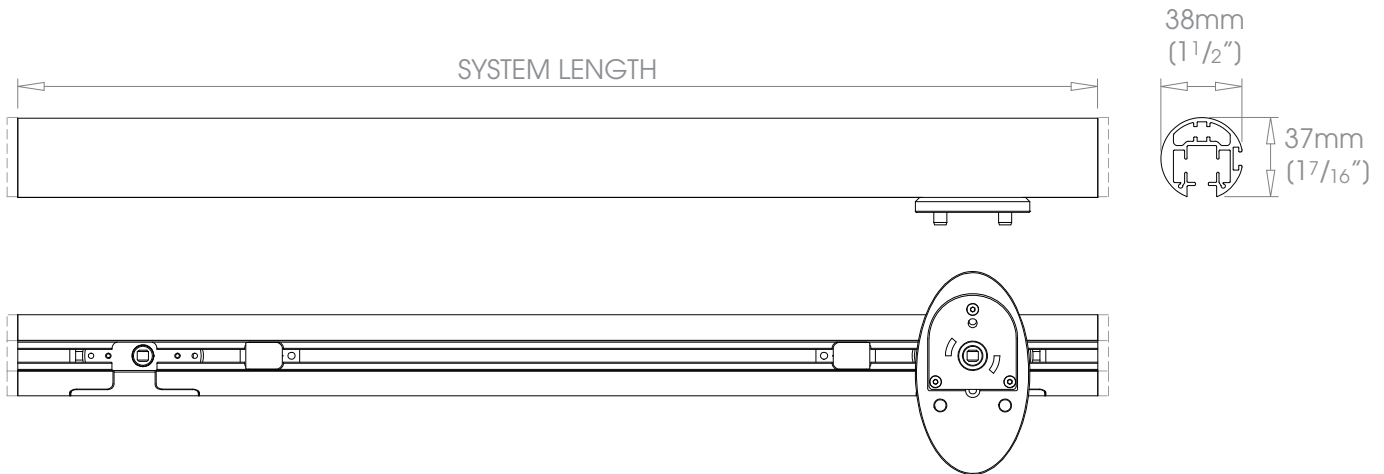


FINISHES

Coat Options
Matte
Satin
Gloss

- Shades** Alabaster • Barley • Bone • Burnt Ash • Charcoal • Clay • Cloud • Cocoa • Cream • Dove • Dusk • Earth • Flint • Frame Grey • Grey Moss • Lead • Millstone • Mineral • Moss • Oatmeal • Parchment • Raven • Smoke • Stone
- Metallics** Antique Brass • Bronzed • Champagne • Cognac • Gold • Gunmetal • Pewter • Platinum
- Anodics** Glimmer • Glow • Midnight • Night Sky • Sky • Storm • Sunrise • Sunset • Twilight
- Organics** Ash Stone • Iron • Obsidian • Sand Stone
- Ceramics** Available at +50% the cost of the standard finish | Blue Titanium • Burnt Bronze • Cobalt • Copper • Electrum • Frost • Golden Quartz • Graphite Black • Midnight Bronze • Serpentine • Titanium • Tungsten
- Chromatics** Available at +50% the cost of the standard finish | Burnished Aluminum • Etched Aluminum • Matte Aluminum • Etched Graphite • Etched Black • Soft Black | Burnished Brass • Etched Brass • Soft Brass | Burnished Bronze • Etched Bronze • Soft Bronze

ø38mm (1 1/2") - Right Hand Drive



Glider Options

SINGLE STACK ► • PAIR STACK ►◄



GLIDER
Colour options:
Gypsum • Anthracite



SINE GLIDER
Colour options:
Gypsum • Anthracite

Glidors not suitable for use on bay/curved poles

Sine Pitch:
80mm (3 1/8")

Roller Options

SINGLE STACK ► • PAIR STACK ►◄



ROLLER
Colour options:
Gypsum • Anthracite



SINE ROLLER
Colour options:
Gypsum • Anthracite

Sine Pitch:
60mm (2 3/8") • 80mm (3 1/8")

Ring Options

SINGLE STACK ► • PAIR STACK ►◄



RING
Colour options:
System Colour®



SINE RING
Colour options:
System Colour®

Sine Pitch:
80mm (3 1/8")



METALCOAT ROLLER
Colour options:
System Colour®



METALCOAT SINE ROLLER
Colour options:
System Colour®

Sine Pitch:
60mm (2 3/8") • 80mm (3 1/8")



METALCOAT RIPPLEFOLD ROLLER
Colour options:
System Colour®

Fullness:
80% • 100%

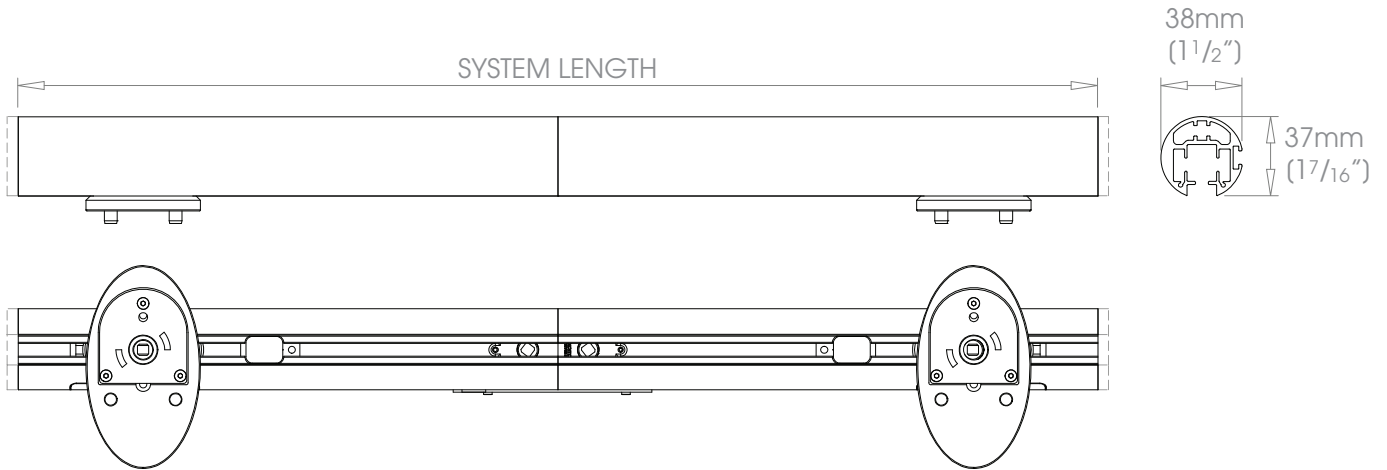


FINISHES

Coat Options
Matte
Satin
Gloss

- Shades** Alabaster • Barley • Bone • Burnt Ash • Charcoal • Clay • Cloud • Cocoa • Cream • Dove • Dusk • Earth • Flint • Frame Grey • Grey Moss • Lead • Millstone • Mineral • Moss • Oatmeal • Parchment • Raven • Smoke • Stone
- Metallics** Antique Brass • Bronzed • Champagne • Cognac • Gold • Gunmetal • Pewter • Platinum
- Anodics** Glimmer • Glow • Midnight • Night Sky • Sky • Storm • Sunrise • Sunset • Twilight
- Organics** Ash Stone • Iron • Obsidian • Sand Stone
- Ceramics** Available at +50% the cost of the standard finish | Blue Titanium • Burnt Bronze • Cobalt • Copper • Electrum • Frost • Golden Quartz • Graphite Black • Midnight Bronze • Serpentine • Titanium • Tungsten
- Chromatics** Available at +50% the cost of the standard finish | Burnished Aluminum • Etched Aluminum • Matte Aluminum • Etched Graphite • Etched Black • Soft Black | Burnished Brass • Etched Brass • Soft Brass | Burnished Bronze • Etched Bronze • Soft Bronze

ø38mm (1 1/2") - Twin Drive



Glider Options

SINGLE STACK ► • PAIR STACK ►◄



GLIDER
Colour options:
Gypsum • Anthracite



SINE GLIDER
Colour options:
Gypsum • Anthracite

Glidors not suitable for use on bay/curved poles

Sine Pitch:
80mm (3 1/8")

Roller Options

SINGLE STACK ► • PAIR STACK ►◄



ROLLER
Colour options:
Gypsum • Anthracite



SINE ROLLER
Colour options:
Gypsum • Anthracite

Sine Pitch:
60mm (2 3/8") • 80mm (3 1/8")

Ring Options

SINGLE STACK ► • PAIR STACK ►◄



RING
Colour options:
System Colour®



SINE RING
Colour options:
System Colour®

Sine Pitch:
80mm (3 1/8")



METALCOAT ROLLER
Colour options:
System Colour®



METALCOAT SINE ROLLER
Colour options:
System Colour®

Sine Pitch:
60mm (2 3/8") • 80mm (3 1/8")



METALCOAT RIPPLEFOLD ROLLER
Colour options:
System Colour®

Fullness:
80% • 100%



FINISHES

Coat Options

- Matte
- Satin
- Gloss

Shades

Alabaster • Barley • Bone • Burnt Ash • Charcoal • Clay • Cloud • Cocoa • Cream • Dove • Dusk • Earth • Flint • Frame Grey • Grey Moss Lead • Millstone • Mineral • Moss • Oatmeal • Parchment • Raven • Smoke • Stone

Metallics

Antique Brass • Bronzed • Champagne • Cognac • Gold • Gunmetal • Pewter • Platinum

Anodics

Glimmer • Glow • Midnight • Night Sky • Sky • Storm • Sunrise • Sunset • Twilight

Organics

Ash Stone • Iron • Obsidian • Sand Stone

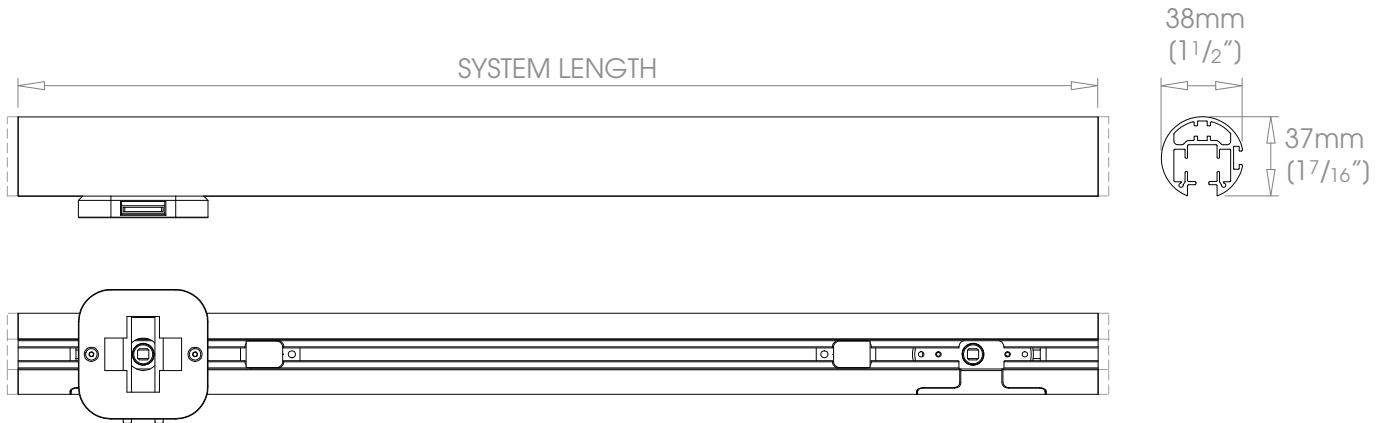
Ceramics

Available at +50% the cost of the standard finish | Blue Titanium • Burnt Bronze • Cobalt • Copper • Electrum • Frost • Golden Quartz Graphite Black • Midnight Bronze • Serpentine • Titanium • Tungsten

Chromatics

Available at +50% the cost of the standard finish | Burnished Aluminum • Etched Aluminum • Matte Aluminum Etched Graphite • Etched Black • Soft Black | Burnished Brass • Etched Brass • Soft Brass | Burnished Bronze • Etched Bronze • Soft Bronze

ø38mm (1 1/2") - Left Hand Drive



Glider Options

SINGLE STACK ► • PAIR STACK ►◄



GLIDER

Colour options:
Gypsum • Anthracite



SINE GLIDER

Colour options:
Gypsum • Anthracite

Glidors not suitable for use on bay/curved poles

Sine Pitch:
80mm (3 1/8")

Roller Options

SINGLE STACK ► • PAIR STACK ►◄



ROLLER

Colour options:
Gypsum • Anthracite



SINE ROLLER

Colour options:
Gypsum • Anthracite

Sine Pitch:
60mm (2 3/8") • 80mm (3 1/8")

Ring Options

SINGLE STACK ► • PAIR STACK ►◄



RING

Colour options:
System Colour



SINE RING

Colour options:
System Colour

Sine Pitch:
80mm (3 1/8")



METALCOAT ROLLER

Colour options:
System Colour



METALCOAT SINE ROLLER

Colour options:
System Colour

Sine Pitch:
60mm (2 3/8") • 80mm (3 1/8")



METALCOAT RIPPLEFOLD ROLLER

Colour options:
System Colour

Fullness:
80% • 100%

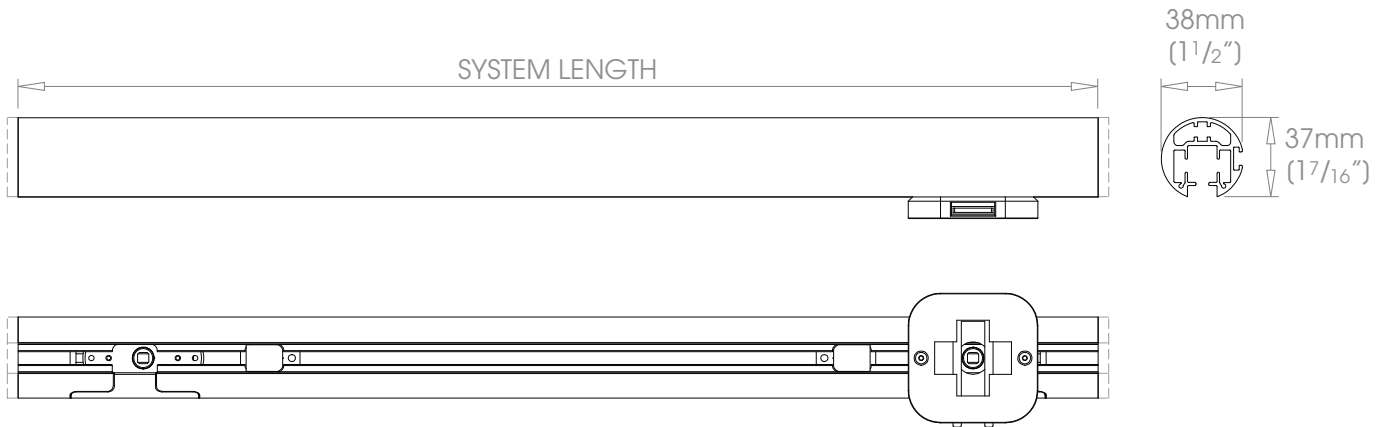


FINISHES

Coat Options
Matte
Satin
Gloss

- Shades** Alabaster • Barley • Bone • Burnt Ash • Charcoal • Clay • Cloud • Cocoa • Cream • Dove • Dusk • Earth • Flint • Frame Grey • Grey Moss • Lead • Millstone • Mineral • Moss • Oatmeal • Parchment • Raven • Smoke • Stone
- Metallics** Antique Brass • Bronzed • Champagne • Cognac • Gold • Gunmetal • Pewter • Platinum
- Anodics** Glimmer • Glow • Midnight • Night Sky • Sky • Storm • Sunrise • Sunset • Twilight
- Organics** Ash Stone • Iron • Obsidian • Sand Stone
- Ceramics** Available at +50% the cost of the standard finish | Blue Titanium • Burnt Bronze • Cobalt • Copper • Electrum • Frost • Golden Quartz • Graphite Black • Midnight Bronze • Serpentine • Titanium • Tungsten
- Chromatics** Available at +50% the cost of the standard finish | Burnished Aluminum • Etched Aluminum • Matte Aluminum • Etched Graphite • Etched Black • Soft Black | Burnished Brass • Etched Brass • Soft Brass | Burnished Bronze • Etched Bronze • Soft Bronze

ø38mm (1 1/2") - Right Hand Drive



Glider Options

SINGLE STACK ► • PAIR STACK ►◄



GLIDER
Colour options:
Gypsum • Anthracite



SINE GLIDER
Colour options:
Gypsum • Anthracite

Glidery not suitable for use on bay/curved poles

Sine Pitch:
80mm (3 1/8")

Roller Options

SINGLE STACK ► • PAIR STACK ►◄



ROLLER
Colour options:
Gypsum • Anthracite



SINE ROLLER
Colour options:
Gypsum • Anthracite

Sine Pitch:
60mm (2 3/8") • 80mm (3 1/8")

Ring Options

SINGLE STACK ► • PAIR STACK ►◄



RING
Colour options:
System Colour®



SINE RING
Colour options:
System Colour®

Sine Pitch:
80mm (3 1/8")



METALCOAT ROLLER
Colour options:
System Colour®



METALCOAT SINE ROLLER
Colour options:
System Colour®

Sine Pitch:
60mm (2 3/8") • 80mm (3 1/8")



METALCOAT RIPPLEFOLD ROLLER
Colour options:
System Colour®

Fullness:
80% • 100%

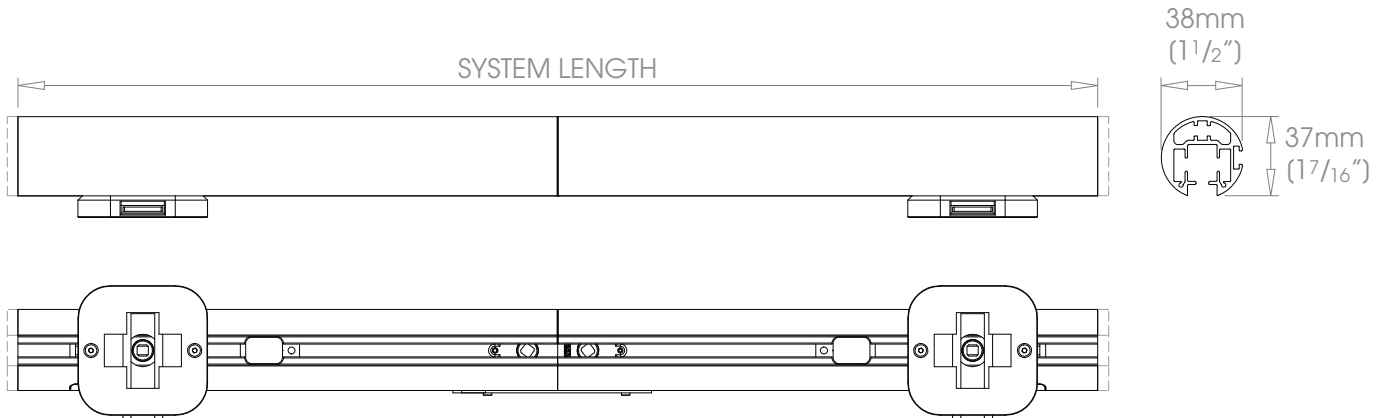


FINISHES

Coat Options
 Matte
 Satin
 Gloss

- Shades** Alabaster • Barley • Bone • Burnt Ash • Charcoal • Clay • Cloud • Cocoa • Cream • Dove • Dusk • Earth • Flint • Frame Grey • Grey Moss • Lead • Millstone • Mineral • Moss • Oatmeal • Parchment • Raven • Smoke • Stone
- Metallics** Antique Brass • Bronzed • Champagne • Cognac • Gold • Gunmetal • Pewter • Platinum
- Anodics** Glimmer • Glow • Midnight • Night Sky • Sky • Storm • Sunrise • Sunset • Twilight
- Organics** Ash Stone • Iron • Obsidian • Sand Stone
- Ceramics** Available at +50% the cost of the standard finish | Blue Titanium • Burnt Bronze • Cobalt • Copper • Electrum • Frost • Golden Quartz • Graphite Black • Midnight Bronze • Serpentine • Titanium • Tungsten
- Chromatics** Available at +50% the cost of the standard finish | Burnished Aluminum • Etched Aluminum • Matte Aluminum • Etched Graphite • Etched Black • Soft Black | Burnished Brass • Etched Brass • Soft Brass | Burnished Bronze • Etched Bronze • Soft Bronze

ø38mm (1 1/2") - Twin Drive



Glider Options

SINGLE STACK ► • PAIR STACK ►◄



GLIDER
 Colour options:
 Gypsum • Anthracite



SINE GLIDER
 Colour options:
 Gypsum • Anthracite

Gliders not suitable for use on bay/curved poles

Sine Pitch:
 80mm (3 1/8")

Roller Options

SINGLE STACK ► • PAIR STACK ►◄



ROLLER
 Colour options:
 Gypsum • Anthracite



SINE ROLLER
 Colour options:
 Gypsum • Anthracite

Sine Pitch:
 60mm (2 3/8") • 80mm (3 1/8")

Ring Options

SINGLE STACK ► • PAIR STACK ►◄



RING
 Colour options:
 System Colour®



SINE RING
 Colour options:
 System Colour®

Sine Pitch:
 80mm (3 1/8")



METALCOAT ROLLER
 Colour options:
 System Colour®



METALCOAT SINE ROLLER
 Colour options:
 System Colour®

Sine Pitch:
 60mm (2 3/8") • 80mm (3 1/8")



METALCOAT RIPPLEFOLD ROLLER
 Colour options:
 System Colour®

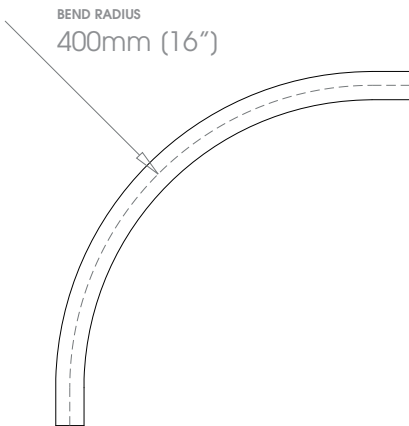
Fullness:
 80% • 100%



! Return bends are not available.

- FINISHES**
- Shades** ☉☉☉ Alabaster • Barley • Bone • Burnt Ash • Charcoal • Clay • Cloud • Cocoa • Cream • Dove • Dusk • Earth • Flint • Frame Grey • Grey Moss • Lead • Millstone • Mineral • Moss • Oatmeal • Parchment • Raven • Smoke • Stone
 - Coat Options**
 - Matte** ☉
 - Satin** ☉
 - Gloss** ☉
 - Metallics** ☉☉☉ Antique Brass • Bronzed • Champagne • Cognac • Gold • Gunmetal • Pewter • Platinum
 - Anodics** ☉☉☉ Glimmer • Glow • Midnight • Night Sky • Sky • Storm • Sunrise • Sunset • Twilight
 - Organics** Ash Stone • Iron • Obsidian • Sand Stone
 - Ceramics** Available at +50% the cost of the standard finish | Blue Titanium • Burnt Bronze • Cobalt • Copper • Electrum • Frost • Golden Quartz • Graphite Black • Midnight Bronze • Serpentine • Titanium • Tungsten
 - Chromatics** Available at +50% the cost of the standard finish | Burnished Aluminum • Etched Aluminum • Matte Aluminum • Etched Graphite • Etched Black • Soft Black | Burnished Brass • Etched Brass • Soft Brass | Burnished Bronze • Etched Bronze • Soft Bronze

ø38mm (1 1/2")



! Glider options not suitable for use on bay/curved poles



FINISHES

Coat Options

- Matte ⊕
- Satin ⊕
- Gloss ⊕

Shades ⊕⊕⊕

Alabaster • Barley • Bone • Burnt Ash • Charcoal • Clay • Cloud • Cocoa • Cream • Dove • Dusk • Earth • Flint • Frame Grey • Grey Moss
Lead • Millstone • Mineral • Moss • Oatmeal • Parchment • Raven • Smoke • Stone

Metallics ⊕⊕

Antique Brass • Bronzed • Champagne • Cognac • Gold • Gunmetal • Pewter • Platinum

Anodics ⊕⊕

Glimmer • Glow • Midnight • Night Sky • Sky • Storm • Sunrise • Sunset • Twilight

Organics

Ash Stone • Iron • Obsidian • Sand Stone

Ceramics

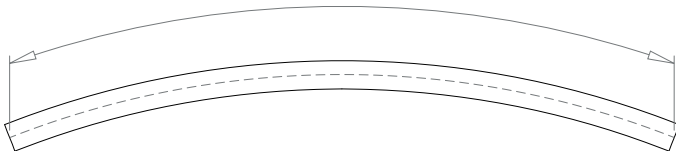
Available at +50% the cost of the standard finish | Blue Titanium • Burnt Bronze • Cobalt • Copper • Electrum • Frost • Golden Quartz
Graphite Black • Midnight Bronze • Serpentine • Titanium • Tungsten

Chromatics

Available at +50% the cost of the standard finish | Burnished Aluminum • Etched Aluminum • Matte Aluminum
Etched Graphite • Etched Black • Soft Black | Burnished Brass • Etched Brass • Soft Brass | Burnished Bronze • Etched Bronze • Soft Bronze

∅38mm (1 1/2")

300mm (12")



Glider options not suitable for use on bay/curved poles

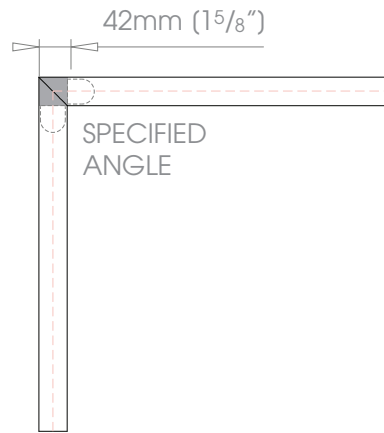
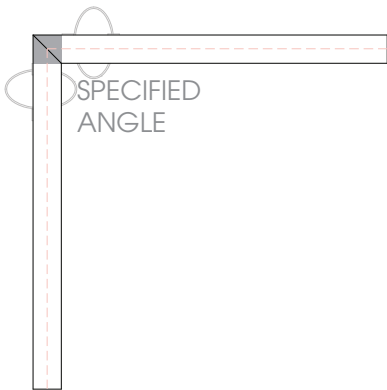


! Motor and Return Cartridges can be positioned at the mitre. Highlighted grey area is a non running space.

- FINISHES**
- Shades** ☉☉☉ Alabaster • Barley • Bone • Burnt Ash • Charcoal • Clay • Cloud • Cocoa • Cream • Dove • Dusk • Earth • Flint • Frame Grey • Grey Moss • Lead • Millstone • Mineral • Moss • Oatmeal • Parchment • Raven • Smoke • Stone
 - Coat Options**
 - Matte** ☉
 - Satin** ☉
 - Gloss** ☉
 - Metallics** ☉☉ Antique Brass • Bronzed • Champagne • Cognac • Gold • Gunmetal • Pewter • Platinum
 - Anodics** ☉☉ Glimmer • Glow • Midnight • Night Sky • Sky • Storm • Sunrise • Sunset • Twilight
 - Organics** Ash Stone • Iron • Obsidian • Sand Stone
 - Ceramics** Available at +50% the cost of the standard finish | Blue Titanium • Burnt Bronze • Cobalt • Copper • Electrum • Frost • Golden Quartz • Graphite Black • Midnight Bronze • Serpentine • Titanium • Tungsten
 - Chromatics** Available at +50% the cost of the standard finish | Burnished Aluminum • Etched Aluminum • Matte Aluminum • Etched Graphite • Etched Black • Soft Black | Burnished Brass • Etched Brass • Soft Brass | Burnished Bronze • Etched Bronze • Soft Bronze

∅38mm (1 1/2") - Motor Cartridges

∅38mm (1 1/2") - Return Cartridges

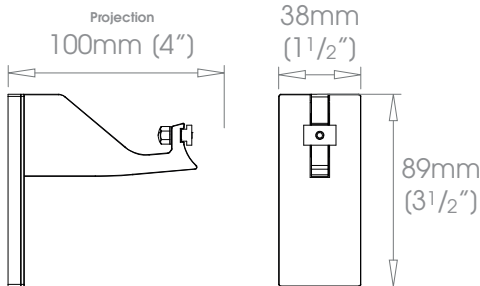




Customised brackets available - See page 9

- FINISHES**
- Shades** ☉☉☉ Alabaster • Barley • Bone • Burnt Ash • Charcoal • Clay • Cloud • Cocoa • Cream • Dove • Dusk • Earth • Flint • Frame Grey • Grey Moss • Lead • Millstone • Mineral • Moss • Oatmeal • Parchment • Raven • Smoke • Stone
 - Coat Options**
 - Matte** ☉
 - Satin** ☉
 - Gloss** ☉
 - Metallics** ☉☉☉ Antique Brass • Bronzed • Champagne • Cognac • Gold • Gunmetal • Pewter • Platinum
 - Anodics** ☉☉☉ Glimmer • Glow • Midnight • Night Sky • Sky • Storm • Sunrise • Sunset • Twilight
 - Organics** ☉☉☉ Ash Stone • Iron • Obsidian • Sand Stone
 - Ceramics** ☉☉☉ Available at +50% the cost of the standard finish | Blue Titanium • Burnt Bronze • Cobalt • Copper • Electrum • Frost • Golden Quartz • Graphite Black • Midnight Bronze • Serpentine • Titanium • Tungsten
 - Chromatics** ☉☉☉ Available at +50% the cost of the standard finish | Burnished Aluminum • Etched Aluminum • Matte Aluminum • Etched Graphite • Etched Black • Soft Black | Burnished Brass • Etched Brass • Soft Brass | Burnished Bronze • Etched Bronze • Soft Bronze

ø38mm (1 1/2")

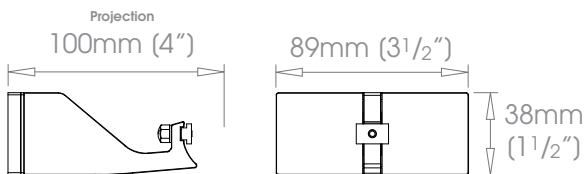




Customised brackets available - See page 9

- FINISHES**
- Shades** ☉☉☉ Alabaster • Barley • Bone • Burnt Ash • Charcoal • Clay • Cloud • Cocoa • Cream • Dove • Dusk • Earth • Flint • Frame Grey • Grey Moss • Lead • Millstone • Mineral • Moss • Oatmeal • Parchment • Raven • Smoke • Stone
 - Coat Options**
 - Matte** ☉
 - Satin** ☉
 - Gloss** ☉
 - Metallics** ☉☉☉ Antique Brass • Bronzed • Champagne • Cognac • Gold • Gunmetal • Pewter • Platinum
 - Anodics** ☉☉☉ Glimmer • Glow • Midnight • Night Sky • Sky • Storm • Sunrise • Sunset • Twilight
 - Organics** Ash Stone • Iron • Obsidian • Sand Stone
 - Ceramics** Available at +50% the cost of the standard finish | Blue Titanium • Burnt Bronze • Cobalt • Copper • Electrum • Frost • Golden Quartz • Graphite Black • Midnight Bronze • Serpentine • Titanium • Tungsten
 - Chromatics** Available at +50% the cost of the standard finish | Burnished Aluminum • Etched Aluminum • Matte Aluminum • Etched Graphite • Etched Black • Soft Black | Burnished Brass • Etched Brass • Soft Brass | Burnished Bronze • Etched Bronze • Soft Bronze

ø38mm (1 1/2")





FINISHES

Coat Options

- Matte Ⓜ
- Satin Ⓢ
- Gloss Ⓤ

Metallics ⓂⓊ

Anodics

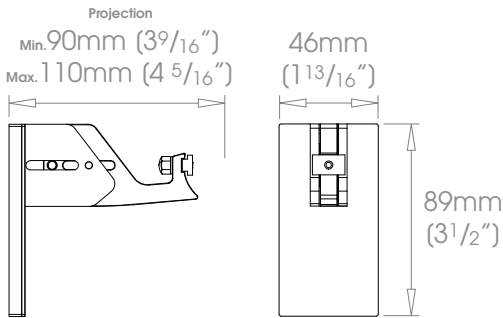
Organics

Ceramics

Chromatics

- Shades ⓂⓈⓊ Alabaster • Barley • Bone • Burnt Ash • Charcoal • Clay • Cloud • Cocoa • Cream • Dove • Dusk • Earth • Flint • Frame Grey • Grey Moss
 Lead • Millstone • Mineral • Moss • Oatmeal • Parchment • Raven • Smoke • Stone
 Metallics ⓂⓊ Antique Brass • Bronzed • Champagne • Cognac • Gold • Gunmetal • Pewter • Platinum
 Anodics Glimmer • Glow • Midnight • Night Sky • Sky • Storm • Sunrise • Sunset • Twilight
 Organics Ash Stone • Iron • Obsidian • Sand Stone
 Ceramics Available at +50% the cost of the standard finish | Blue Titanium • Burnt Bronze • Cobalt • Copper • Electrum • Frost • Golden Quartz
 Graphite Black • Midnight Bronze • Serpentine • Titanium • Tungsten
 Chromatics Available at +50% the cost of the standard finish | Burnished Aluminum • Etched Aluminum • Matte Aluminum
 Etched Graphite • Etched Black • Soft Black | Burnished Brass • Etched Brass • Soft Brass | Burnished Bronze • Etched Bronze • Soft Bronze

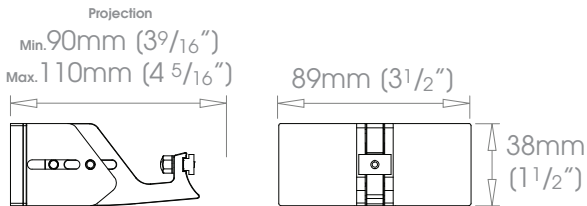
ø38mm (1 1/2")





- FINISHES**
- | | |
|---------------------|--|
| Shades ☉☉☉ | Alabaster • Barley • Bone • Burnt Ash • Charcoal • Clay • Cloud • Cocoa • Cream • Dove • Dusk • Earth • Flint • Frame Grey • Grey Moss
Lead • Millstone • Mineral • Moss • Oatmeal • Parchment • Raven • Smoke • Stone |
| Coat Options | |
| Matte ☉ | |
| Satin ☉ | |
| Gloss ☉ | |
| Metallics ☉☉ | Antique Brass • Bronzed • Champagne • Cognac • Gold • Gunmetal • Pewter • Platinum |
| Anodics | Glimmer • Glow • Midnight • Night Sky • Sky • Storm • Sunrise • Sunset • Twilight |
| Organics | Ash Stone • Iron • Obsidian • Sand Stone |
| Ceramics | <i>Available at +50% the cost of the standard finish</i> Blue Titanium • Burnt Bronze • Cobalt • Copper • Electrum • Frost • Golden Quartz
Graphite Black • Midnight Bronze • Serpentine • Titanium • Tungsten |
| Chromatics | <i>Available at +50% the cost of the standard finish</i> Burnished Aluminum • Etched Aluminum • Matte Aluminum
Etched Graphite • Etched Black • Soft Black Burnished Brass • Etched Brass • Soft Brass Burnished Bronze • Etched Bronze • Soft Bronze |

ø38mm (1 1/2")

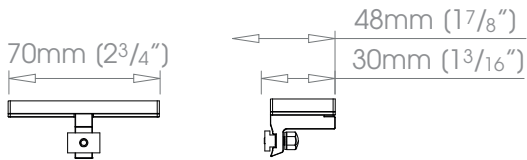


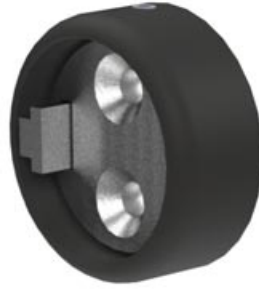


 Customised brackets available - See page 9

FINISHES Coat Options Matte  Satin  Gloss 	Shades   	Alabaster • Barley • Bone • Burnt Ash • Charcoal • Clay • Cloud • Cocoa • Cream • Dove • Dusk • Earth • Flint • Frame Grey • Grey Moss Lead • Millstone • Mineral • Moss • Oatmeal • Parchment • Raven • Smoke • Stone
	Metallics  	Antique Brass • Bronzed • Champagne • Cognac • Gold • Gunmetal • Pewter • Platinum Glimmer • Glow • Midnight • Night Sky • Sky • Storm • Sunrise • Sunset • Twilight
	Anodics 	Ash Stone • Iron • Obsidian • Sand Stone
	Organics	Available at +50% the cost of the standard finish Blue Titanium • Burnt Bronze • Cobalt • Copper • Electrum • Frost • Golden Quartz Graphite Black • Midnight Bronze • Serpentine • Titanium • Tungsten
	Ceramics	Available at +50% the cost of the standard finish Burnished Aluminum • Etched Aluminum • Matte Aluminum Etched Graphite • Etched Black • Soft Black Burnished Brass • Etched Brass • Soft Brass Burnished Bronze • Etched Bronze • Soft Bronze

ø38mm (1 1/2")

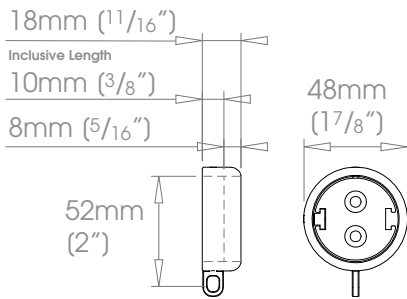


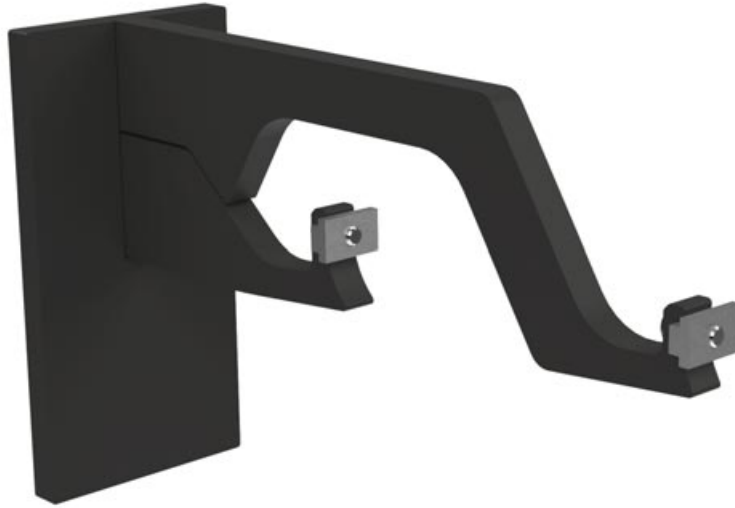


⚠ Recess brackets are not suitable for use with flush ceiling brackets

FINISHES Coat Options Matte ⊕ Satin ⊕ Gloss ⊕	Shades ⊕⊕⊕ Alabaster • Barley • Bone • Burnt Ash • Charcoal • Clay • Cloud • Cocoa • Cream • Dove • Dusk • Earth • Flint • Frame Grey • Grey Moss Lead • Millstone • Mineral • Moss • Oatmeal • Parchment • Raven • Smoke • Stone
	Metallics ⊕⊕ Antique Brass • Bronzed • Champagne • Cognac • Gold • Gunmetal • Pewter • Platinum Glimmer • Glow • Midnight • Night Sky • Sky • Storm • Sunrise • Sunset • Twilight
	Anodics ⊕ Ash Stone • Iron • Obsidian • Sand Stone
	Organics Available at +50% the cost of the standard finish Blue Titanium • Burnt Bronze • Cobalt • Copper • Electrum • Frost • Golden Quartz Graphite Black • Midnight Bronze • Serpentine • Titanium • Tungsten
	Ceramics Available at +50% the cost of the standard finish Burnished Aluminum • Etched Aluminum • Matte Aluminum Etched Graphite • Etched Black • Soft Black Burnished Brass • Etched Brass • Soft Brass Burnished Bronze • Etched Bronze • Soft Bronze
Chromatics	

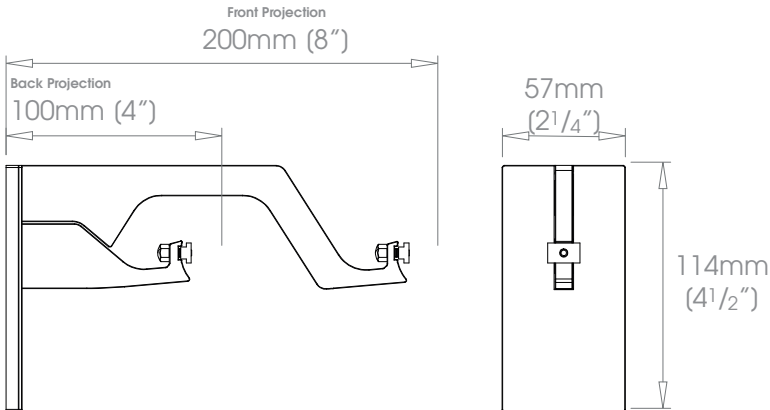
∅38mm (1 1/2")





- FINISHES** Shades @@@ Alabaster • Barley • Bone • Burnt Ash • Charcoal • Clay • Cloud • Cocoa • Cream • Dove • Dusk • Earth • Flint • Frame Grey • Grey Moss
 Lead • Millstone • Mineral • Moss • Oatmeal • Parchment • Raven • Smoke • Stone
 Coat Options **Metallics** @@@ Antique Brass • Bronzed • Champagne • Cognac • Gold • Gunmetal • Pewter • Platinum
Anodics @@@ Glimmer • Glow • Midnight • Night Sky • Sky • Storm • Sunrise • Sunset • Twilight
Organics @@@ Ash Stone • Iron • Obsidian • Sand Stone
Ceramics @@@ Available at +50% the cost of the standard finish | Blue Titanium • Burnt Bronze • Cobalt • Copper • Electrum • Frost • Golden Quartz
 Graphite Black • Midnight Bronze • Serpentine • Titanium • Tungsten
Chromatics @@@ Available at +50% the cost of the standard finish | Burnished Aluminum • Etched Aluminum • Matte Aluminum
 Etched Graphite • Etched Black • Soft Black | Burnished Brass • Etched Brass • Soft Brass | Burnished Bronze • Etched Bronze • Soft Bronze

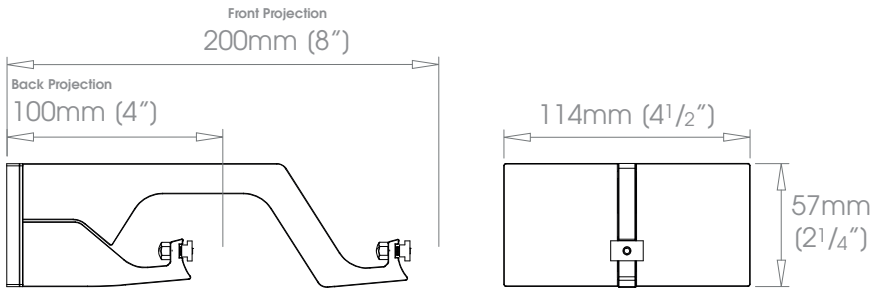
FRONT $\varnothing 38\text{mm}$ (1 1/2") BACK $\varnothing 38\text{mm}$ (1 1/2")





- FINISHES** **Shades** ☉☉☉ Alabaster • Barley • Bone • Burnt Ash • Charcoal • Clay • Cloud • Cocoa • Cream • Dove • Dusk • Earth • Flint • Frame Grey • Grey Moss
 Lead • Millstone • Mineral • Moss • Oatmeal • Parchment • Raven • Smoke • Stone
- Coat Options** **Metallics** ☉☉☉ Antique Brass • Bronzed • Champagne • Cognac • Gold • Gunmetal • Pewter • Platinum
Anodics ☉☉☉ Glimmer • Glow • Midnight • Night Sky • Sky • Storm • Sunrise • Sunset • Twilight
Organics ☉☉☉ Ash Stone • Iron • Obsidian • Sand Stone
Ceramics ☉☉☉ Available at +50% the cost of the standard finish | Blue Titanium • Burnt Bronze • Cobalt • Copper • Electrum • Frost • Golden Quartz
 Graphite Black • Midnight Bronze • Serpentine • Titanium • Tungsten
Chromatics ☉☉☉ Available at +50% the cost of the standard finish | Burnished Aluminum • Etched Aluminum • Matte Aluminum
 Etched Graphite • Etched Black • Soft Black | Burnished Brass • Etched Brass • Soft Brass | Burnished Bronze • Etched Bronze • Soft Bronze

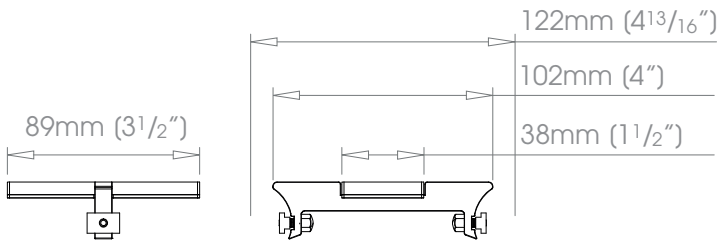
FRONT $\varnothing 38\text{mm}$ (1 1/2") BACK $\varnothing 38\text{mm}$ (1 1/2")





- FINISHES** **Shades** ☉☉☉ Alabaster • Barley • Bone • Burnt Ash • Charcoal • Clay • Cloud • Cocoa • Cream • Dove • Dusk • Earth • Flint • Frame Grey • Grey Moss
 Lead • Millstone • Mineral • Moss • Oatmeal • Parchment • Raven • Smoke • Stone
- Coat Options** **Metallics** ☉☉☉ Antique Brass • Bronzed • Champagne • Cognac • Gold • Gunmetal • Pewter • Platinum
- Matte** ☉ **Anodics** ☉☉☉ Glimmer • Glow • Midnight • Night Sky • Sky • Storm • Sunrise • Sunset • Twilight
- Satin** ☉ **Organics** Ash Stone • Iron • Obsidian • Sand Stone
- Gloss** ☉ **Ceramics** Available at +50% the cost of the standard finish | Blue Titanium • Burnt Bronze • Cobalt • Copper • Electrum • Frost • Golden Quartz
 Graphite Black • Midnight Bronze • Serpentine • Titanium • Tungsten
- Chromatics** Available at +50% the cost of the standard finish | Burnished Aluminum • Etched Aluminum • Matte Aluminum
 Etched Graphite • Etched Black • Soft Black | Burnished Brass • Etched Brass • Soft Brass | Burnished Bronze • Etched Bronze • Soft Bronze

FRONT $\varnothing 38\text{mm}$ (1 1/2") BACK $\varnothing 38\text{mm}$ (1 1/2")



CONTACT

www.bradleycollection.com



UK & REST OF THE WORLD

☎ +44 (0)1449 722 724

✉ info@bradleycollection.com

USA & CANADA

☎ +1 (310) 815 8255

✉ info.us@bradleycollection.com

LONDON SHOWROOM

☎ +44 (0)207 871 7793

✉ showroom@studiotwochelsea.com

THE BRADLEY COLLECTION



Industry Partner

Supporting the interior design profession

CEDIA
MEMBER

Specialised fixings for mounting brackets will be required in certain situations and are not provided as standard. Steel items are not recommended for damp conditions such as shower rooms. Crystal finials should not be positioned in direct sunlight, and are not suitable for use in conservatories.

The Bradley Collection reserves the right to modify design and materials without prior notice as part of a process of continual product improvement. Due to printing limitations, colours in this brochure may not be accurate.

Products are protected by Design Rights, under provisions of Copyright, Designs & Patents Act 1988. Bradley® and The Bradley Collection® are registered Community trademarks of The Bradley Collection Ltd. in Europe and registered trademarks of the Bradley Collection, Inc. in the USA. Gliderpole is a registered trademark of The Bradley Collection Ltd in the UK.

The Bradley Collection Ltd Lion Barn • Maitland Road • Needham Market • Suffolk • IP6 8NS • UK
The Bradley Collection Inc 10866 Washington Blvd #1275 • Culver City • CA 90232 • USA

Published: 1125 • Copyright © The Bradley Collection Ltd. 2025